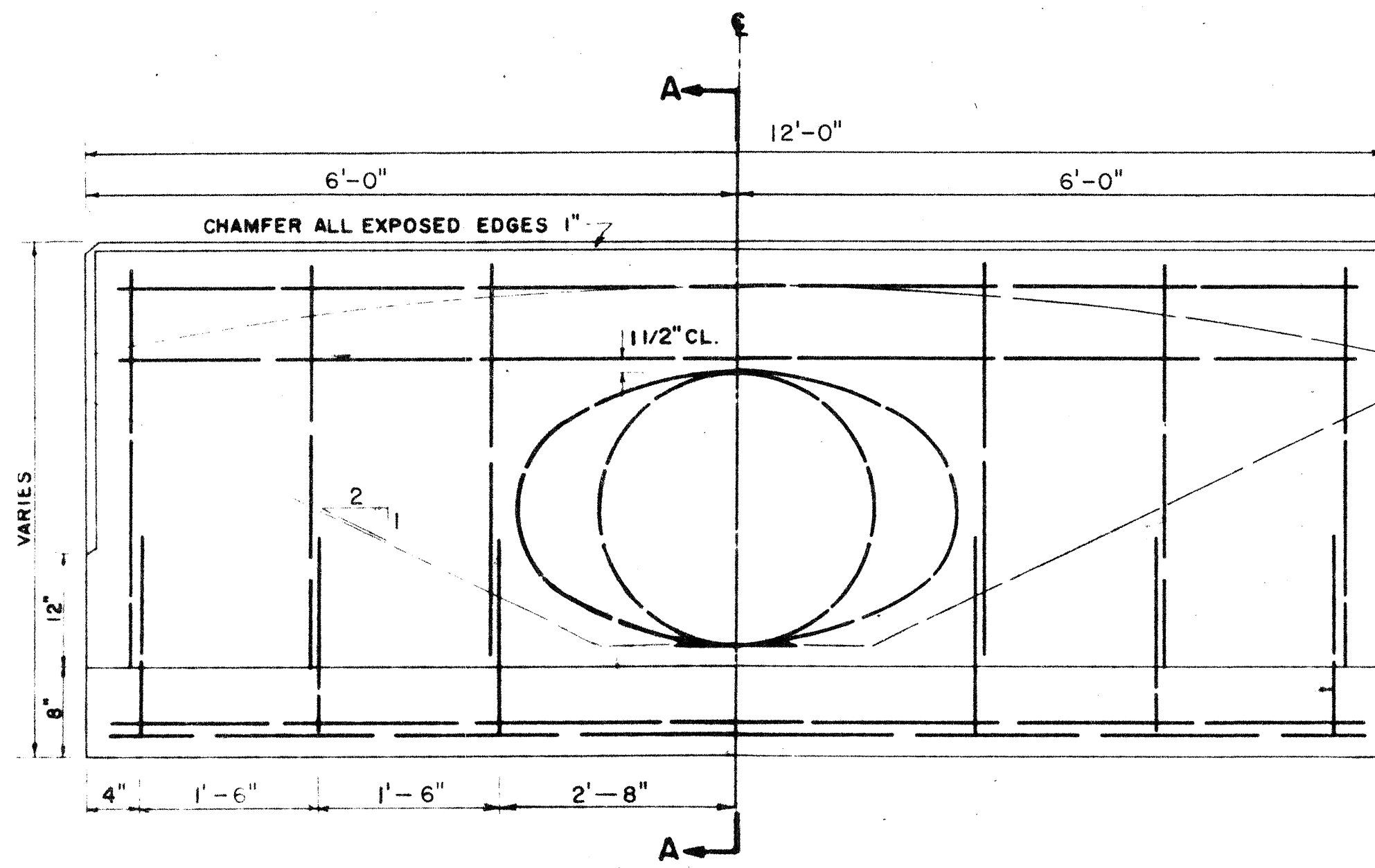
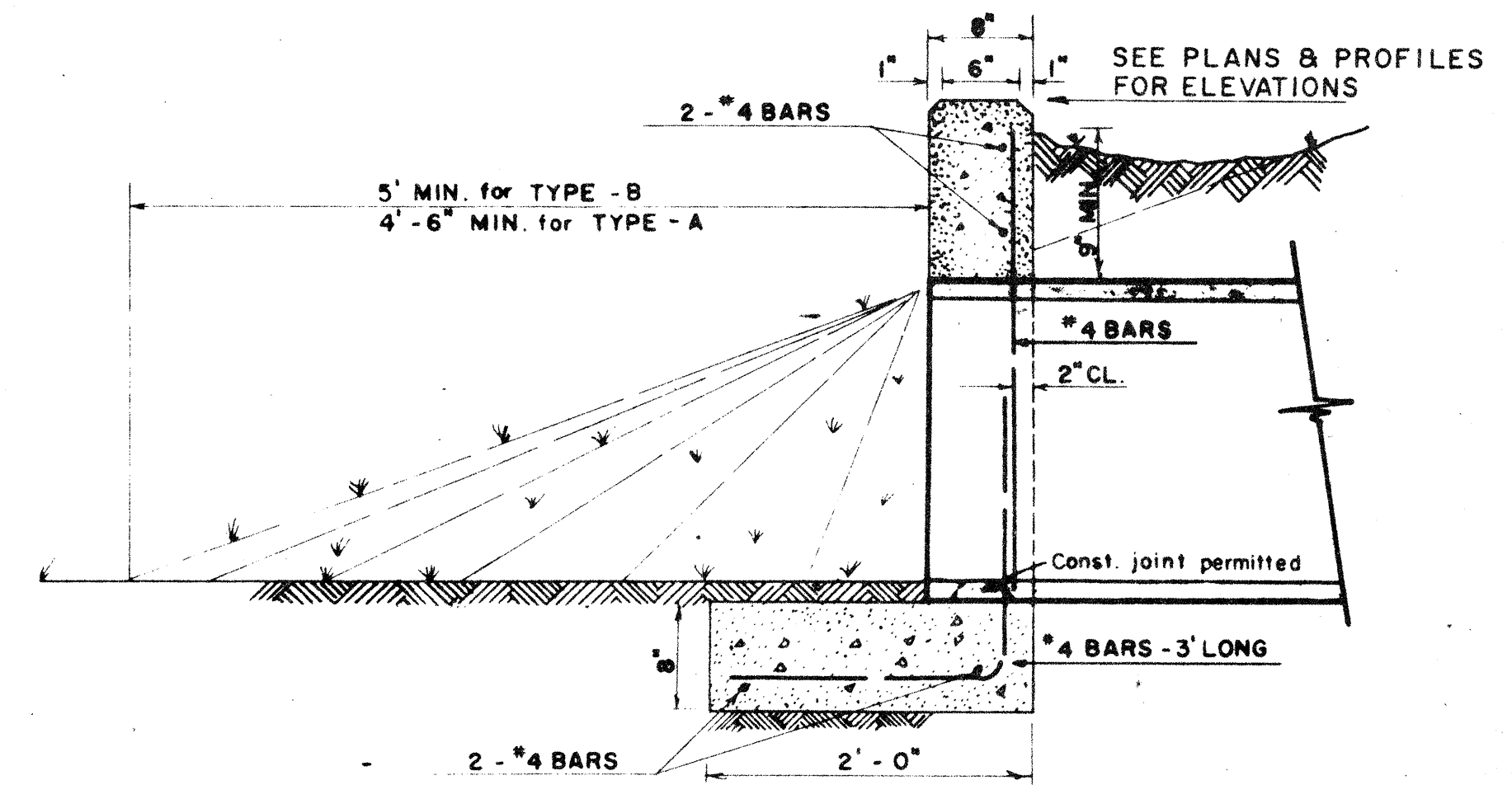


PLAN



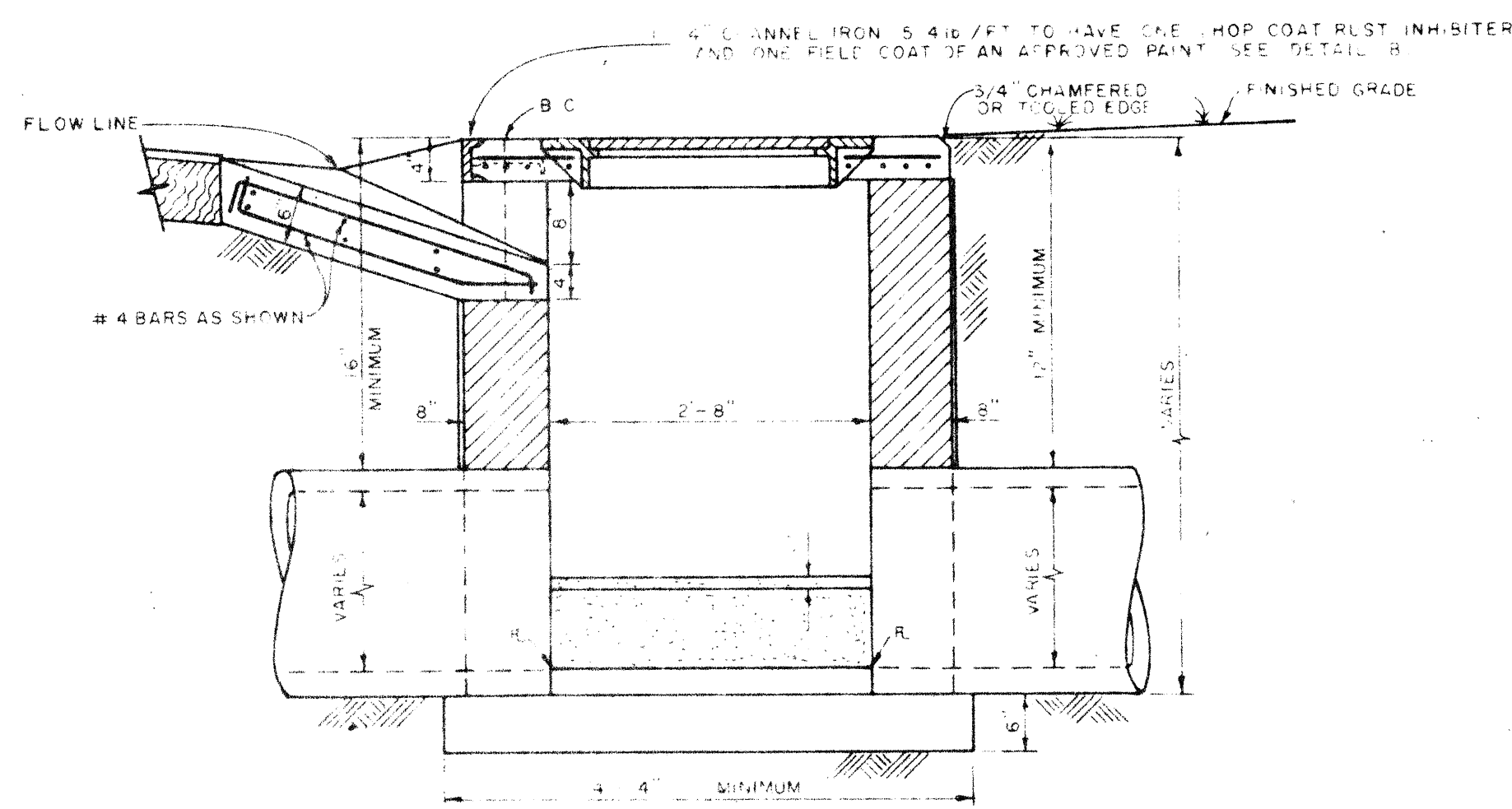
TYPE B

FOR PIPE 18" AND UP  
NOT TO SCALE

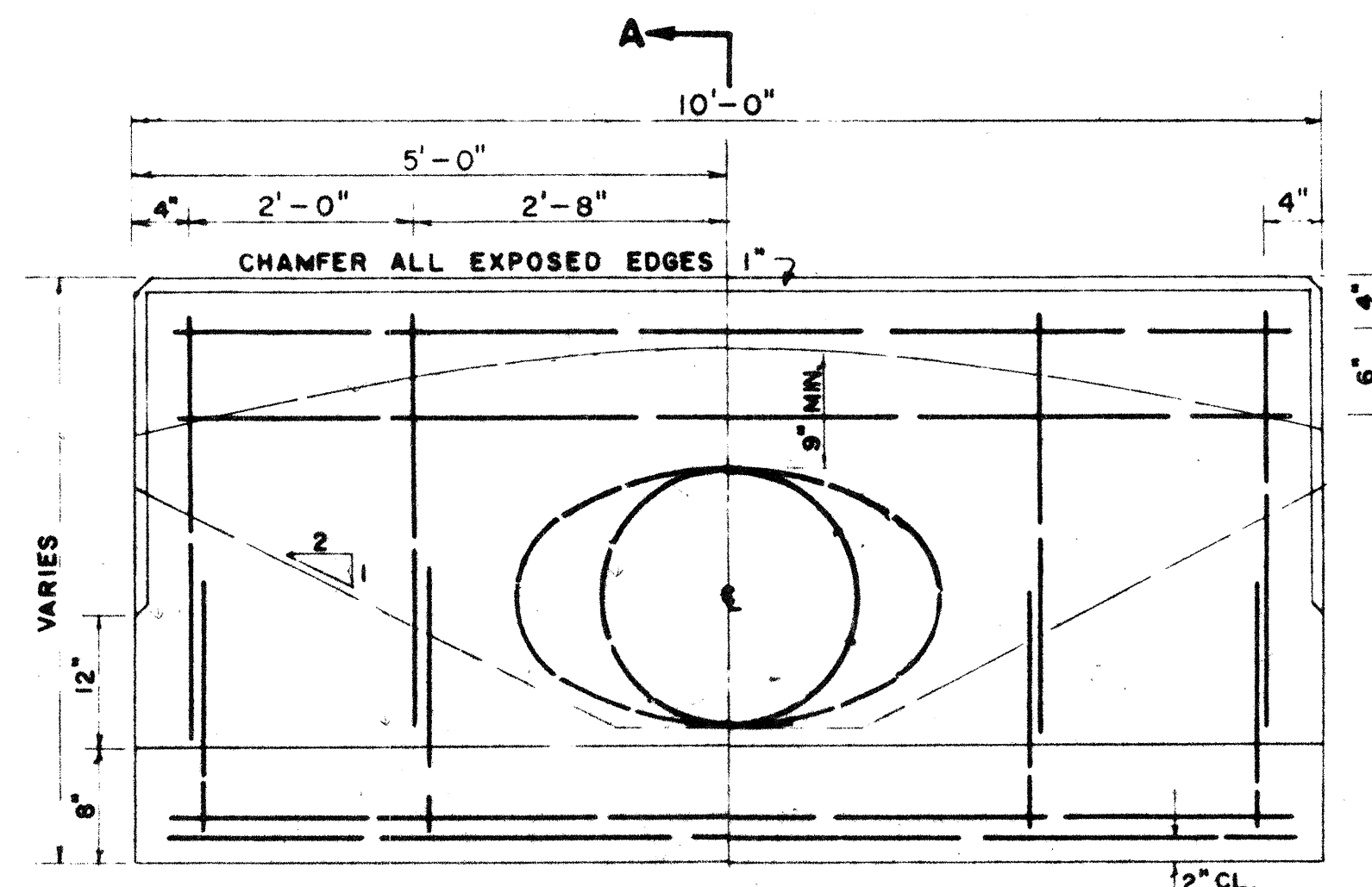


SECTION A-A

SCALE: 1" = 1'-0"

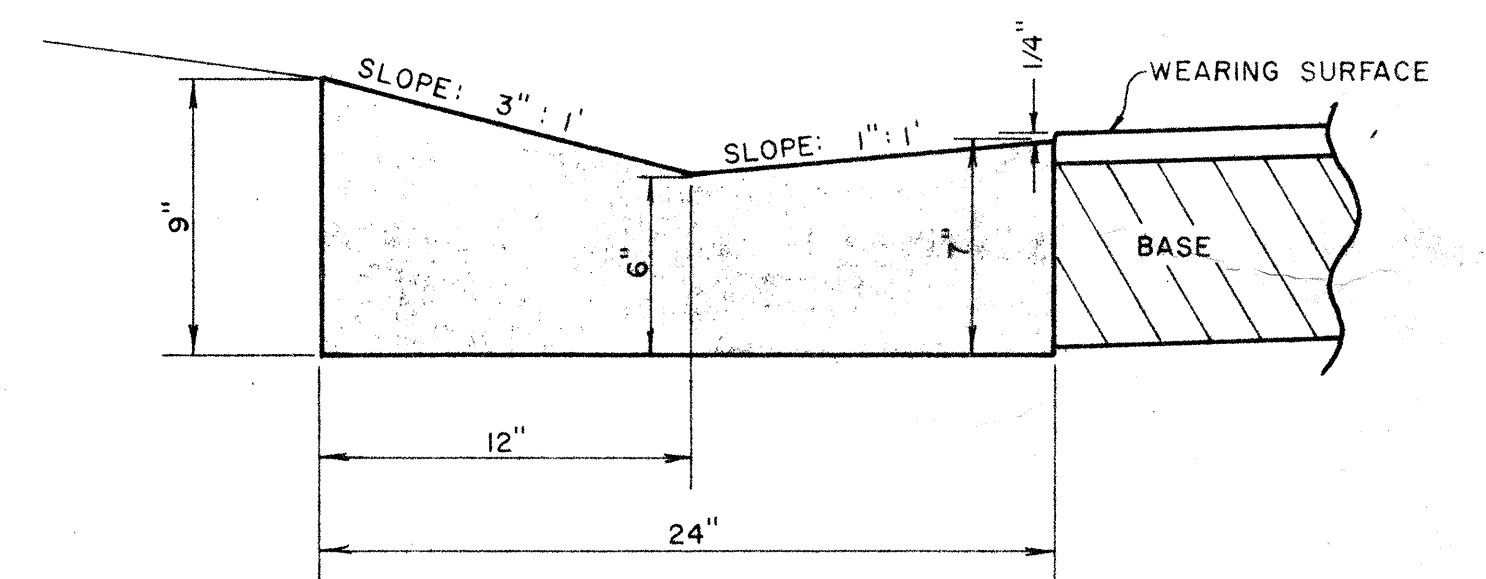


SECTION D-D



TYPE A

FOR PIPE UP TO 18" DIA.  
NOT TO SCALE

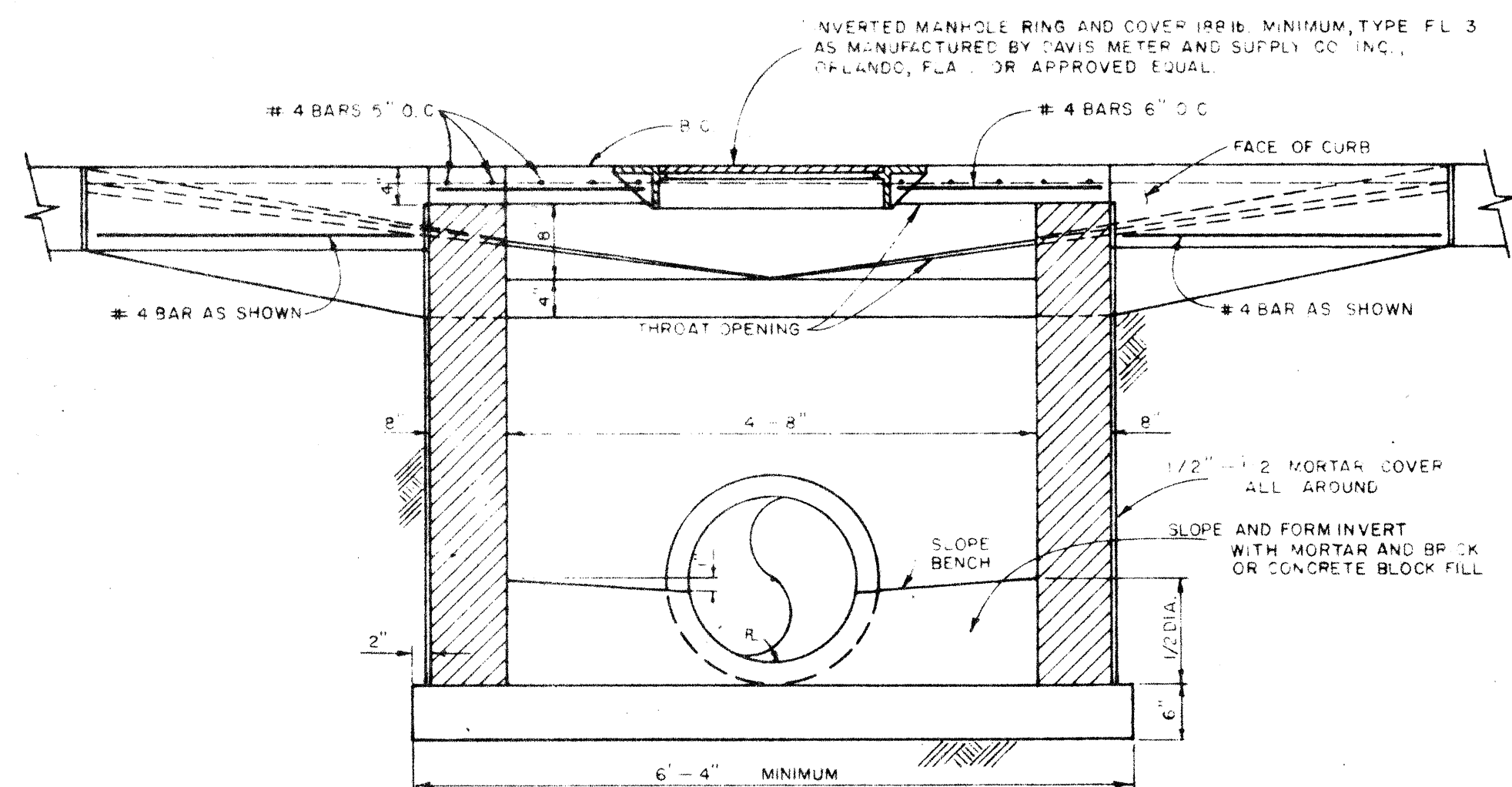


STANDARD VALLEY GUTTER

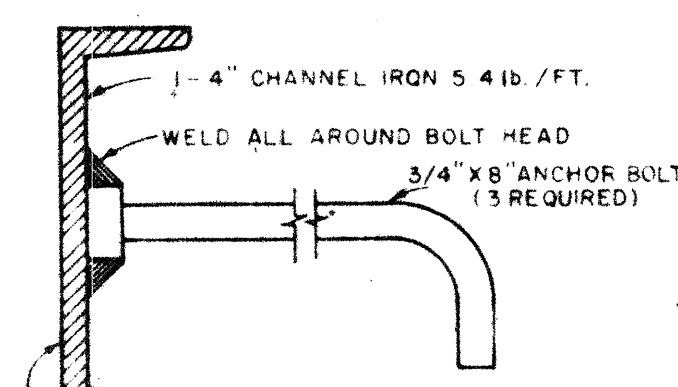
NOT TO SCALE

CONSTRUCTION NOTES

- 3000 P.S.I. CONCRETE AT 28 DAYS SHALL BE USED THROUGHOUT.
- REINFORCING STEEL SHALL BE INTERMEDIATE GRADE NEW BILLET WITH DEFORMATIONS CONFORMING TO ASTM A-305-53-T ALL STEEL SHALL BE 1-1/2" CLEAR UNLESS OTHERWISE NOTED.
- CONCRETE BRICKS SHALL CONFORM TO A.S.T.M. C-55-55 AND SHALL BE LAID WITH 1 TO 2 MORTAR.
- CONCRETE BLOCKS MAY BE USED AS AN ALTERNATIVE FOR TYPE A INLETS, PROVIDED BLOCKS CONFORM TO A.S.T.M. C-139-39 AND LAID WITH 1 TO 3 MORTAR AND POURED SOLID WITH CONCRETE.
- CULVERT FLOW LINE (FL) BACK OF CURB (B.C.) TOP OF GRATE (T.G.) AND HEADWALL ELEVATIONS SHALL BE DETERMINED BY THE ENGINEER.
- SOD ALL DITCHES A MINIMUM OF 10' FEET UPSTREAM AND DOWNSTREAM OF ALL HEADWALLS.



SECTION C-C  
CATCH BASIN TYPE B



DETAIL B  
NOT TO SCALE

REVISIONS		SCALE	DATE	FOR
LTR.	DESCRIPTION, DATE AND BY	AS SHOWN	8-30-71	HERB FIELD LONGBOAT KEY, FLORIDA
	DESIGNED BY L.D.L.	DRAWN BY T.L.E.		CONSTRUCTION DETAILS RECLINATA DRIVE LONGBOAT KEY, FLORIDA
	CHECKED BY			
	APPROVED BY:			SMALLY-WELLFORD & NALVEN CONSULTING ENGINEERS - SARASOTA, FLORIDA
	DONALD J. SMALLY, PE FLA CERT No 5051	PROJECT NO. 1359	DRAWING NUMBER E-1359	REVISION 5