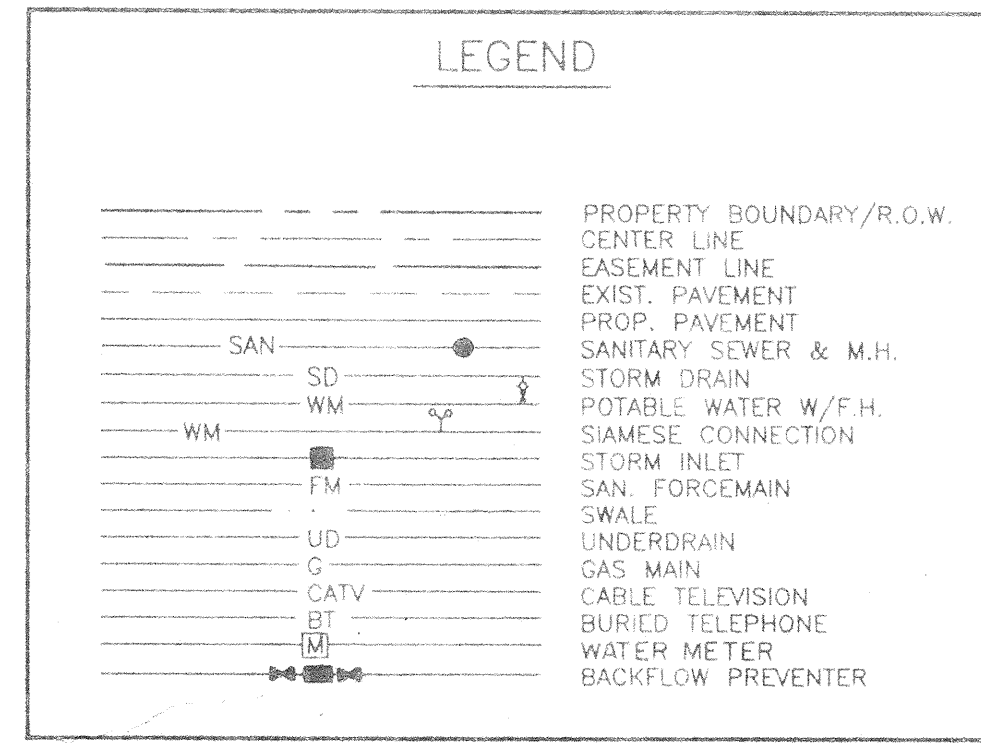
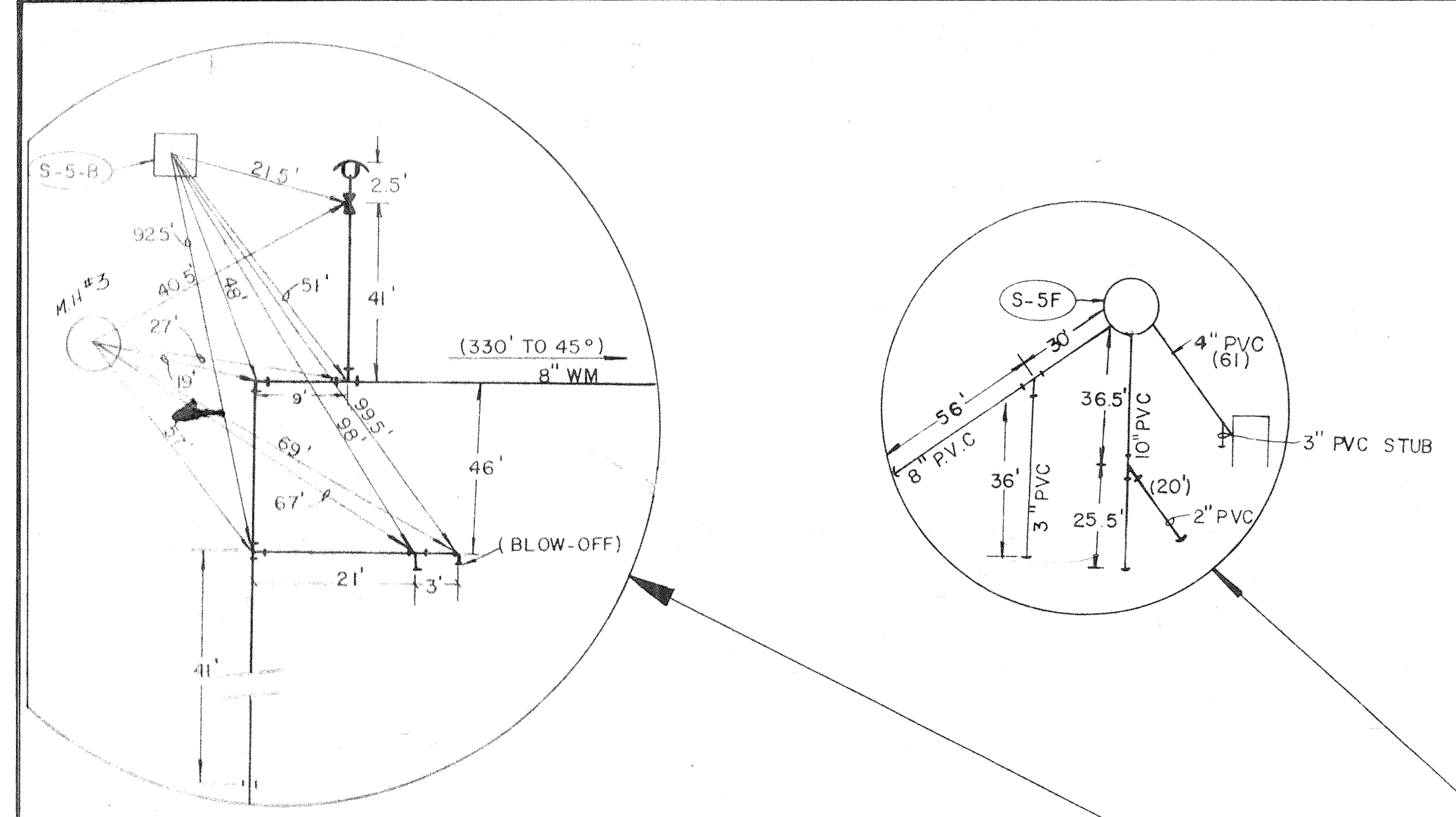
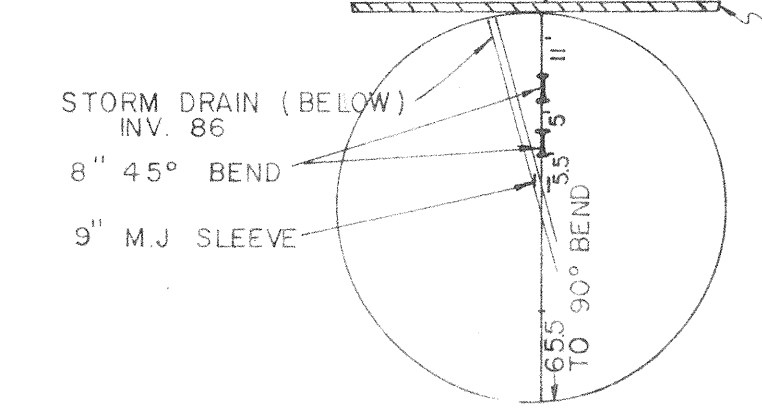
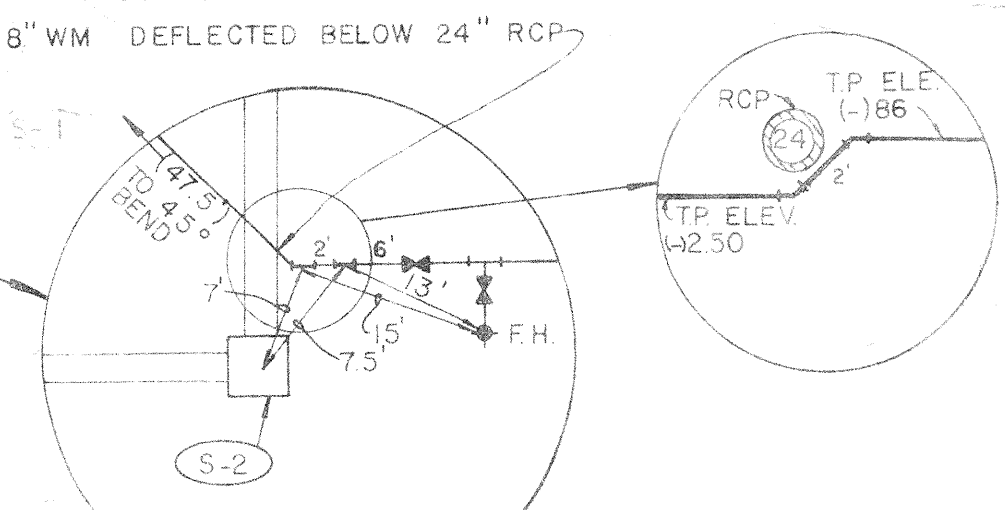
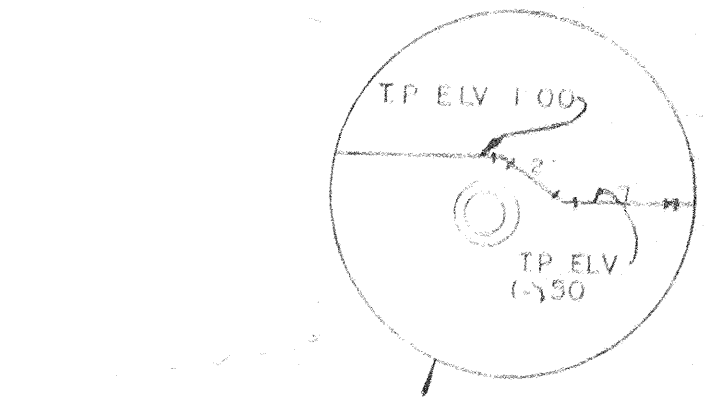
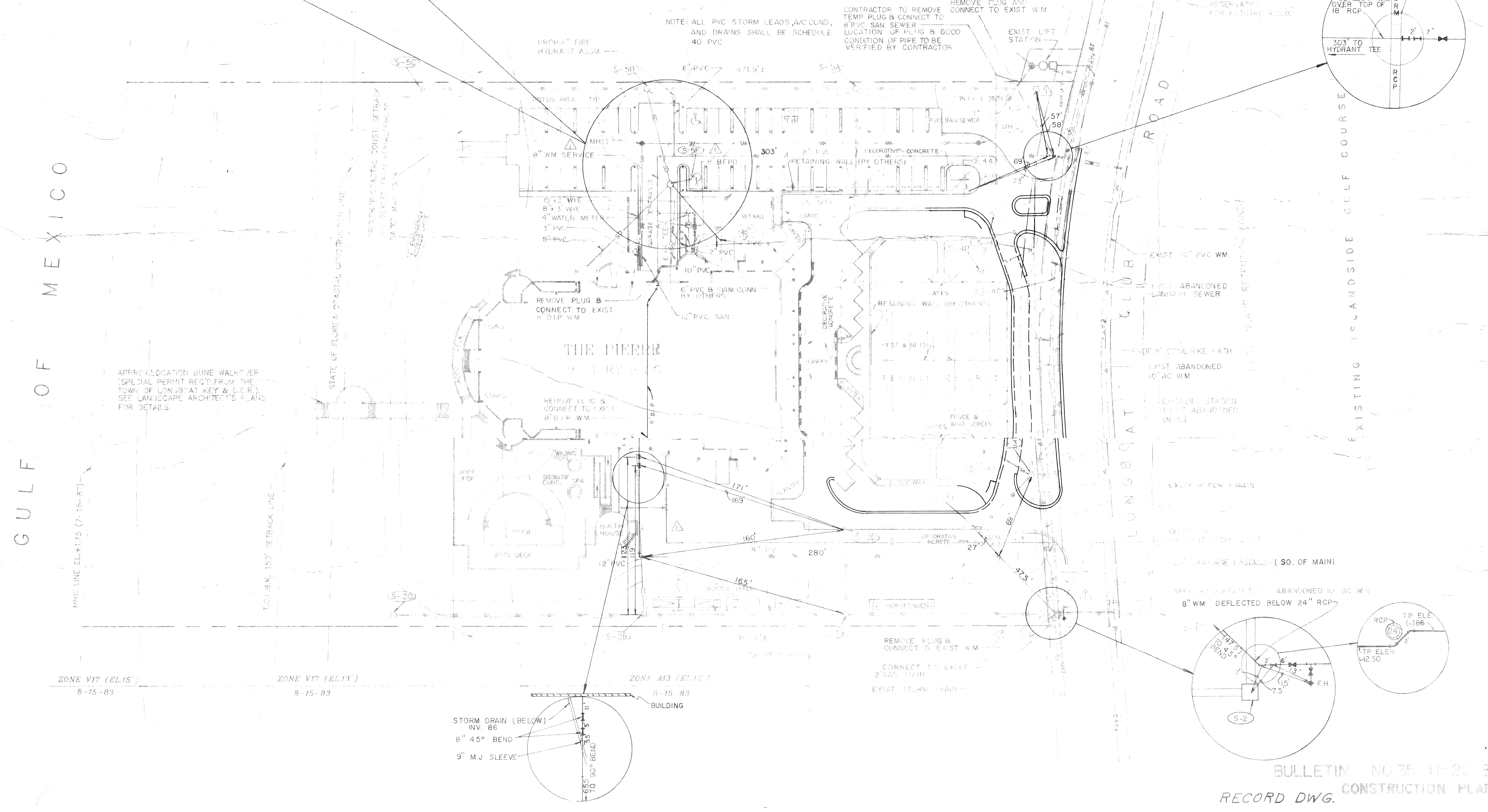


SANITARY SEWER AS-BUILTS

STR. NO	TYPE	RIM EL.	INV IN	INV OUT	FROM-TO	LENGTH	SIZE AND TYPE	GRADE
EXIST.	M.H.	6.11			LIFT STA-MH2	76 LF	8" PVC	
M.H.2	M.H.	6.11	-6.24	-6.28	MH2-MH3	261 LF	8" PVC	.96%
M.H.3	M.H.	5.17	-1.93	-3.73				



THE SANCTUARY



BULLETIN NO 75 11-20-89
 RECORD DWG. CONSTRUCTION PLANS

TOWN OF LONGBOAT KEY, FLORIDA
 LONGBOAT ASSOCIATES, INC.
 THE PIERRE
 RECORD DRAWING
 BISHOP & ASSOCIATES - 78 SARASOTA CENTER BLVD. SARASOTA, FL. 34240 (813) 371-6362

DESIGNED BY: PROJECT ENGINEER
 DATE: AUG. 03
 SCALE: 1"=40'
 DRAWN BY: CHECKED BY: R.M.C.
 LTR. DATE: REVISION: BY: SHEET NUMBER SHCA-0001AB

ENGINEER & LOCATION: T.L.K. FILE NO. 1PIERRE (THE)