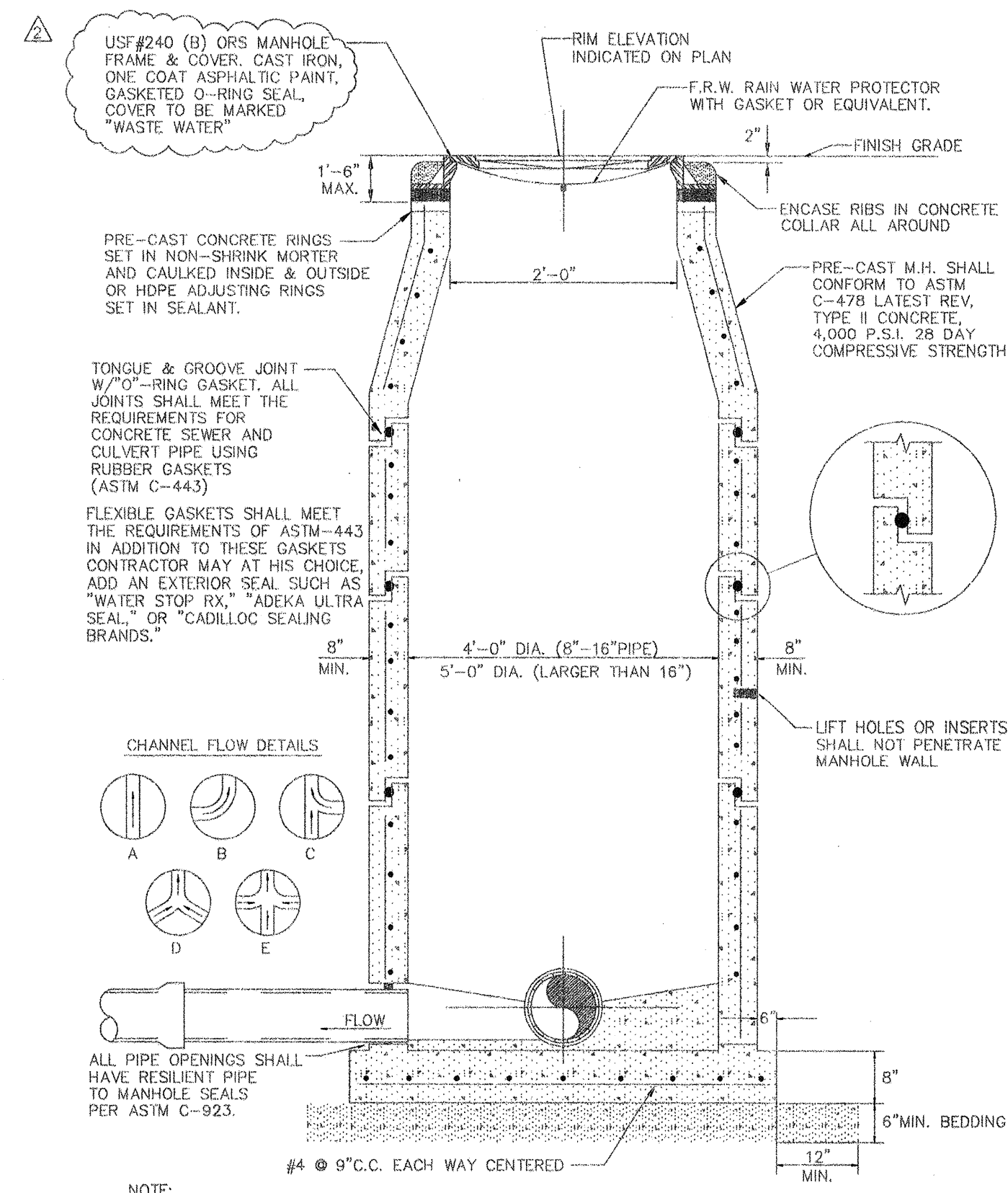
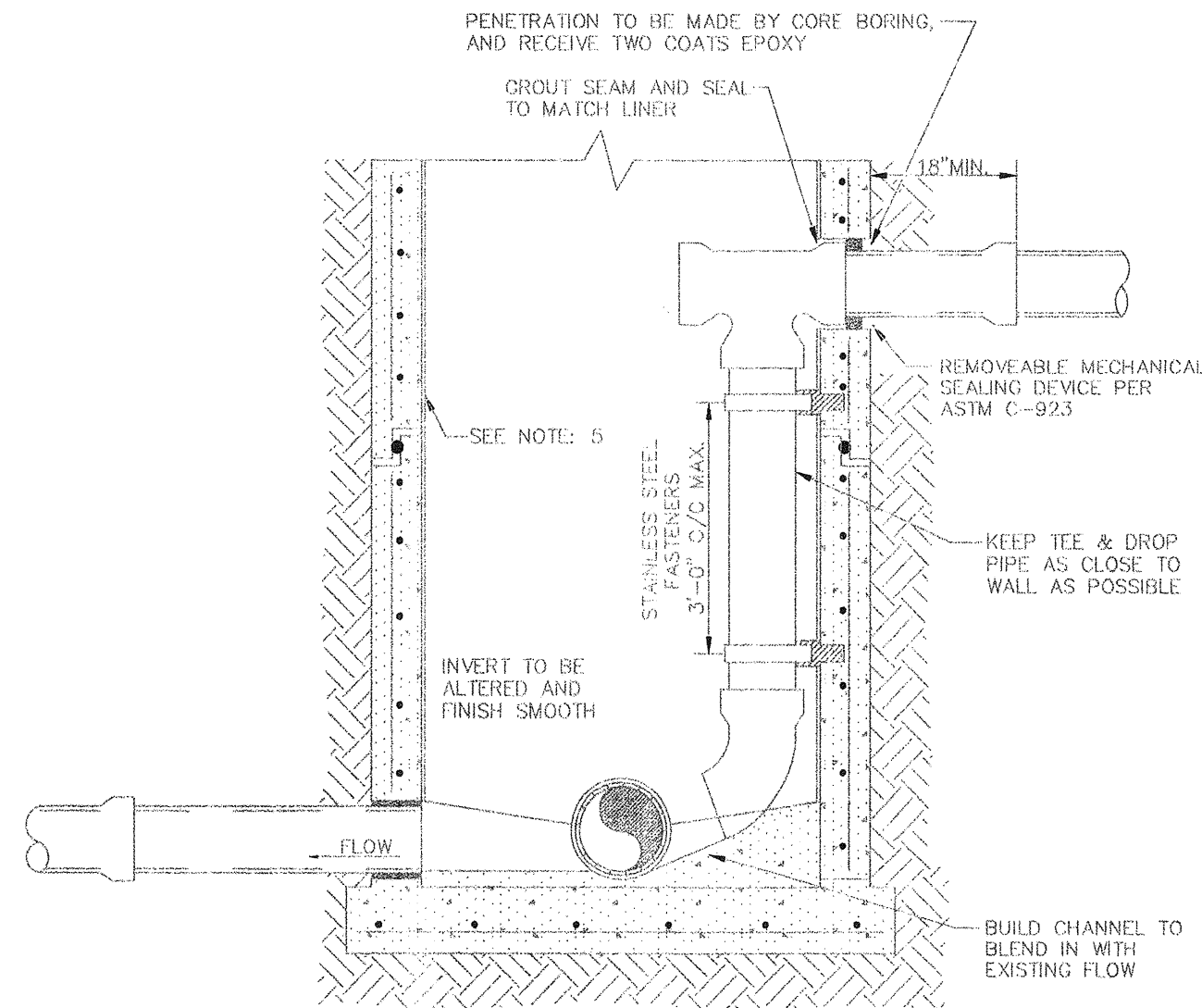


RECORD SURVEY

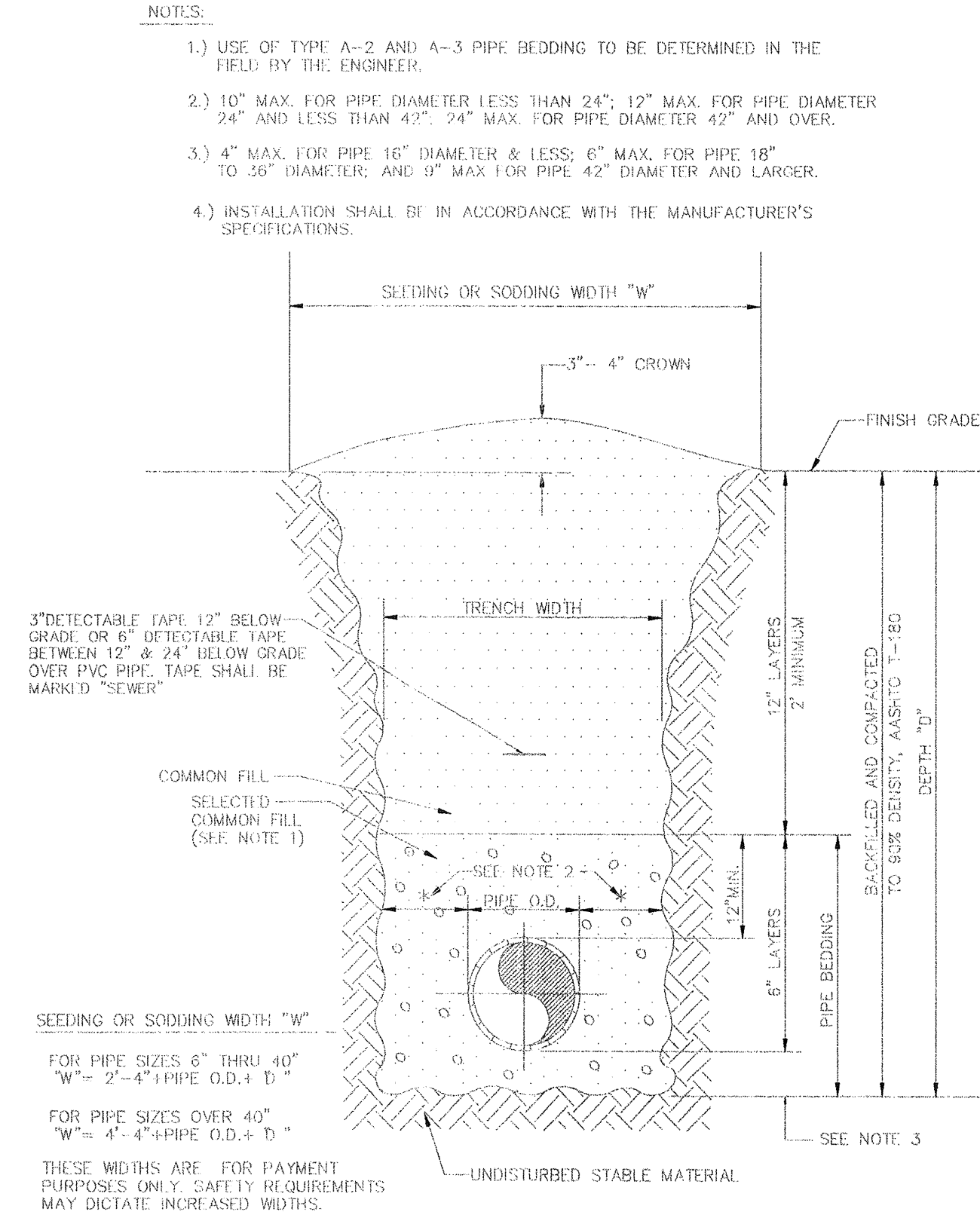


STANDARD PRE-CAST
SANITARY SEWER MANHOLE
FOR UNDISTURBED FLOW



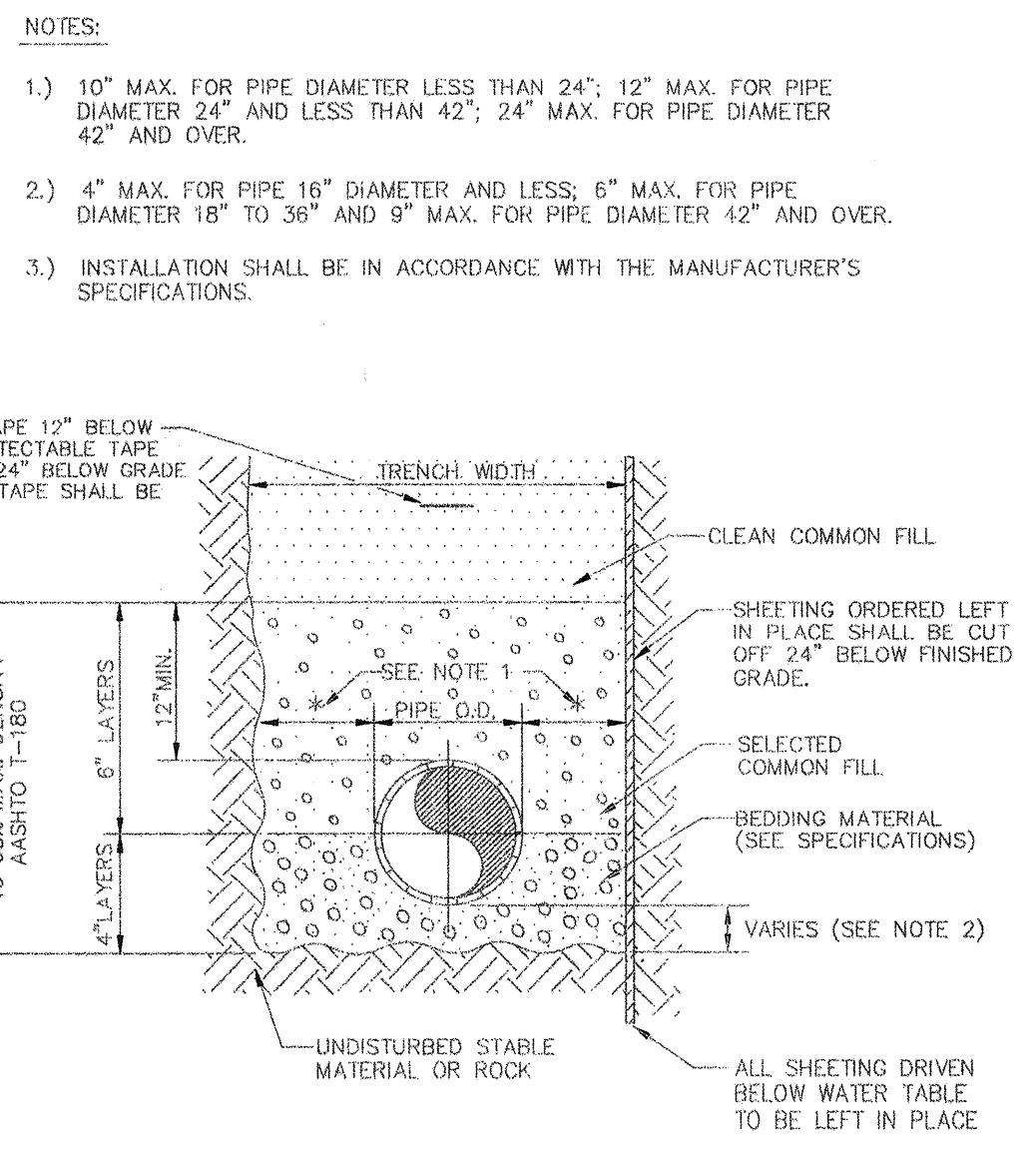
- NOTES:
1. ALL PIPING ENTERING EXISTING STRUCTURES SHALL BE ACCOMPLISHED BY MECHANICAL ROTARY CORE BORING THE MANHOLE RISER. AFTER INSTALLATION OF PIPING, ALL PIPE OPENINGS SHALL HAVE RESILIENT PIPE TO MANHOLE SEALS PER ASTM C-923.
 2. PVC PIPE AND FITTINGS SHALL BE ASTM D-3034 SDR 26.
 3. ALL FERROUS MATERIALS SHALL BE FULLY COATED IN AND OUT WITH 2 COATS OF KOPPER'S 300-W EPOXY OR EQUAL 8 MILS DFT. TOGETHER WITH THE PENETRATION THROUGH THE STRUCTURE WALL, STAINLESS STEEL SHALL NOT BE COATED.
 4. ADAPTERS CONNECTING DIFFERENT PIPING MUST BE MANUFACTURED FOR THIS PURPOSE. SUBMIT DETAILS TO ENGINEER FOR APPROVAL.
 5. THIS IS AN INTERCEPT MANHOLE AND MUST BE LINED WITH APPROVED LINER (SEE DETAIL US-34).
 6. INSIDE DROP MANHOLES ARE REQUIRED WHEN THE VERTICAL DISTANCE BETWEEN THE LOWEST EXISTING MANHOLE INVERT AND THE HIGHEST PIPE INVERT IS 2'-0" OR GREATER.

GRAVITY INSIDE-DROP
FOR RETROFIT OF
EXISTING MANHOLE

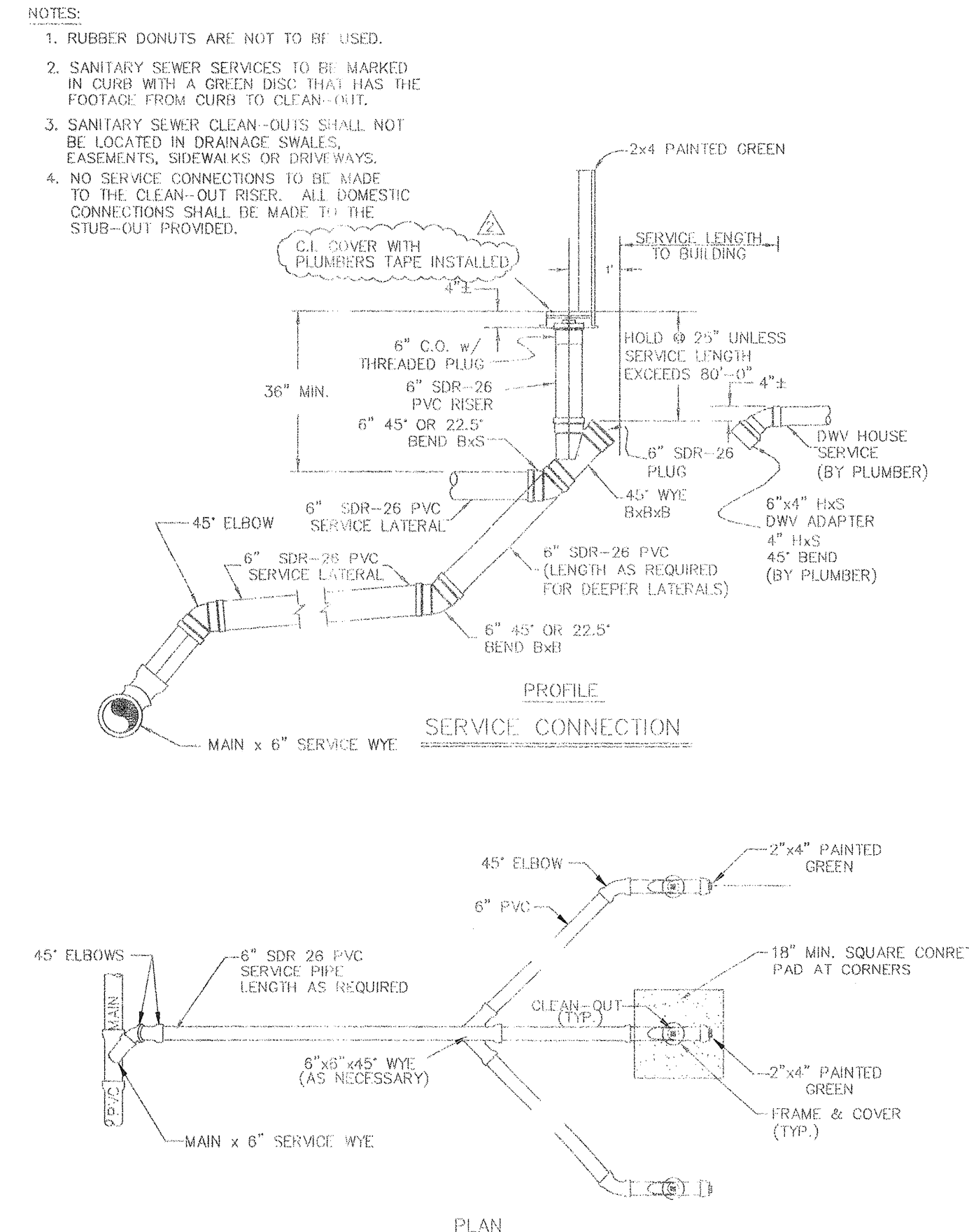


- NOTES:
- 1.) USE OF TYPE A-2 AND A-3 PIPE BEDDING TO BE DETERMINED IN THE FIELD BY THE ENGINEER.
 - 2.) 10" MAX. FOR PIPE DIAMETER LESS THAN 24"; 12" MAX. FOR PIPE DIAMETER 24" AND LESS THAN 42"; 24" MAX. FOR PIPE DIAMETER 42" AND OVER.
 - 3.) 4" MAX. FOR PIPE 16" DIAMETER AND LESS; 6" MAX. FOR PIPE 18" TO 26" DIAMETER; AND 9" MAX FOR PIPE 42" DIAMETER AND LARGER.
 - 4.) INSTALLATION SHALL BE IN ACCORDANCE WITH THE MANUFACTURER'S SPECIFICATIONS.

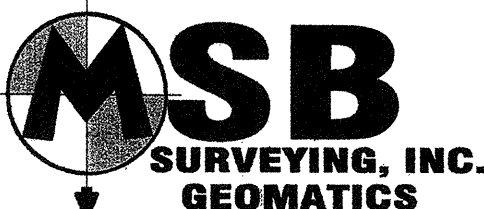
TRENCH DETAIL
UNIMPROVED SURFACE
TYPE A-1 PIPE BEDDING



TRENCH DETAIL
TYPE A-2 PIPE BEDDING



SINGLE AND DOUBLE
SERVICE CONNECTION
DETAILS



40 SARASOTA CENTER BOULEVARD, UNIT H
SARASOTA, FLORIDA 34240
PHONE NO.: (941) 341-9935
CERTIFICATE OF AUTHORIZATION NO. L.B. 7044

REPORT OF SURVEY

ACCURACY:
VERTICAL: FIELD-MEASURED CONTROL FOR VERTICAL DATA SHOWN HEREON ARE BASED ON A LEVEL LOOP. CLOSURE IN FEET EXCEEDS A STANDARD OF PLUS OR MINUS 0.05 TIMES THE SQUARE ROOT OF THE DISTANCE IN MILES.

DATA SOURCE:
1. CONSTRUCTION PLANS IN AUTOCAD FORMAT FURNISHED BY CONSUL-TECH DEVELOPMENT SERVICES, INC.
2. BOUNDARY SURVEY BY MSB SURVEYING, INC.
3. NO OTHER INFORMATION WAS RESEARCHED OR FURNISHED.

NOTES:
1. THIS MAP REPRESENTS A UTILITY RECORD SURVEY RELATIVE TO THE CONSTRUCTION PLAN FOR POSITANO, BY CONSUL-TECH DEVELOPMENT SERVICES, INC. RECORD DATA IS OVERLAID ONTO CONSTRUCTION PLANS IN AUTOCAD FORMAT. ALL GRAY SCALE DATA IS FOR REFERENCE ONLY & IS NOT A PART OF THIS SURVEY.
2. ELEVATIONS SHOWN HEREON ARE IN FEET AND DECIMALS REFERENCED TO NGVD 1929 AND ARE BASED ON DNR (SURVEY MARK) MONUMENT R-62A (RESET 1985) PUBLISHED ELEVATION=8.52 N.G.V.D. 1929.
3. UTILITY RECORD SURVEY IS NOT VALID UNLESS ALL SHEETS AS DICTATED BY THE COVER SHEET ARE PRESENT.

I, the undersigned Professional Engineer, hereby certify that the best of my knowledge and belief, and based on the certification provided by the surveyor of record, the improvements depicted hereon have been constructed in substantial compliance with the approved plans. The undersigned engineer is not certifying the accuracy of the drawing prepared by the surveyor.

Engineer's Signature
Date 2/21/07

DATE: 9/27/03 REVISIONS: 1. 3/20/03 2. 12/14/04 3. 05/14/04	POSITANO Project No. 03020440 LONGBOCAT KEY, FLORIDA SECTION 36, TOWNSHIP 36 S., RANGE 16 E.	SANITARY DETAILS	
REVISIONS: 1. 3/20/03 2. 12/14/04 3. 05/14/04	SCALE: 1"=40' DATE: 2/21/07	SHEET: S-002 TOTAL SHEETS: 3-002-DETAILS	SHEET: C115