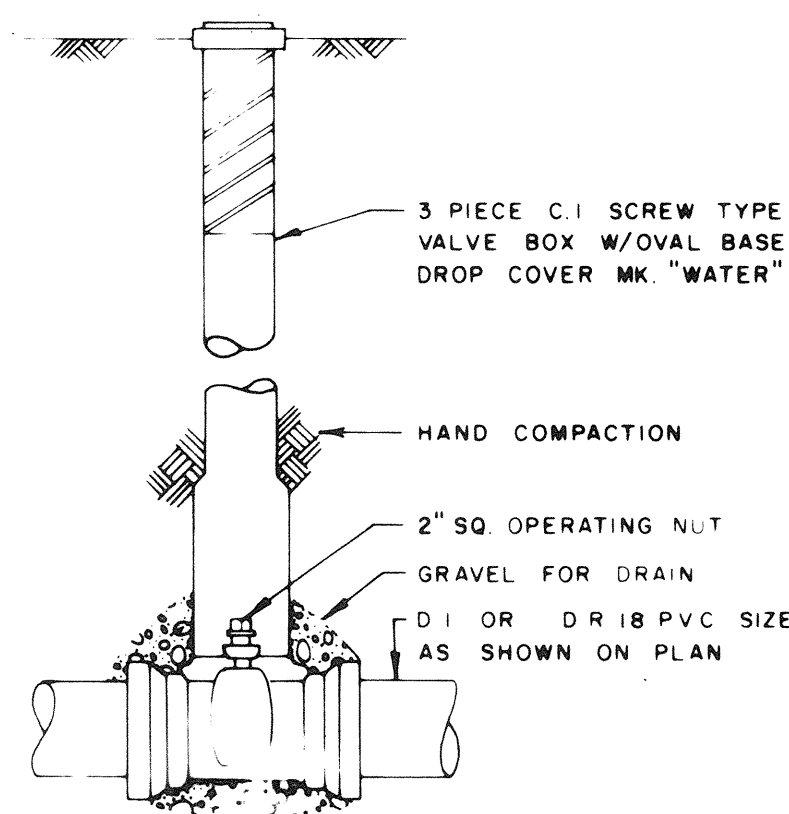
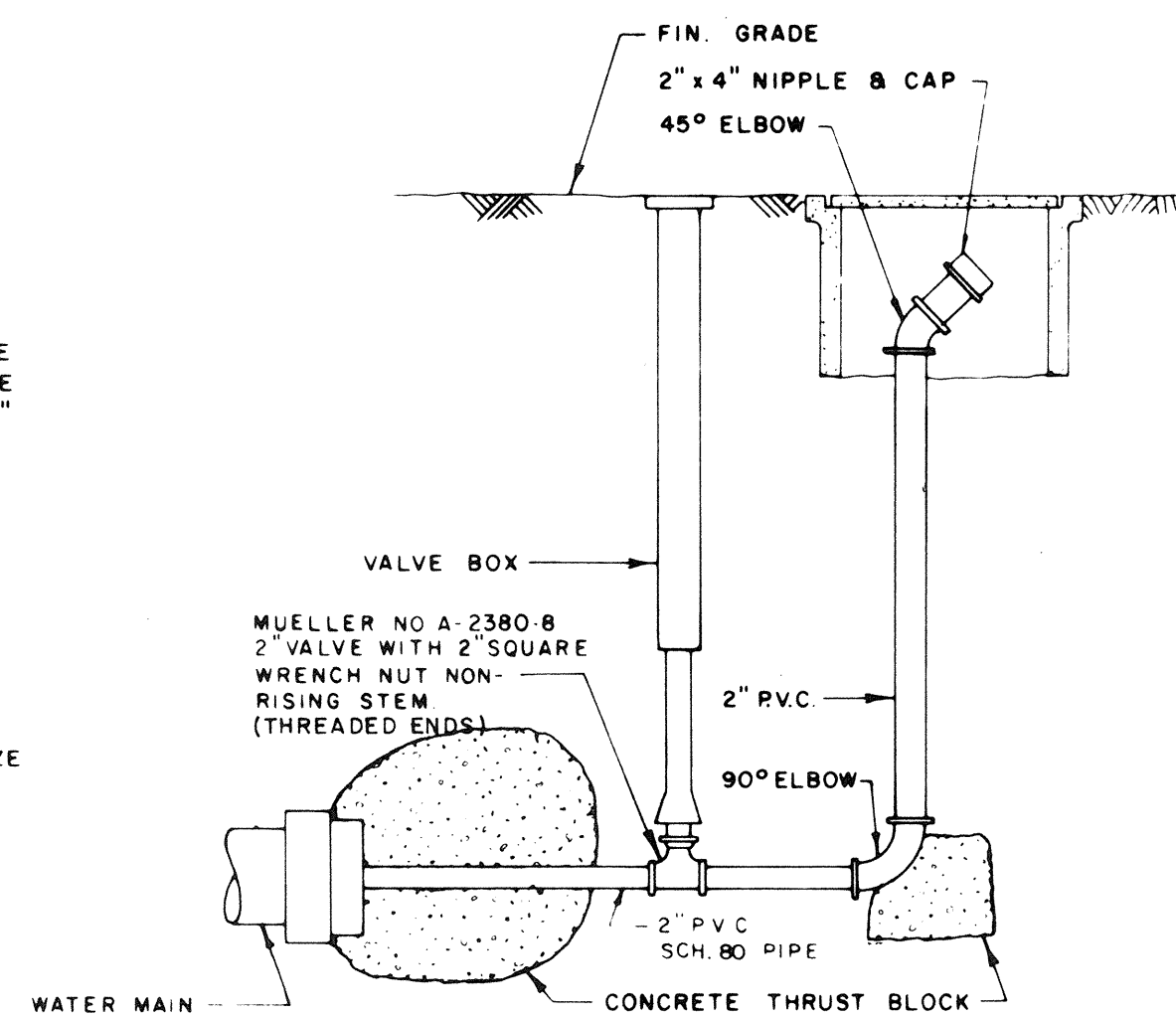


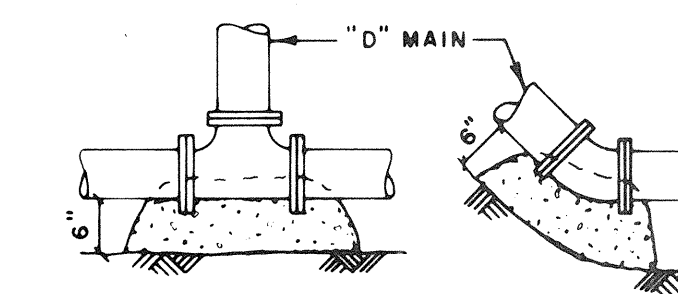
**TYPICAL METERED SERVICE DETAILS**  
NO SCALE



**VALVE DETAIL**  
NO SCALE

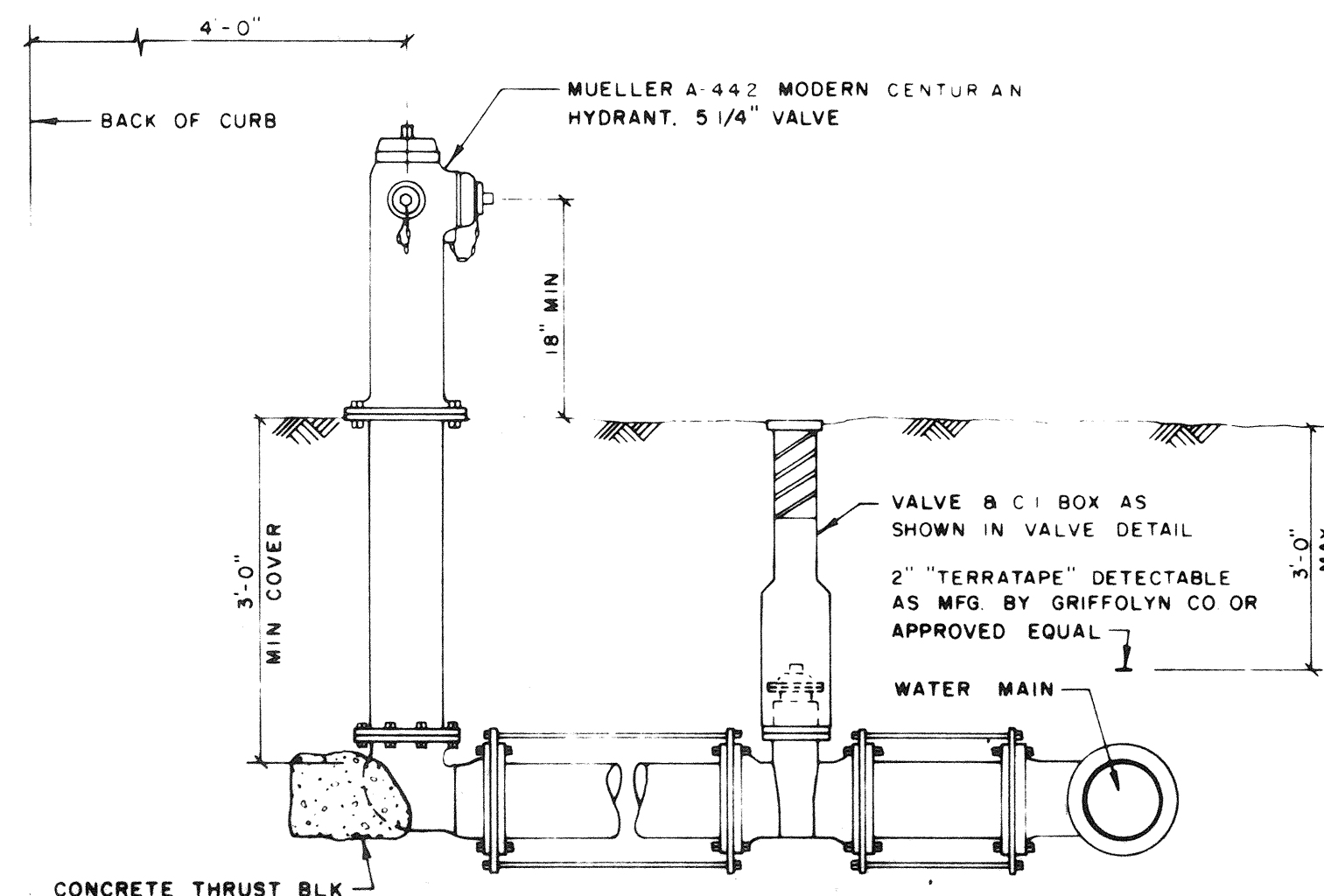


**TYPICAL BLOWOFF DETAIL**  
NO SCALE

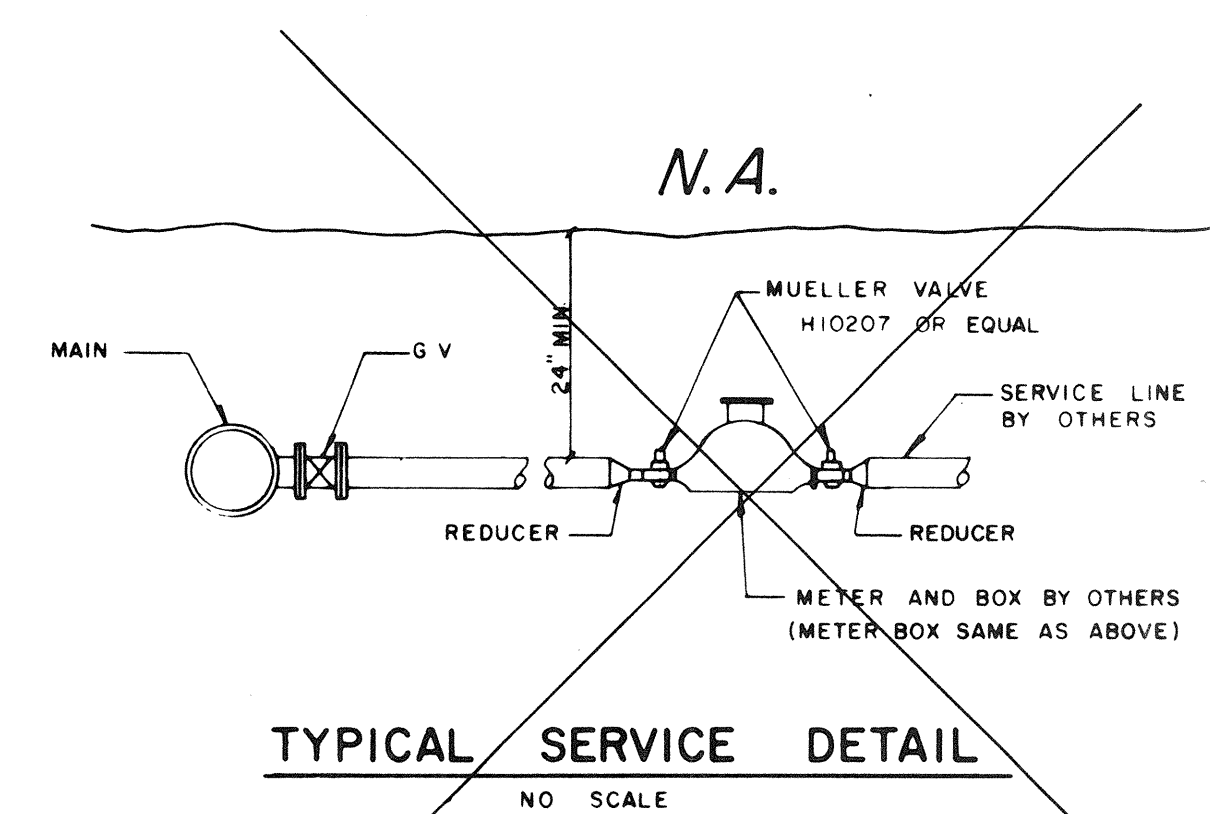


THRUST BLOCK AREAS IN SQ. FT.				
SIZE	TEE	90° BEND	45° BEND	22 1/2° BEND
4"	1.5	2.0	1.0	1.0
6"	4.0	5.5	3.0	1.5
8"	7.0	10.0	5.0	3.0
10"	10.0	14.0	7.0	5.0

**WATER MAIN THRUST BLOCKS**



**TYPICAL FIRE HYDRANT DETAIL**  
NO SCALE

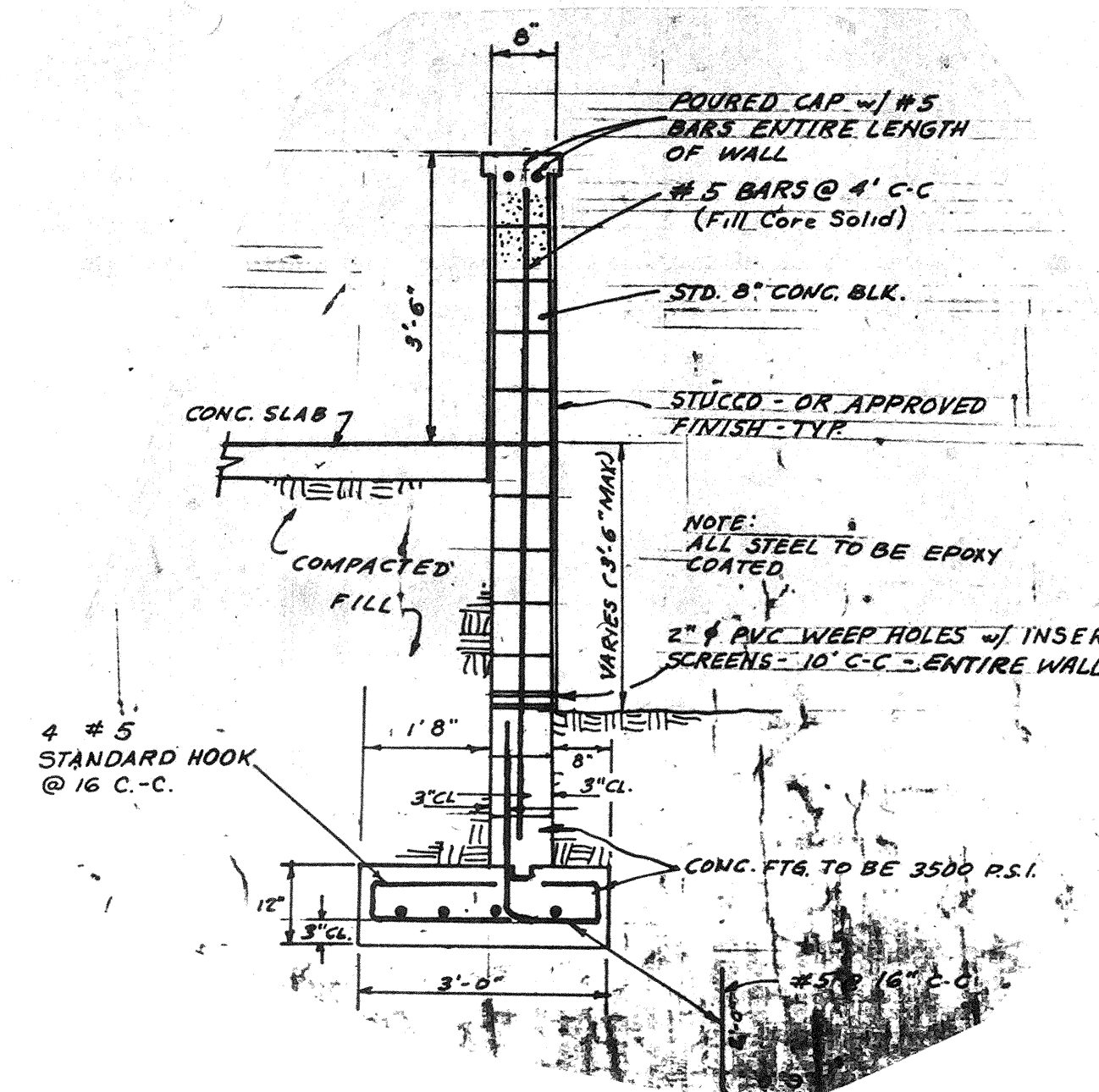


**NOTE:**

- ALL PVC WATER MAIN SHALL BE COLOR CODED BLUE WITH CLASSIFICATION DR-18, (AWWA C900) w/ 36" COVER & DOUBLE DETECTABLE TAPE PER TOWN OF LONGBOAT KEY SPECIFICATIONS.
- CONTRACTOR TO CONTACT T.O.L.B.K. UTILITIES DIRECTOR FOR CHANGE OF MATERIALS.

**BENDING RADIUS**

PIPE SIZE	OUTSIDE DIAMETER	DR/CLASS	MINIMUM RADIUS
4" PVC	4.80"	18/150	120 Ft.
6" PVC	6.90"	18/150	173 Ft.
8" PVC	9.50"	18/150	238 Ft.
10" PVC	11.10"	18/150	278 Ft.
12" PVC	13.20"	18/150	330 Ft.



WILLIAM F. BISHOP & ASSOCIATES, INC.  
CONSULTING ENGINEERS - SURVEYORS  
SARASOTA, FLORIDA

APPROVED BY  
*William Bishop* #889

DATE	SCALE	DESIGN	CHECK	APPROVED	DATE	DESCRIPTION
1-16-87	AS SHOWN	F.V.	R.V.C.	W.F.B.	1-17-87	ADDED RETAIN WALL DET
					12-30-88	ADDED NOTE #2

SARASOTA, FLORIDA  
MASTHEAD CORP  
G.P.D. COMMERCIAL  
WATER SUPPLY DETAILS