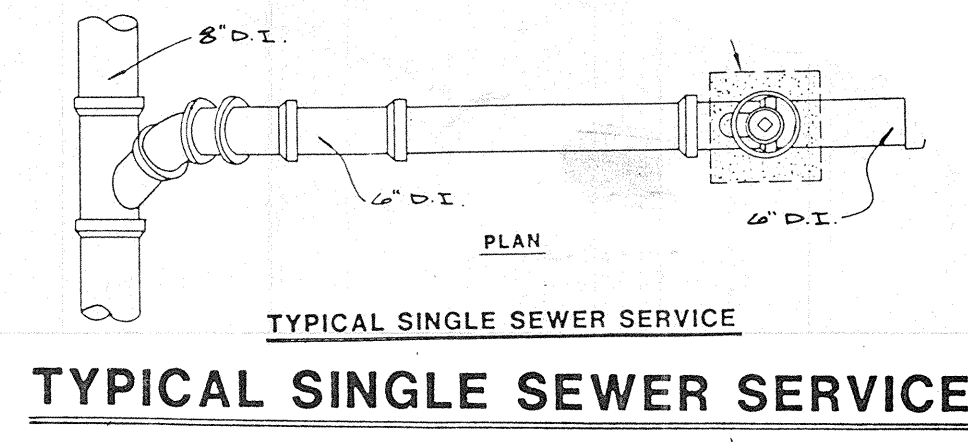
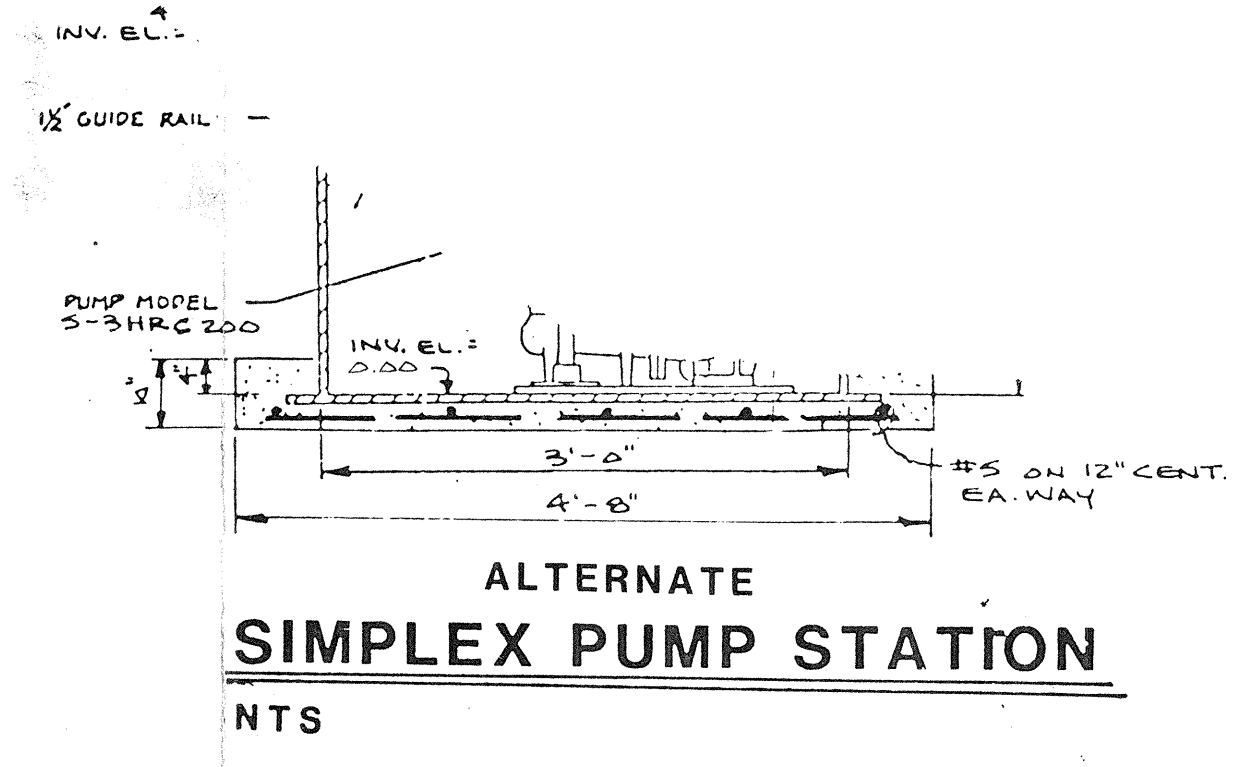


SANITARY SEWER SERVICE TIE-IN PLAN
SCALE: 1"=50'



DESIGN NOTES

- GRAVITY SEWER TIE-IN WILL WARRANT FILLING LOT TO MINIMUM ELEVATION OF 4.00 @ BUILDING SITE (BY BUILDING CONTRACTOR)
- CITY OF LONGBOAT KEY CONSTRUCTION METHODS SPECIFICATIONS SHALL GOVERN.

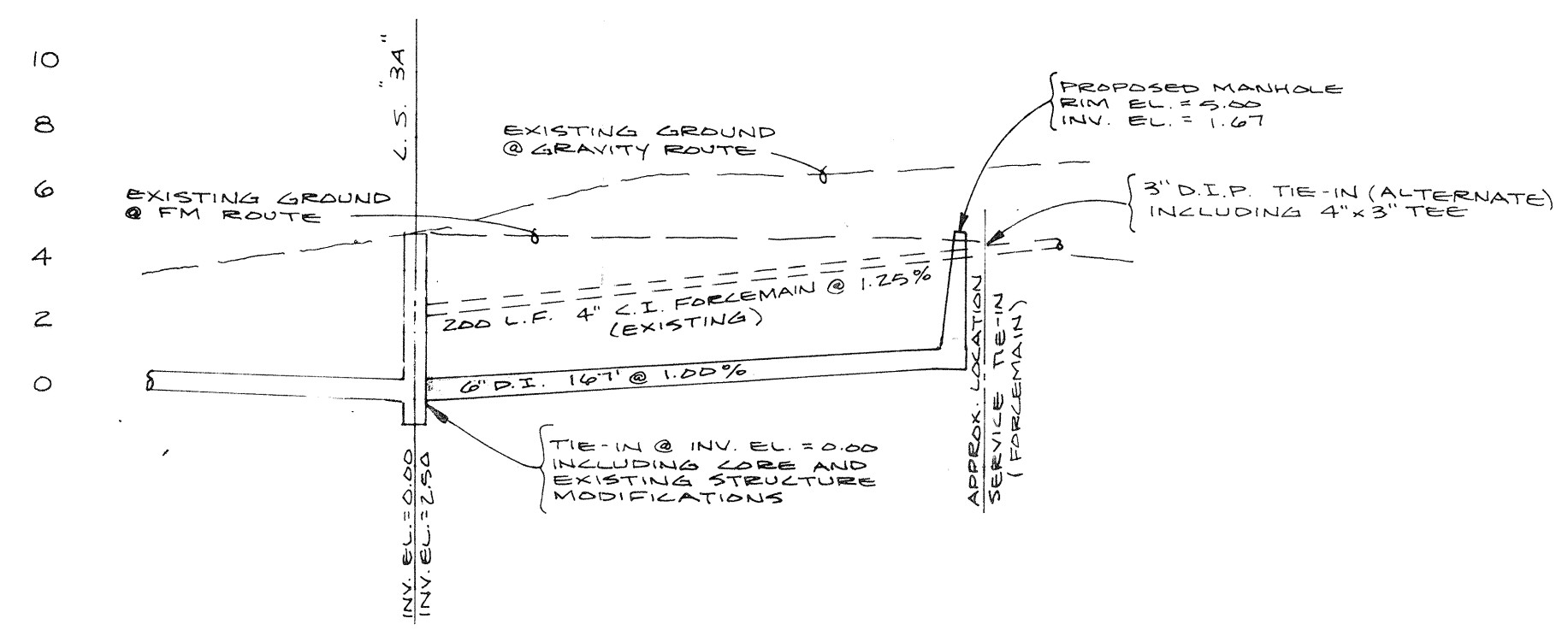


CONSTRUCTION NOTES

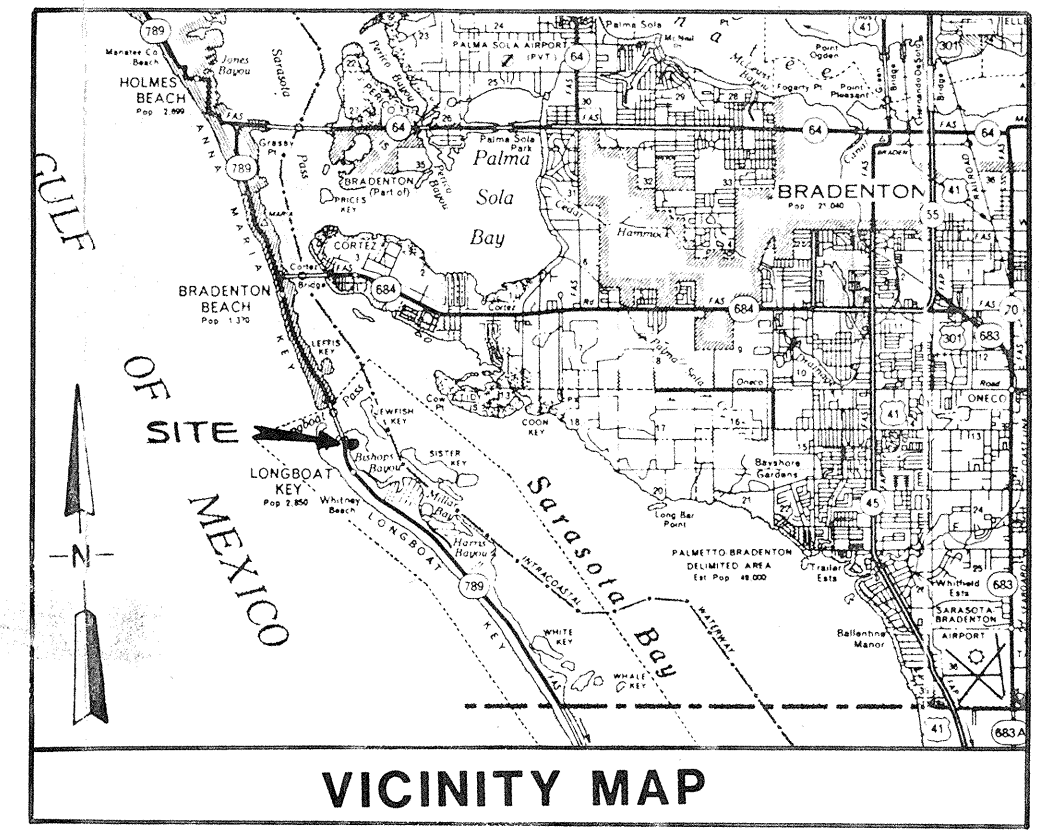
- CONTRACTOR TO SECURE SHOP DRAWING APPROVALS FROM CITY OF LONGBOAT KEY BUILDING DEPARTMENT PRIOR TO INSTALLATION OF STATION.
- CONTRACTOR TO COMPLY WITH F.D.O.T. UTILITY PERMIT REQUIREMENTS REGARDING FORCEMAIN TIE-IN.
- ELECTRICAL PANEL AND DISCONNECT TO BE INSTALLED ON NORTHWEST CORNER OF PROPOSED HOUSE IN CLEAR VIEW OF STATION BY BUILDING ELECTRICAL CONTRACTOR.
- 4" SEWER SERVICE INSTALLATION AND TIE-IN TO STATION SHALL BE PERFORMED BY BUILDING PLUMBING CONTRACTOR.

LEGEND

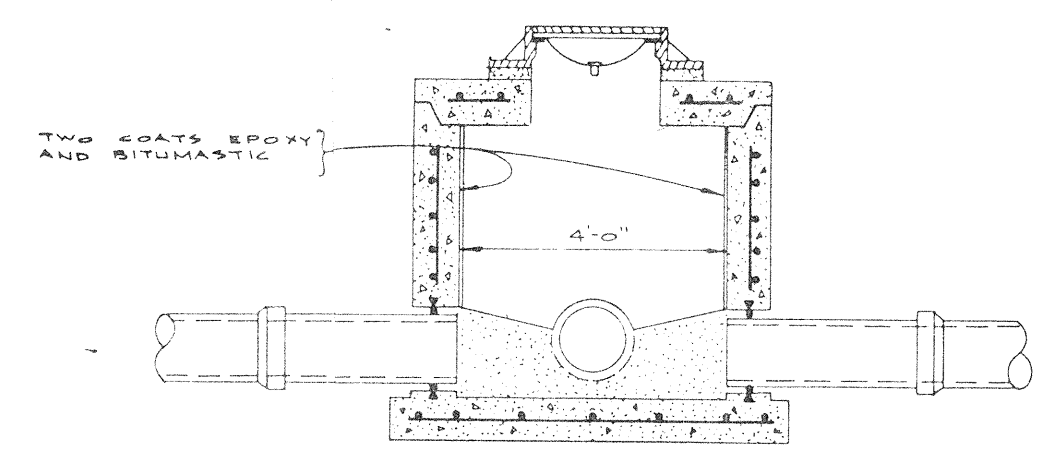
- S — PROPOSED SANITARY SERVICE (FORCEMAIN)
- S — EXISTING SANITARY SEWER
- F — EXISTING FORCEMAIN SYSTEM
- W — EXISTING WATERMAIN SYSTEM
- H — EXISTING FIRE HYDRANT ASSEMBLY



PROPOSED GRAVITY SEWER PROFILE & EXISTING FORCEMAIN PROFILE
SCALE: HORIZ. 1"=50', VERT. 1"=5'



SANITARY SEWER SERVICE TIE-IN
OF
LOT 8, BLOCK 22
LONGBEACH SUBDIVISION
SEC. 15, TWP. 35S., RGE. 16E.
LONGBOAT KEY
MANATEE COUNTY, FLORIDA
FOR
MR. & MRS. CHAPMAN



STANDARD SHALLOW MANHOLE

REVISIONS		Zoller & Najjar Engineering, Inc. Engineers, Planners, and Land Surveyors	
1		DESIGNED M.S.P.	CHECKED M.S.D.
2		DRAWN W. COMP.	JOB NO. 85-2427
3		DATE FEB. 1985	SCALE AS NOTED
4		FILE NO.	SHEET 1 OF 1
5			
6			
7			