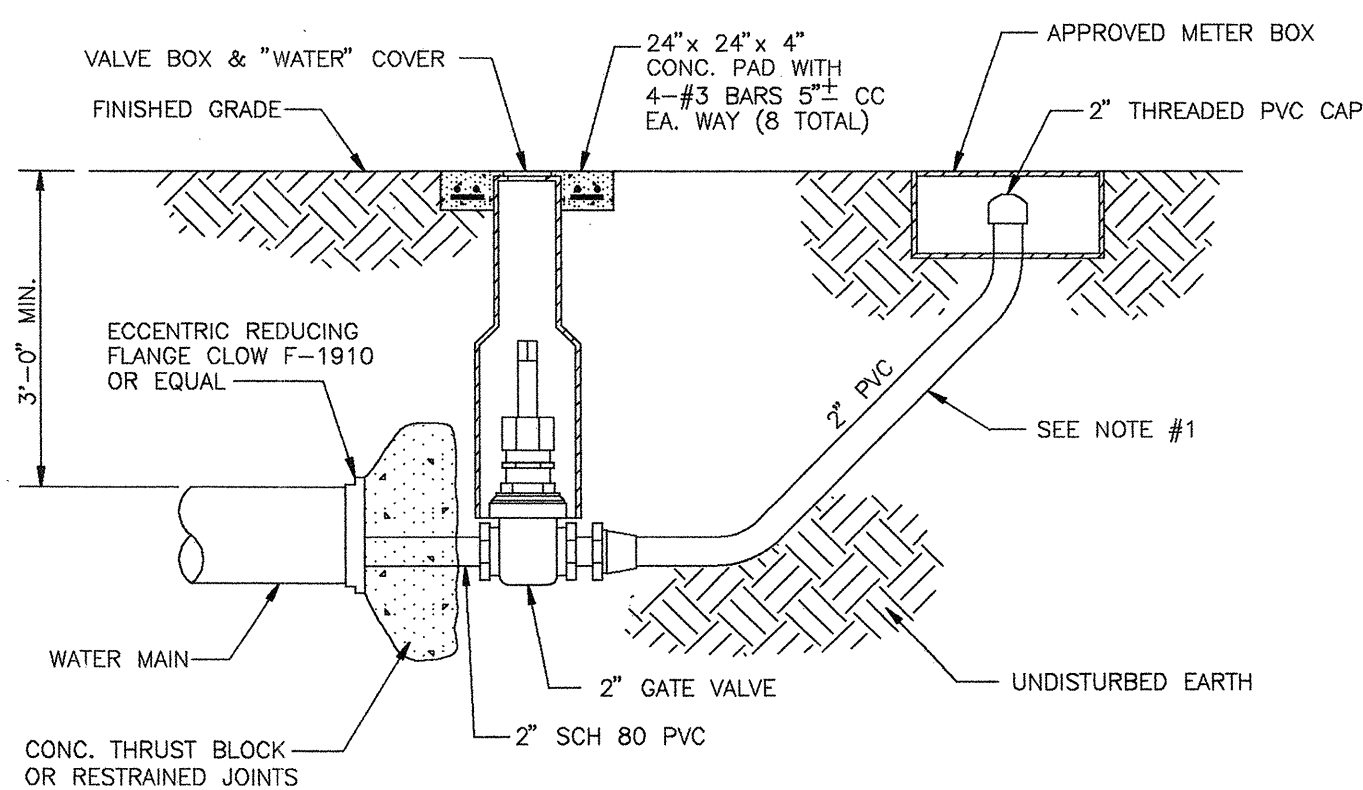


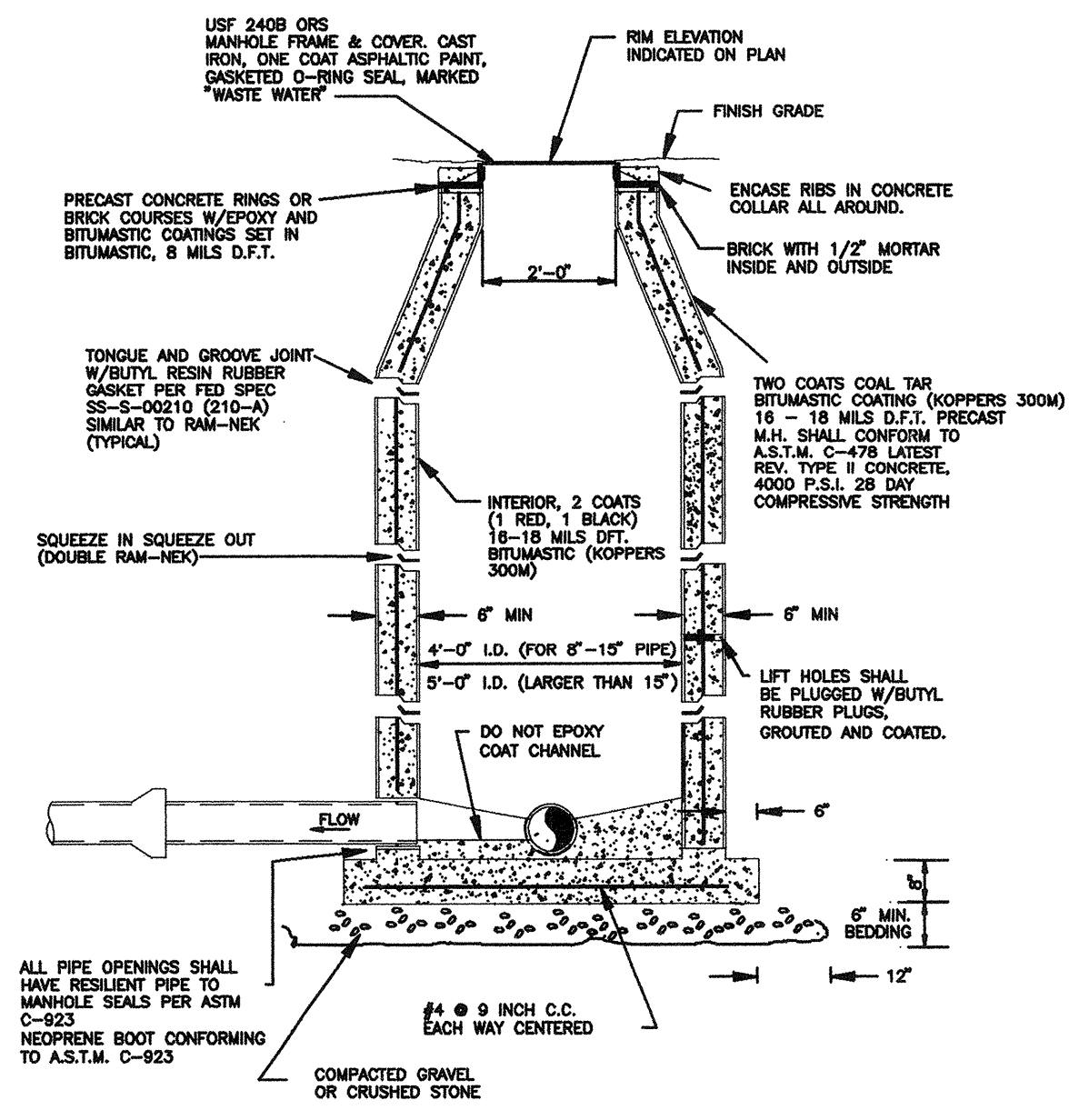
- NOTES:**
1. ALL SERVICE TAPS TO BE LOCATED IN FIELD. TAPS SHALL BE NO CLOSER THAN 2'-0" STAGGERED INTERVALS OR WITHIN 2'-0" FROM BELL OR SPIGOT ENDS.
 2. ANGLE CURB STOP AND BOX TO BE FURNISHED AND INSTALLED BY DEVELOPER/CONTRACTOR.

WATER SERVICE
N.T.S.

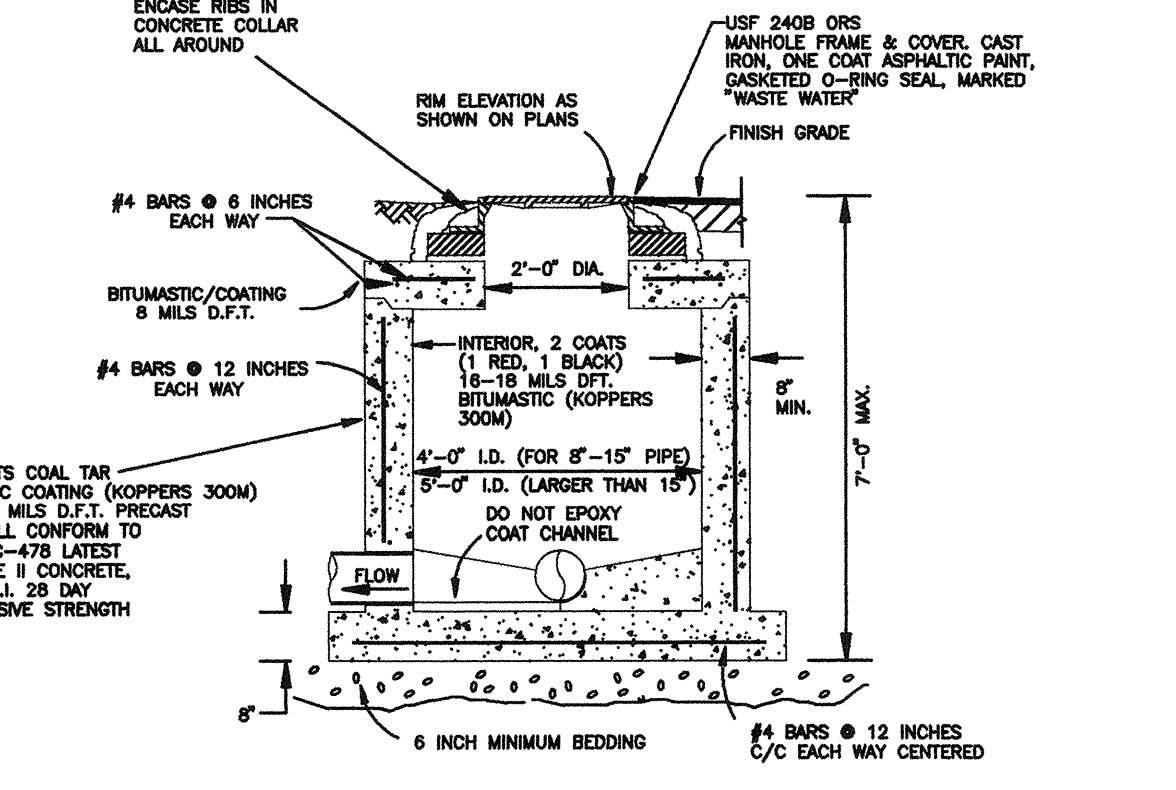


- NOTES:**
1. THIS DETAIL TO BE USED FOR ALL WATER MAINS 10" DIA. OR SMALLER.

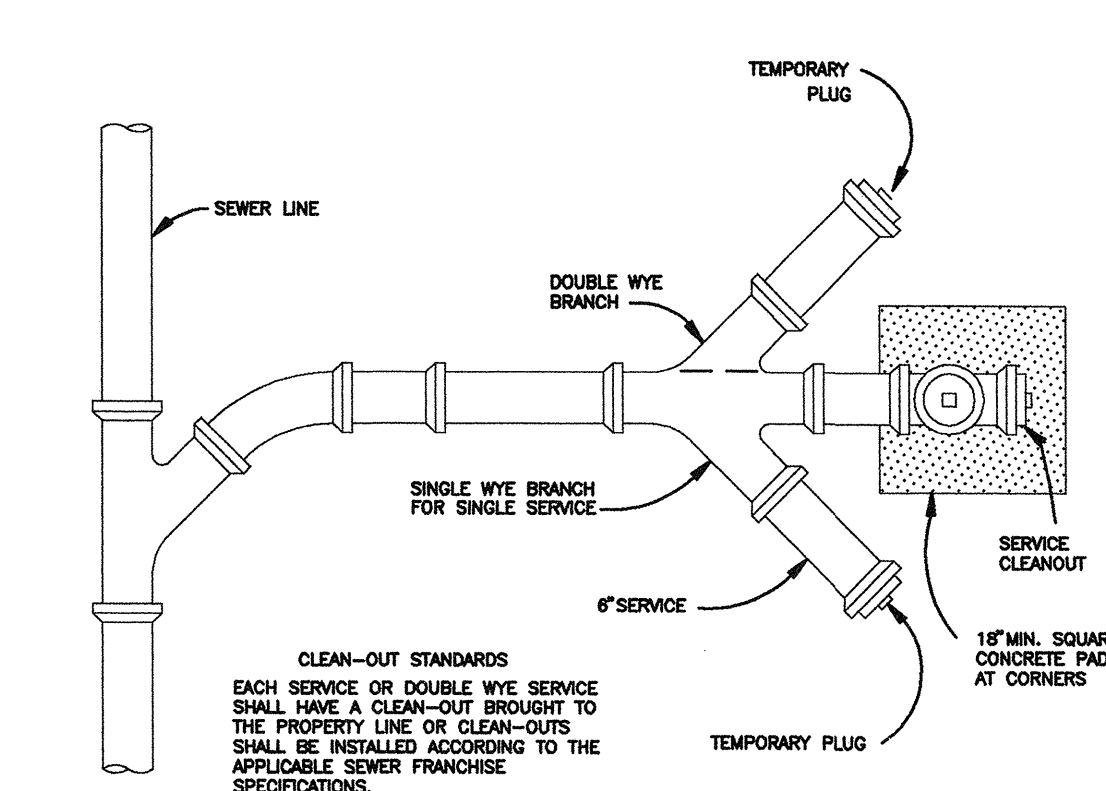
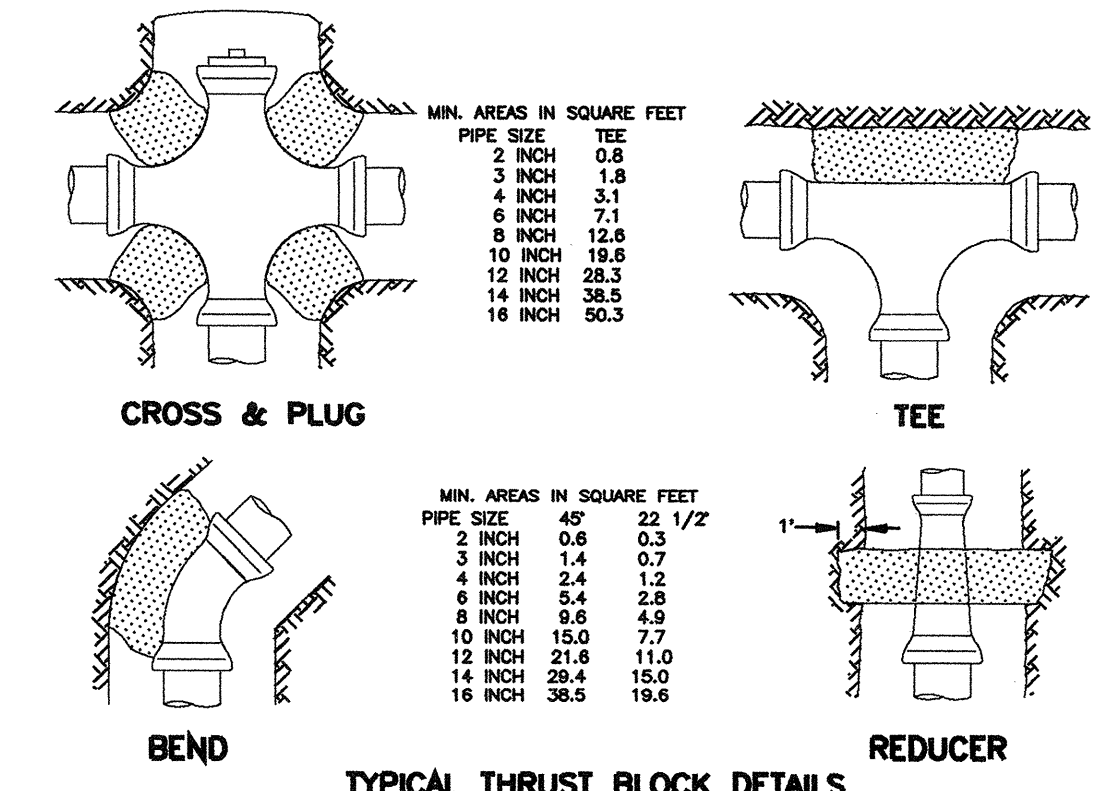
BLOW OFF
N.T.S.



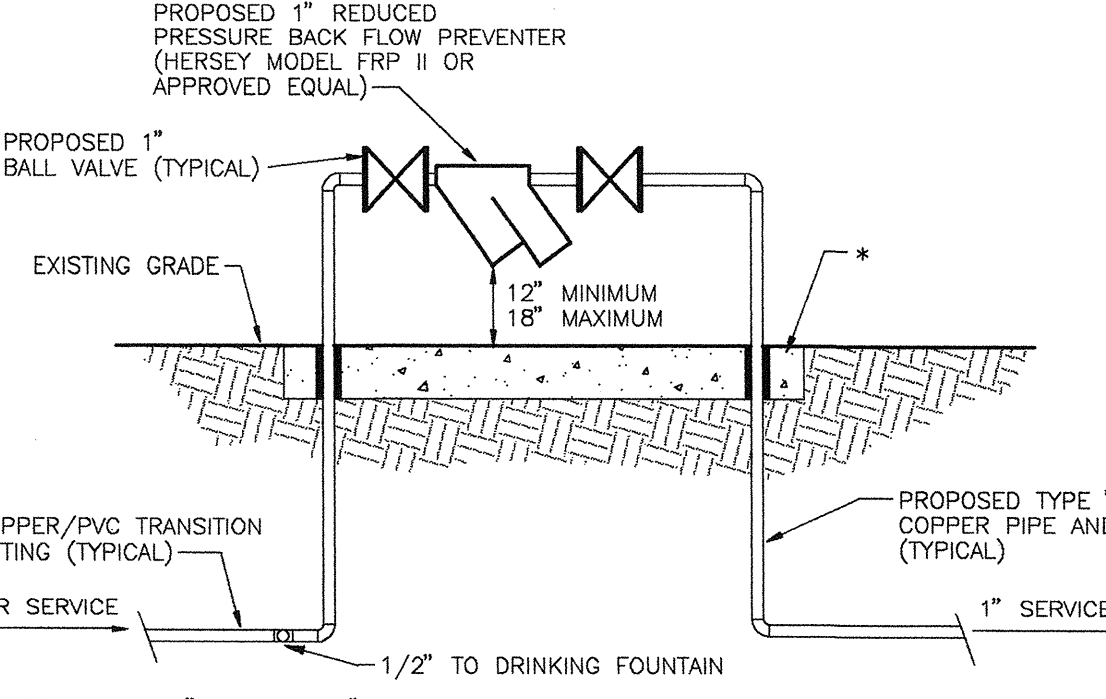
STANDARD SANITARY SEWER PRE-CAST MANHOLE
N.T.S.



STANDARD PRECAST SHALLOW MANHOLE
N.T.S.

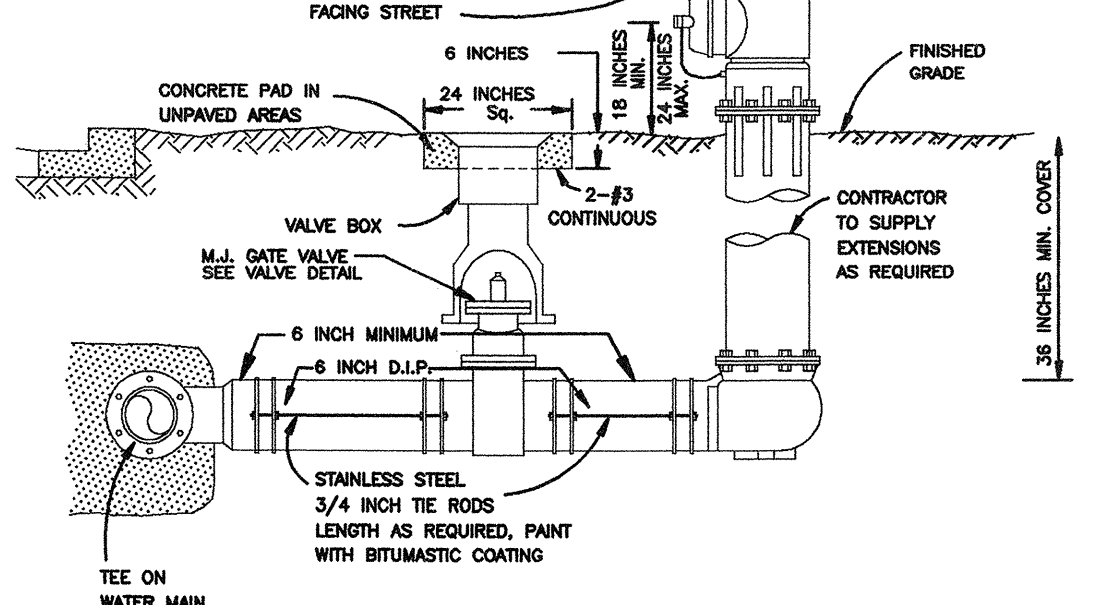


DOUBLE SERVICE SANITARY SEWER
N.T.S.

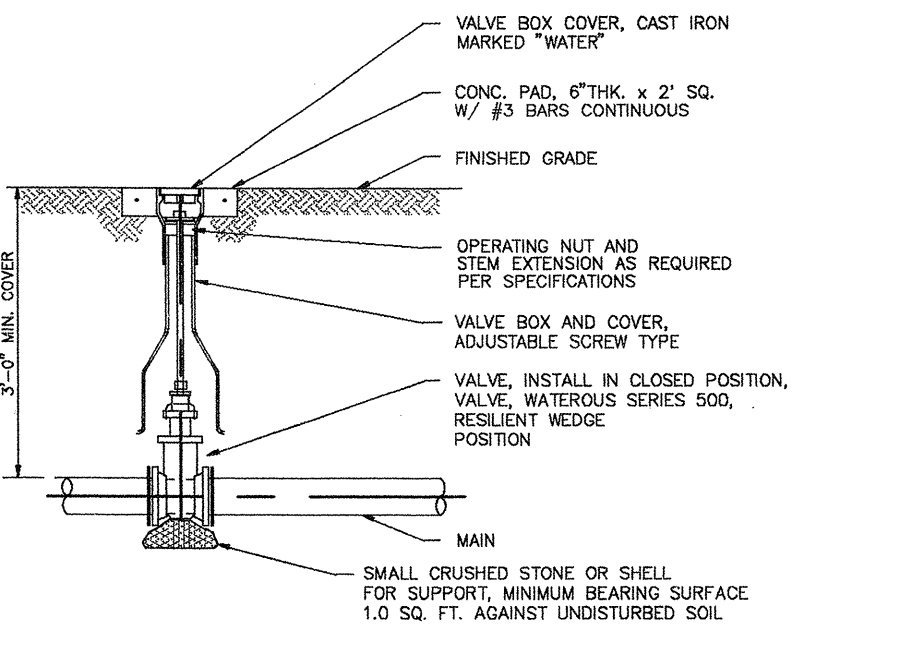


BACK FLOW PREVENTER
N.T.S.

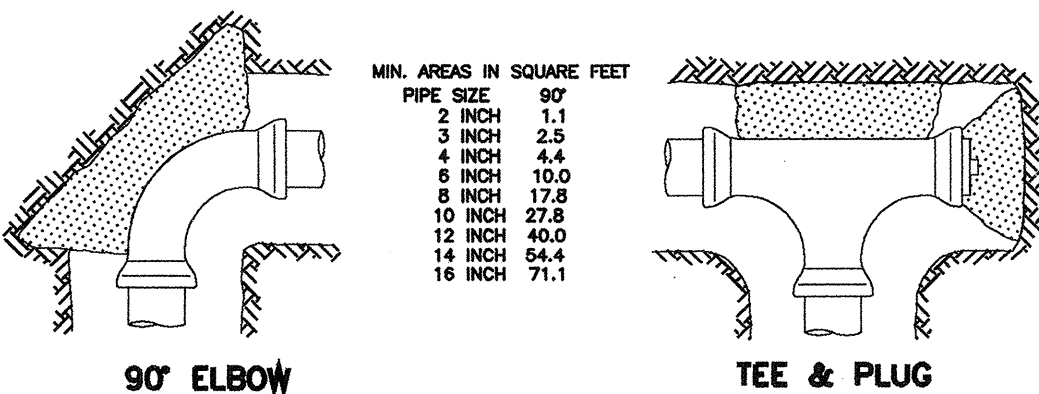
NOTES:
THE CONTRACTOR SHALL SUBMIT HIS METHOD OF RESTRAINING THE VALVE OR HYDRANT TO THE ENGINEER FOR APPROVAL PRIOR TO ORDERING MATERIAL.
FOR THRUST BLOCKING CONSTRUCT THE THRUST BLOCK THE SAME SIZE AS FOR TEE BLOCK DRAIN HOLE.
WHERE MINIMUM DISTANCE REQUIRED USE WATEROUS PACER 1000 ANCHORING TEE WITHOUT ANCHORING COUPLING BETWEEN TEE & GATE VALVE.
BURY LINE AS MARKED ON HYDRANT BY THE MANUFACTURER.
CONTRACTOR WILL PROMISE AND INSTALL BLUE HYDRANT DELINEATORS AT LOCATIONS DESIGNATED BY THE ENGINEER.
CONTRACTOR WILL UTILIZE VARIOUS ADJUSTMENT TECHNIQUES, GRADLOCK, SPECIAL TEES OR OTHER A.W.W.A. APPROVED FITTINGS.



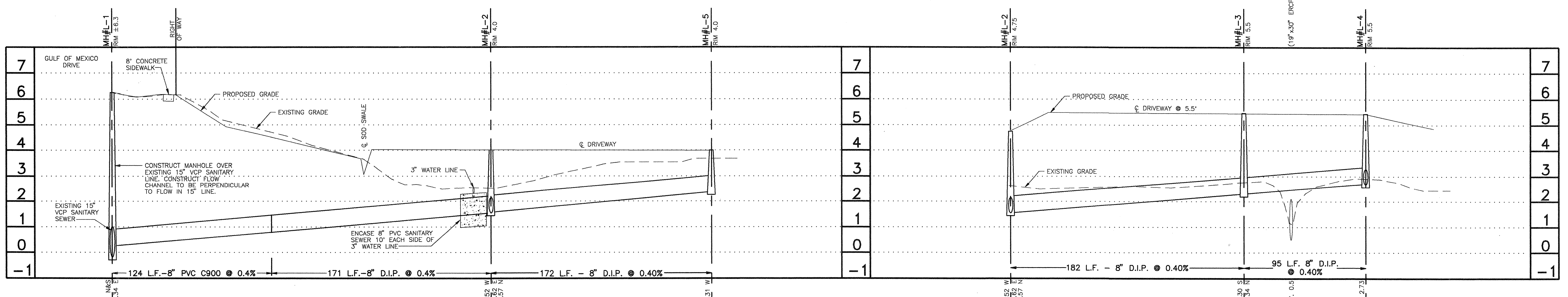
TYPICAL FIRE HYDRANT ASSEMBLY DETAIL
N.T.S.



BURIED VALVE DETAIL
N.T.S.



TYPICAL THRUST BLOCK DETAILS
N.T.S.



SCALE:
1" = 40' HORZ.
1" = 2' VERT.

LAGUNA AT LONGBOAT KEY
CONSTRUCTION PLANS
SANITARY PROFILES & DETAILS

DATE: 3/20/97
DRAWING SCALE: AS NOTED
REVISIONS: AS NOTED

APPROVED: *[Signature]* DATE: 7/20/98
ENGINEER OF RECORD: DBH
NOT ISSUED FOR CONSTRUCTION

PROJECT NO: F12501
SHEET NO: C-7