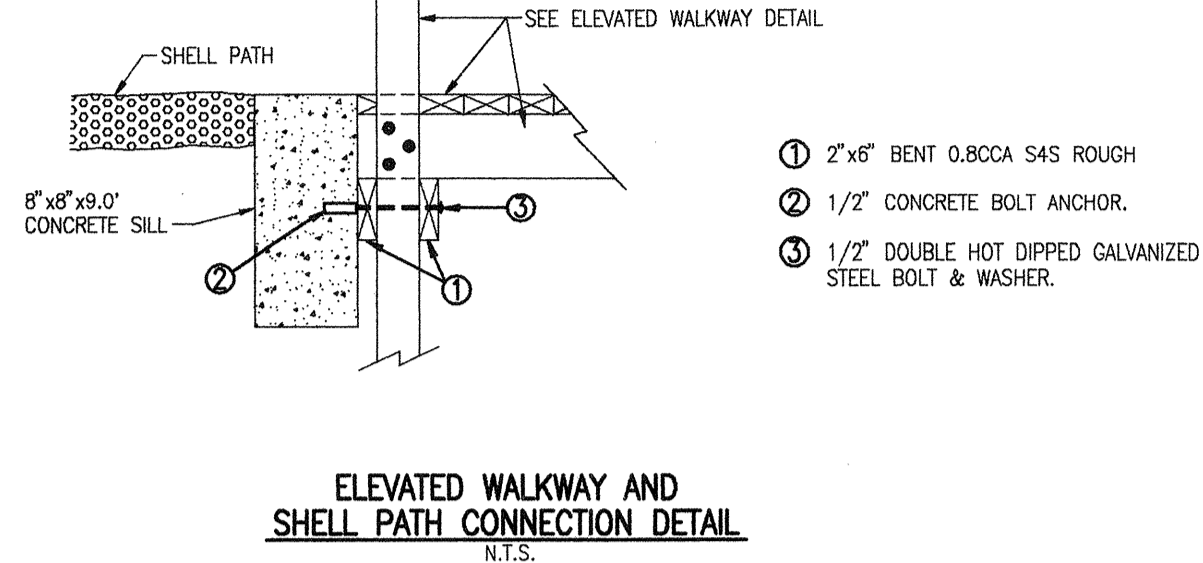
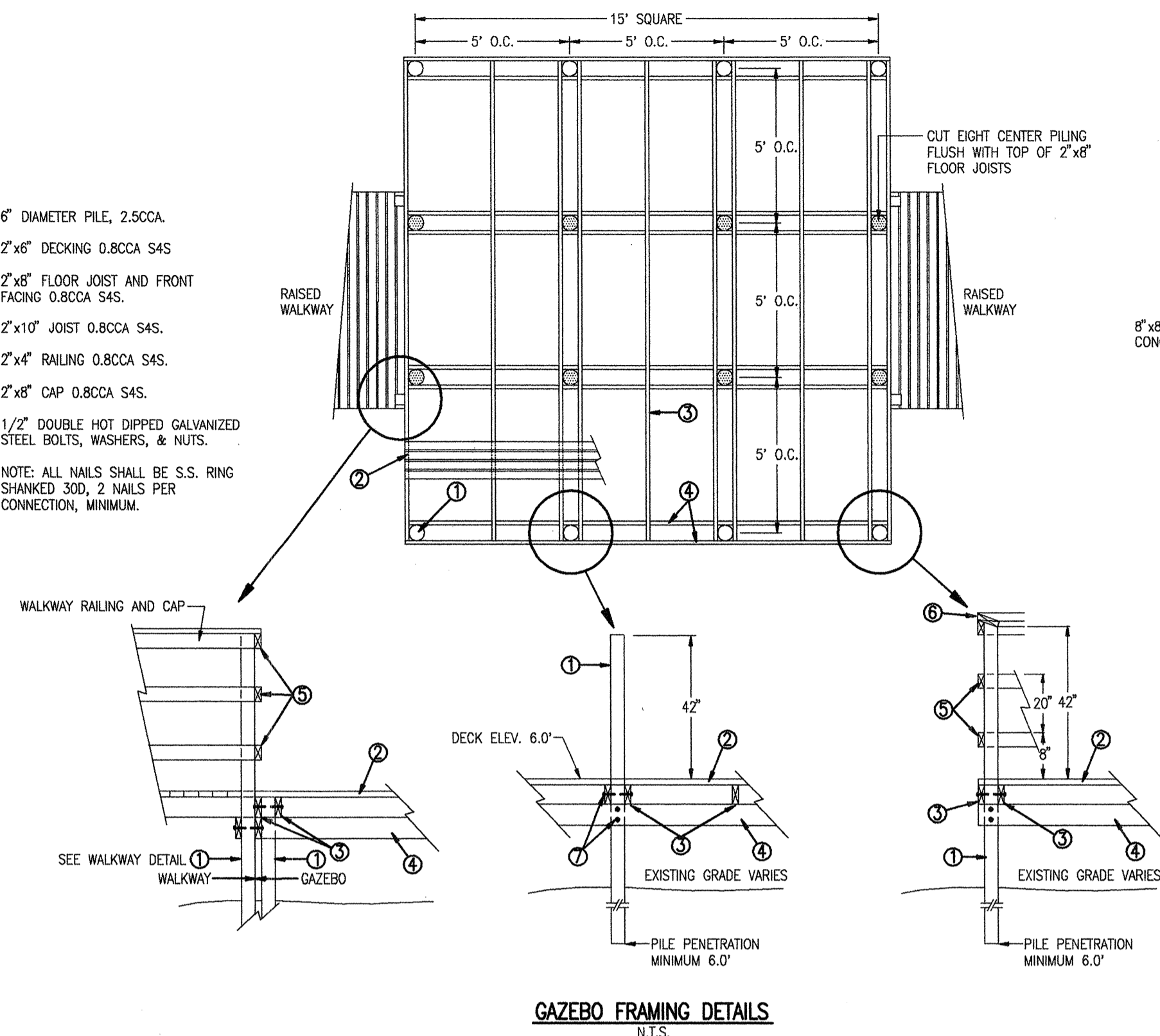


- ① 6" DIAMETER PILE, 2.5CCA.
- ② 2"x6" DECKING 0.8CCA S4S
- ③ 2"x6" FLOOR JOIST AND FRONT FACING 0.8CCA S4S.
- ④ 2"x10" JOIST 0.8CCA S4S.
- ⑤ 2"x4" RAILING 0.8CCA S4S.
- ⑥ 2"x8" CAP 0.8CCA S4S.
- ⑦ 1/2" DOUBLE HOT DIPPED GALVANIZED STEEL BOLTS, WASHERS, & NUTS.

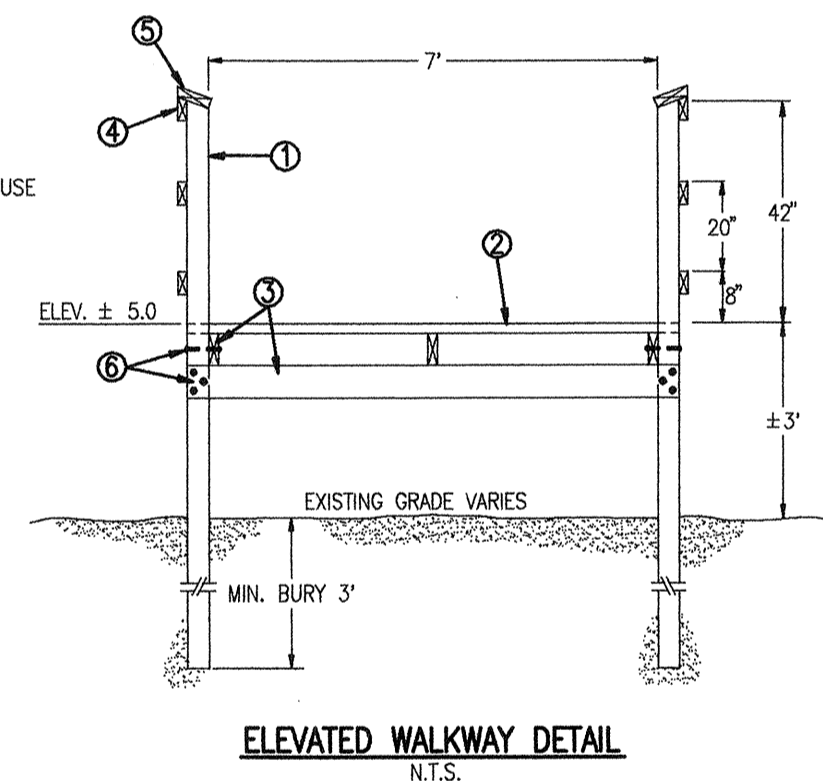
NOTE: ALL NAILS SHALL BE S.S. RING SHANKED 30D, 2 NAILS PER CONNECTION, MINIMUM.



ELEVATED WALKWAY AND SHELL PATH CONNECTION DETAIL N.T.S.

- ① 4"x4" POST, 2.5CCA ROUGH HORIZONTAL DISTANCE, MAXIMUM 8.0'.
- ② 2"x6" DECKING 0.8CCA S4S 1/4" SPACING (DECKING, RAILING, & CAP RAILS USE S.S. RING SHANKED 30D, 2 NAILS PER CONNECTION MINIMUM).
- ③ 2"x8" STRINGERS AND BENTS 0.8CCA S4S ROUGH.
- ④ 2"x4" RAILING 0.8CCA S4S ROUGH. SEE NAILING IN NOTE ②.
- ⑤ 2"x6" CAP 0.8CCA S4S ROUGH. SEE NAILING IN NOTE ②.
- ⑥ 1/2" DOUBLE HOT DIPPED GALVANIZED STEEL BOLTS, WASHERS, & NUTS.

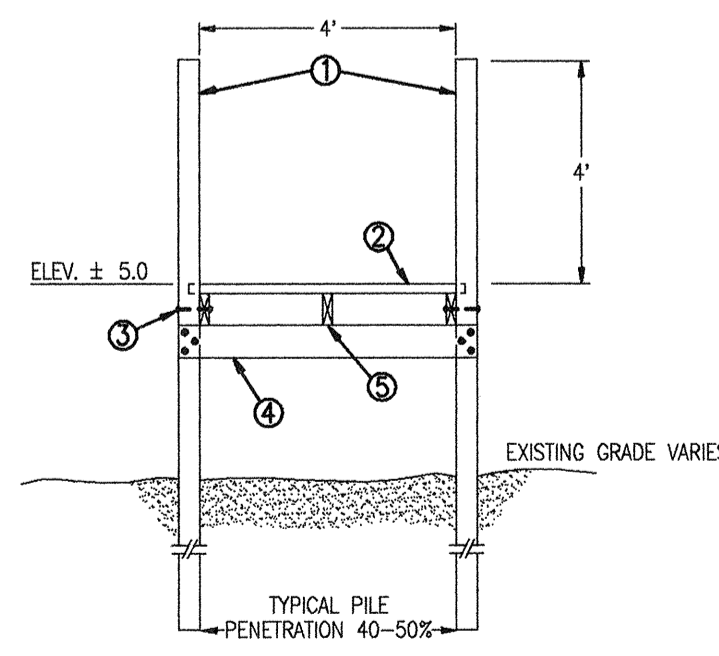
NOTE: ALL STEEL BRACKETS SHALL BE DOUBLE HOT DIP GALVANIZED.



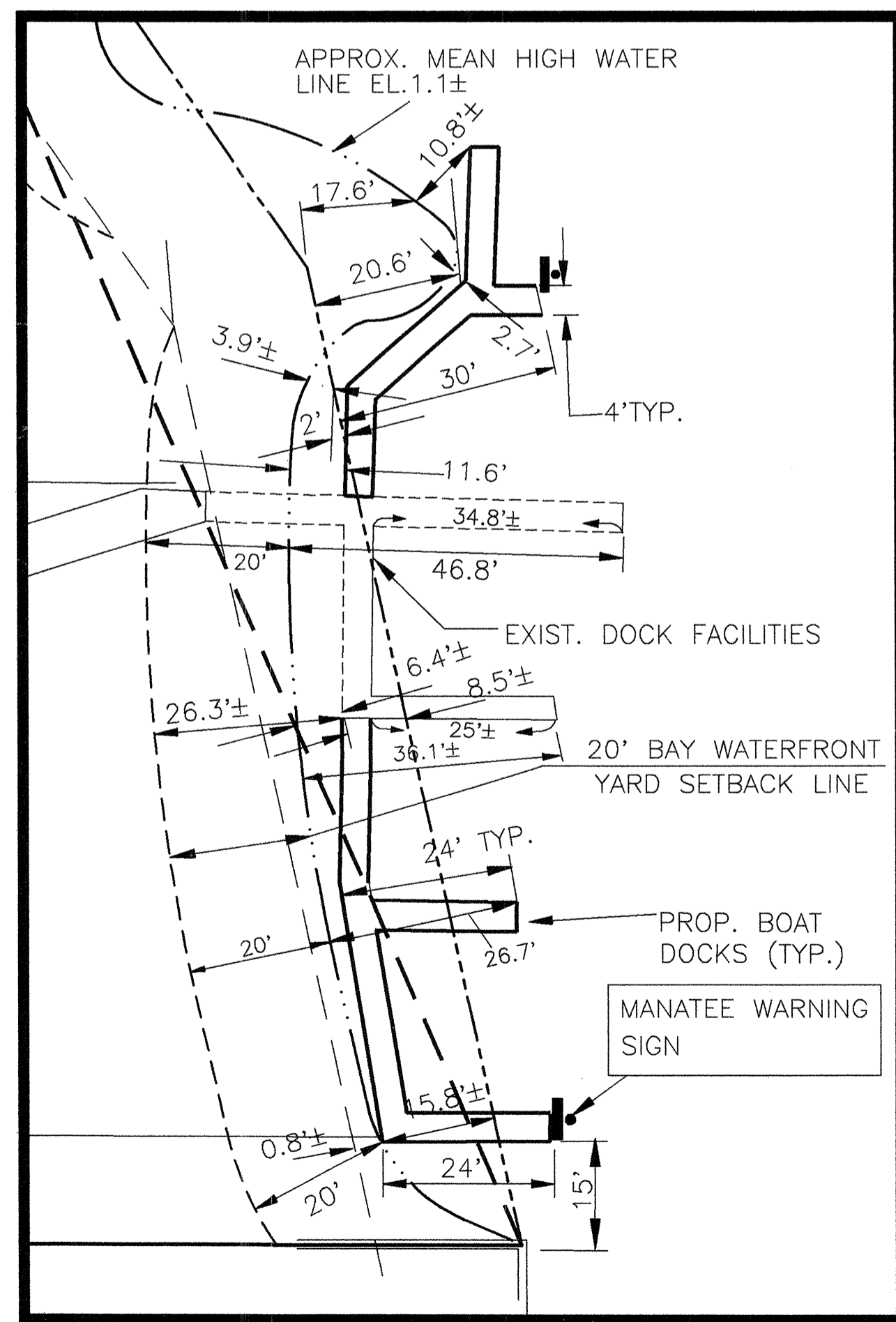
ELEVATED WALKWAY DETAIL N.T.S.

- ① 8" DIAMETER PILING 2.5CCA. HORIZONTAL SPACING MAXIMUM 8.0'.
- ② 2"x6" DECK, 0.8CCA S4S, 1/4" SPACING.
- ③ 1/2" DOUBLE HOT DIPPED GALVANIZED STEEL BOLTS, NUTS, & WASHERS.
- ④ ⑤ 2"x6" ROUGH 0.8CCA S4S STRINGERS AND BENTS.

NOTE: ALL DECKING NAILS SHALL BE S.S. RING SHANKED 30D. MINIMUM 2 NAILS PER CONNECTION.

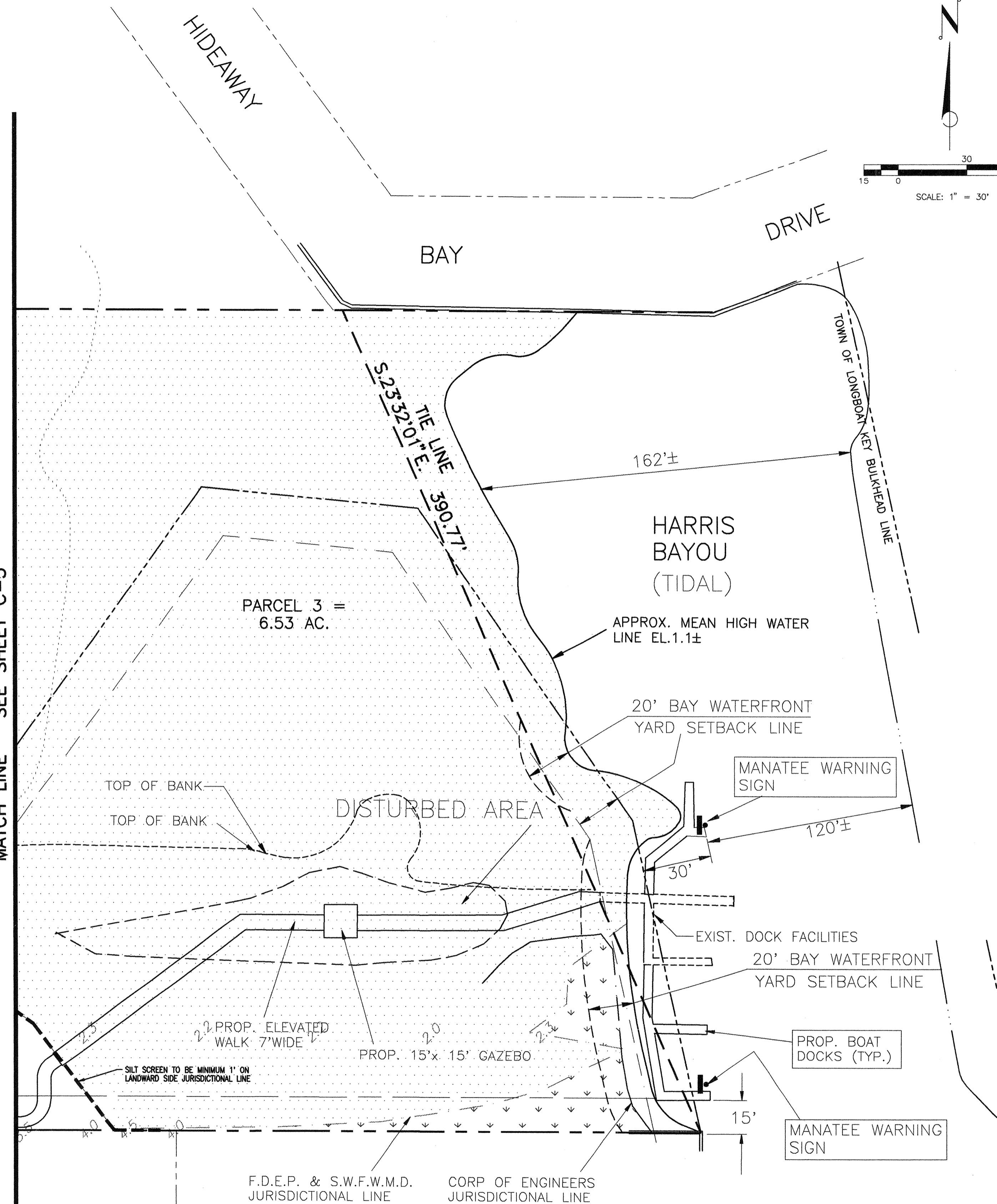


TYPICAL DOCK SECTION N.T.S.



PROPOSED DOCK EXPANSION N.T.S.

MATCH LINE SEE SHEET C-5



SLEEPY LAGOON
PLAT BOOK 7, PAGE 14

DATE	BY	DESCRIPTION

DATE	DRAWING SCALE	AS NOTED	DATE	BY	DESCRIPTION
3/8/07	AS NOTED				

ESBER & ASSOCIATES
Engineers - Surveyors
6914 Palmer Blvd. - Sarasota, FL 34239
(941) 979-6851 - Fax (941) 979-0556

APPROVED: *[Signature]* DATE
ENGINEER OF RECORD
NOT ISSUED FOR CONSTRUCTION