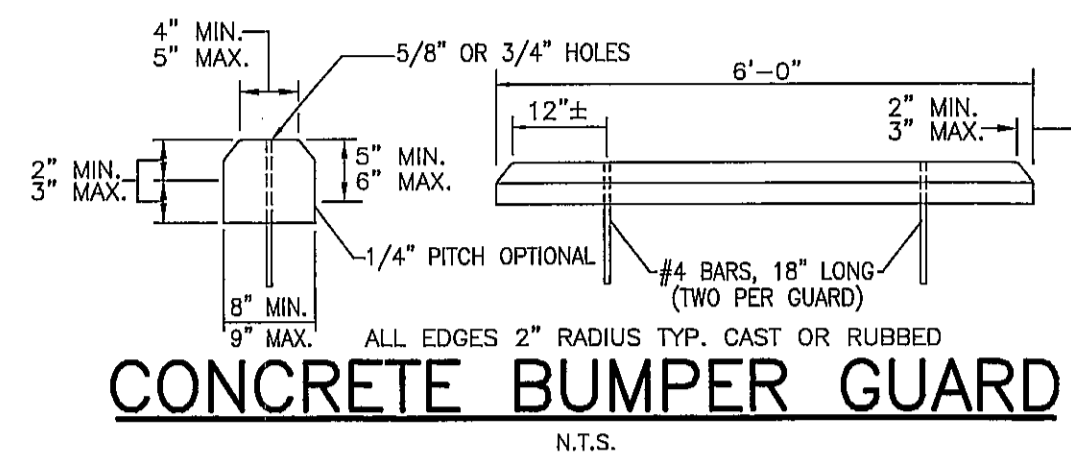
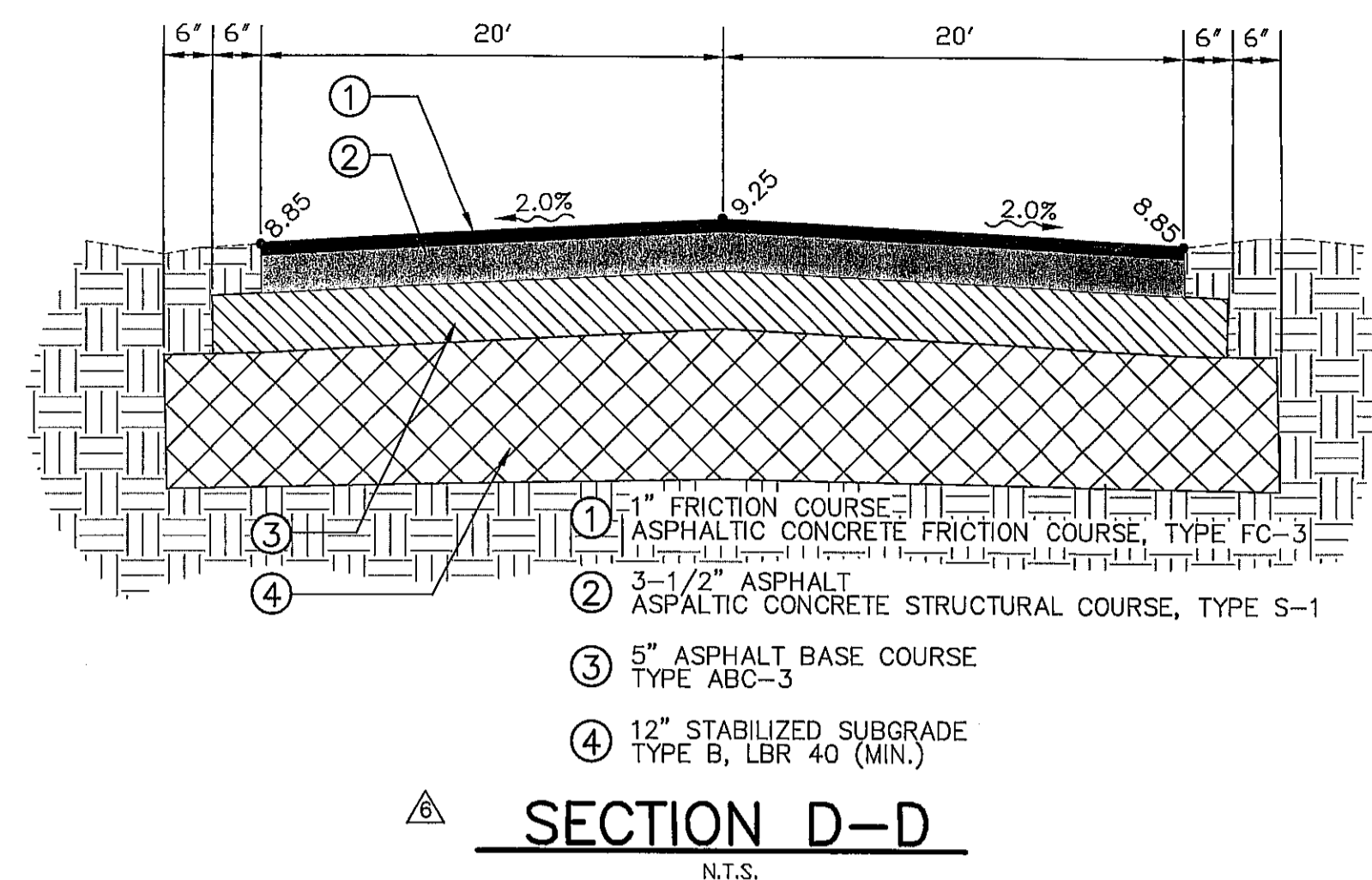


GENERAL NOTES:

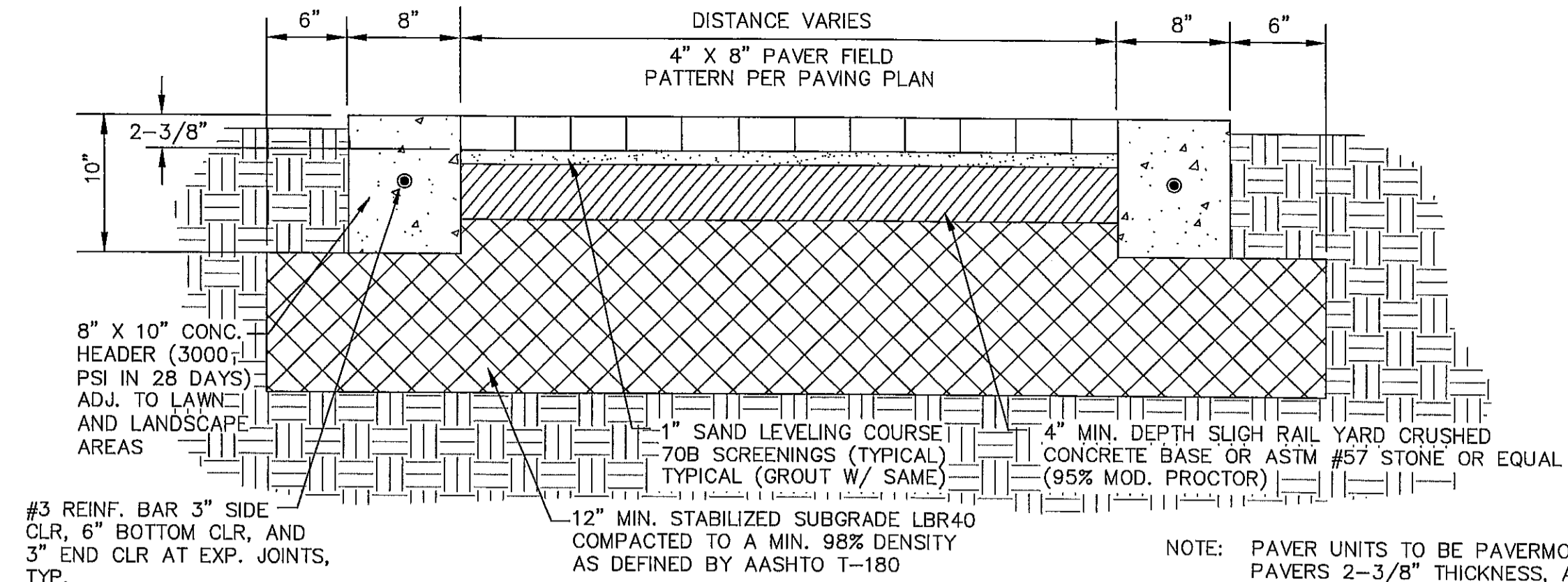
- 1). ALL TRAFFIC CONTROL PAVEMENT MARKINGS SHALL BE ALKYD THERMOPLASTIC 90 MILS IN THICKNESS.
- 2). A TWO FOOT WIDE STRIP OF SOD IS TO BE PROVIDED BEHIND ALL CURBS AND PAVEMENT EDGES. SOD OR GRASS/MULCHING SHALL BE PROVIDED FOR ALL OTHER OPEN AREAS UNLESS NOTED OTHERWISE ON LANDSCAPE PLANS.
- 3). ALL CONCRETE TO BE A MINIMUM 3000 P.S.I., UNLESS NOTED OTHERWISE ON THE PLANS.
- 4). ALL CULVERT PIPE JOINTS ARE TO BE WRAPPED WITH A FILTER FABRIC JACKET PER F.D.O.T. INDEX NO. 280.
- 5). ALL TRAFFIC SIGN POSTS SHALL BE 2"x2" SQUARE BREAK-AWAY 14 GAUGE GALVANIZED STEEL WITH PUNCHED HOLES.



CONCRETE BUMPER GUARD
N.T.S.

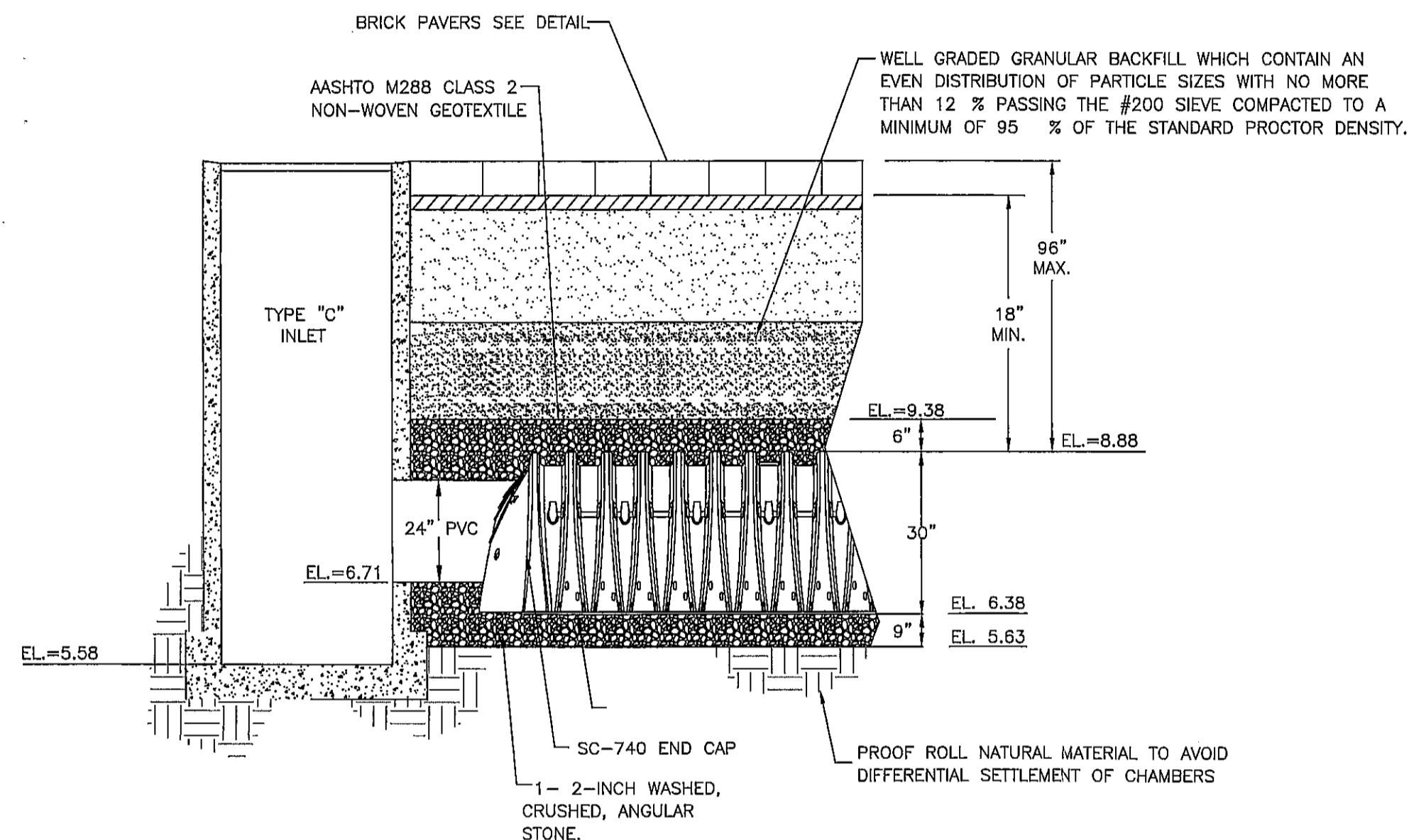


SECTION D-D
N.T.S.

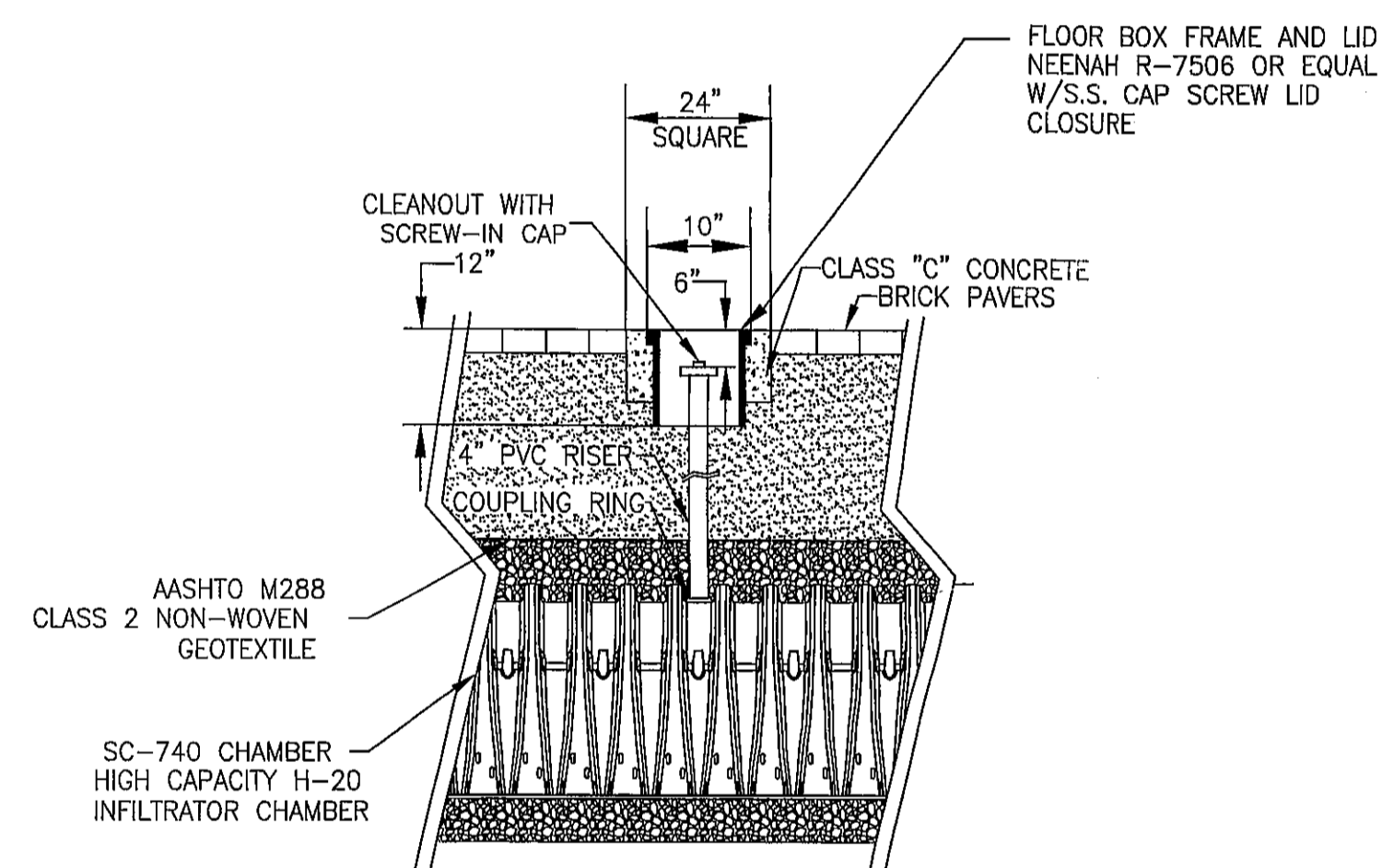


TYPICAL INTERLOCKING PAVING FOR PEDESTRIAN WALK AREAS

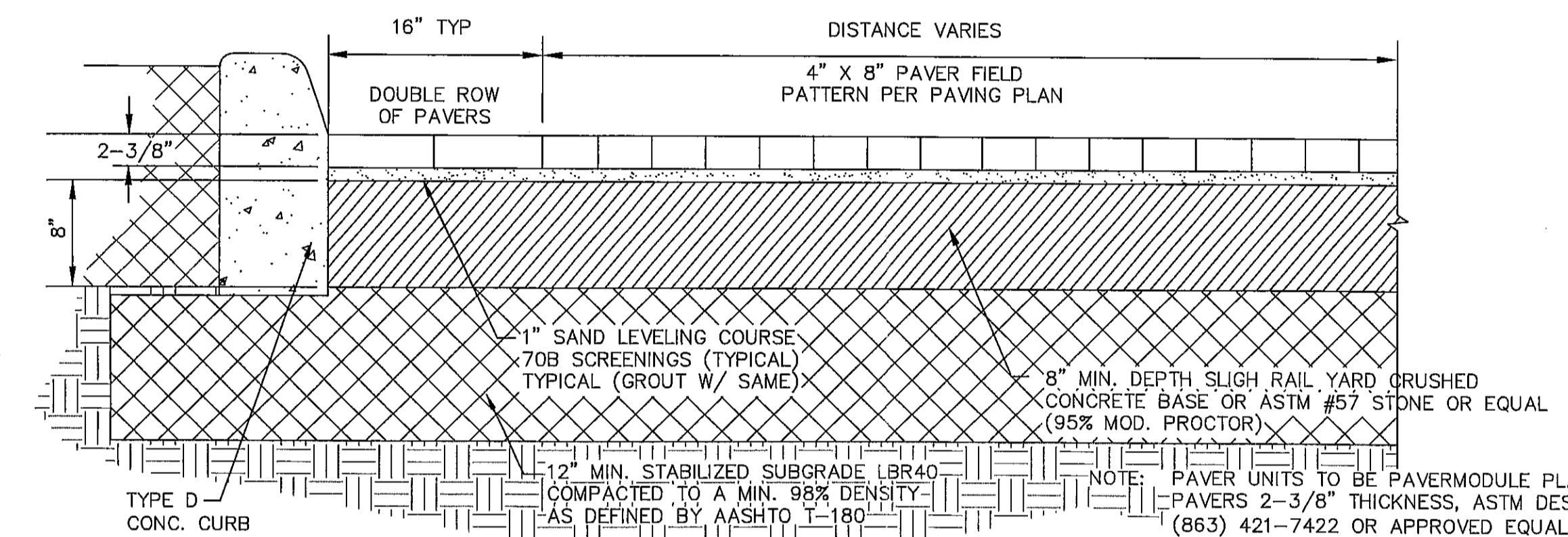
NOTE: PAVER UNITS TO BE PAVERMODULE PLAZA SYSTEM PAVERS 2-3/8" THICKNESS, ASTM DESIGNATION C936-82 (863) 421-7422 OR APPROVED EQUAL: 4"x8" STANDARD (PAVER UNIT COLORS TO BE CHOSEN BY OWNER.)



STORMTECH SC-740 CHAMBER SYSTEM CATCH BASIN DETAIL
N.T.S.

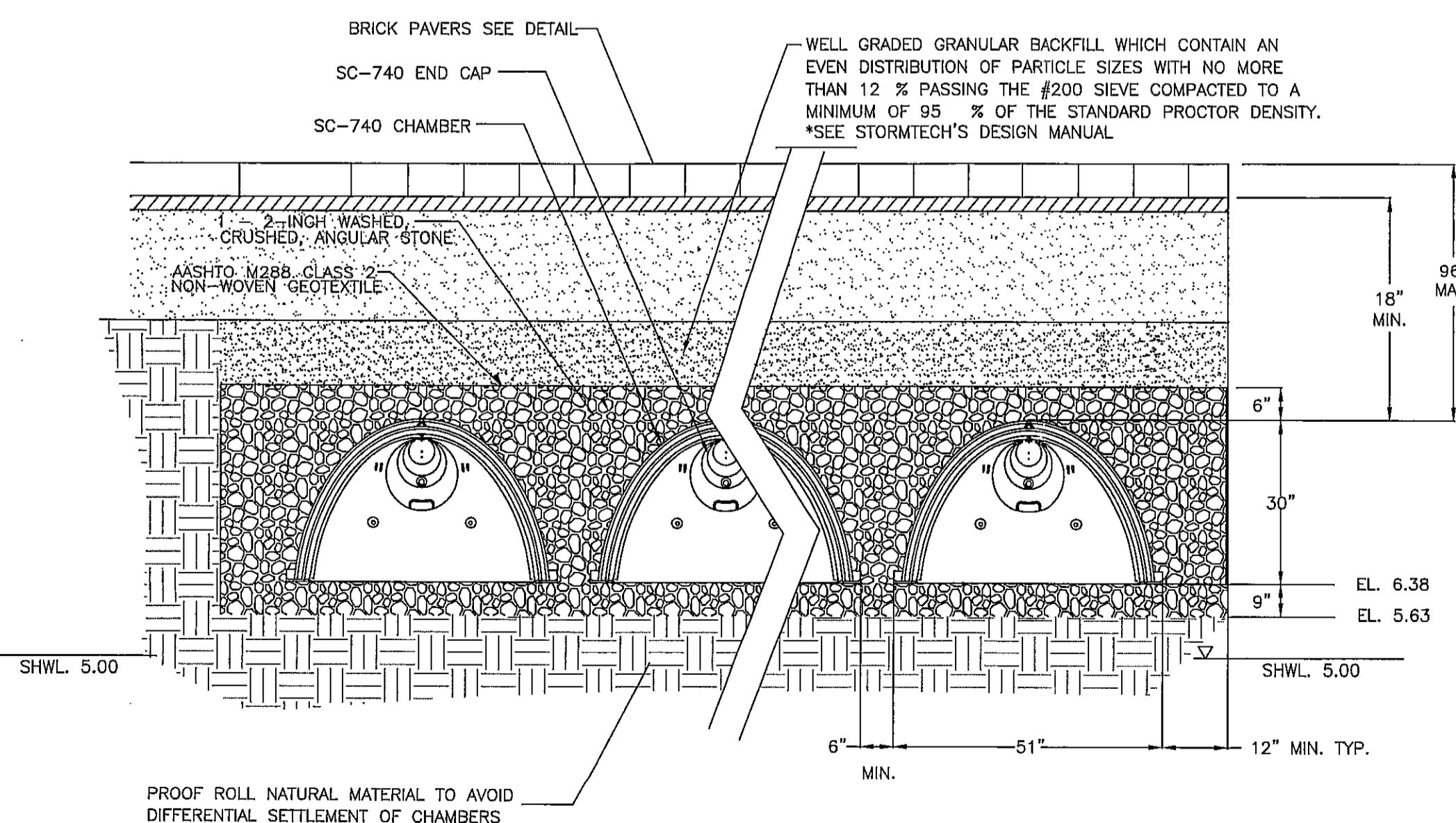


INSPECTION PORT DETAIL
N.T.S.

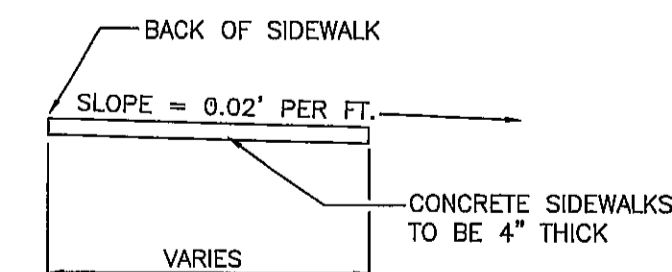


TYPICAL INTERLOCKING PAVING FOR VEHICULAR USE AREAS

NOTE: PAVER UNITS TO BE PAVERMODULE PLAZA SYSTEM PAVERS 2-3/8" THICKNESS, ASTM DESIGNATION C936-82 (863) 421-7422 OR APPROVED EQUAL: 4"x8" STANDARD (PAVER UNIT COLORS TO BE CHOSEN BY OWNER.)



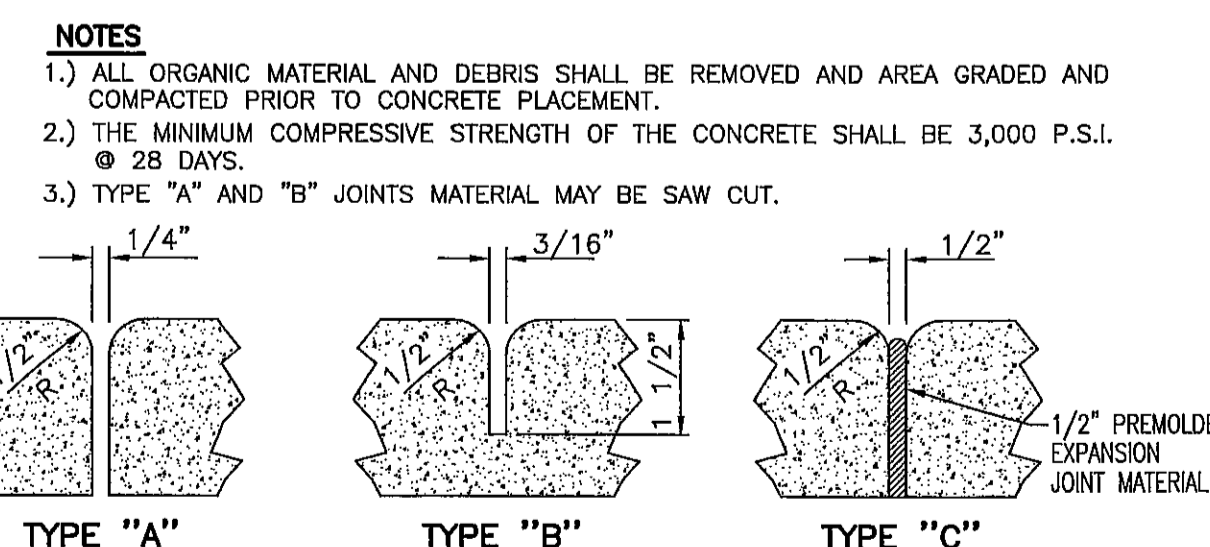
STORMTECH SC-740 CHAMBER SYSTEM TYPICAL CROSS SECTION DETAIL
N.T.S.



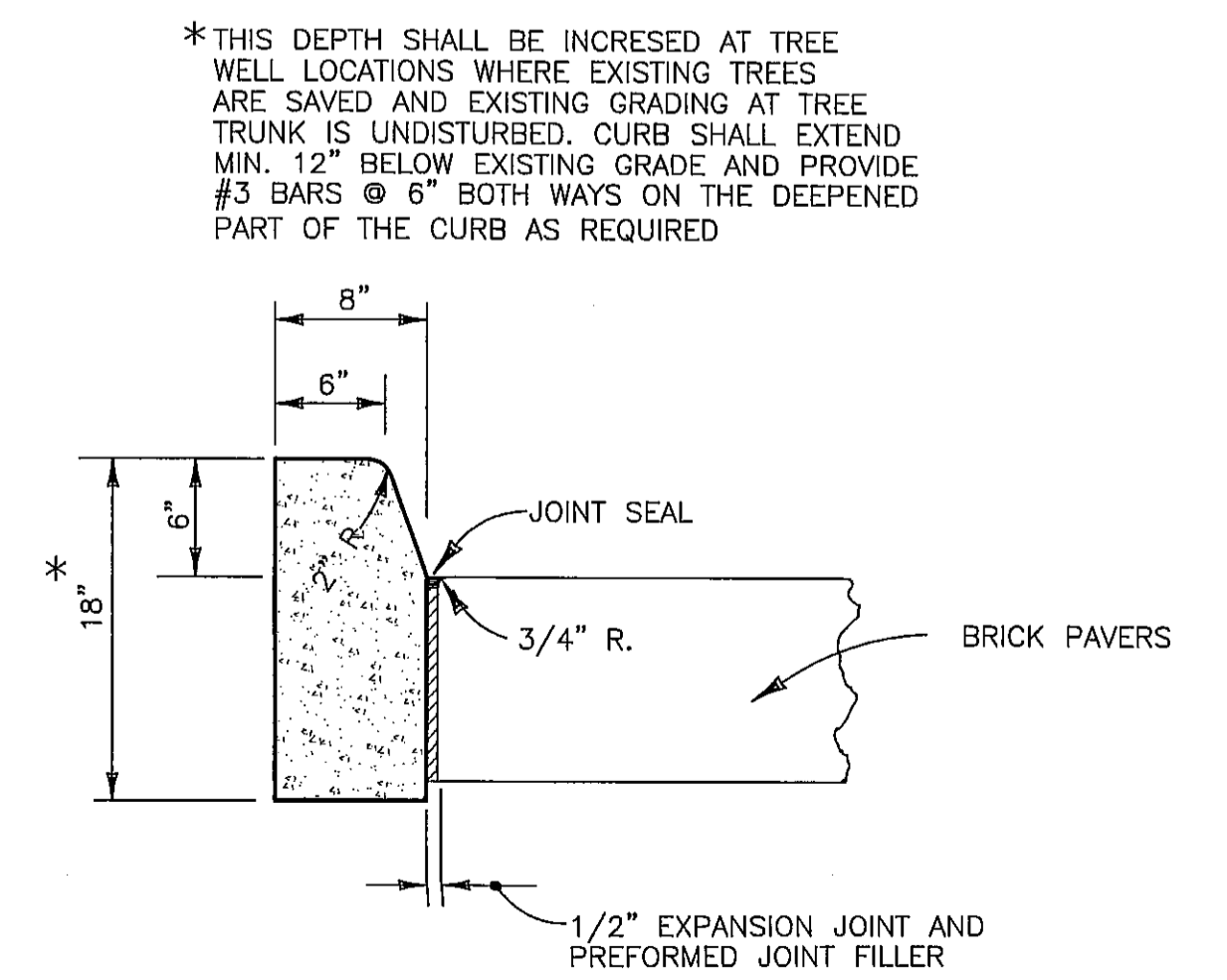
- NOTES:**
1. ALL ORGANIC MATERIAL & DEBRIS SHALL BE REMOVED & AREA GRADED & COMPACTED PRIOR TO CONCRETE PLACEMENT.
 2. THE MINIMUM COMPRESSION STRENGTH OF THE CONCRETE SHALL BE 3000 P.S.I. @ 28 DAYS.
 3. TYPE "A" & "B" JOINTS MAY BE SAW CUT.

STANDARD SIDEWALK
N.T.S.

TABLE OF SIDEWALK JOINTS	
TYPE	LOCATION
"A"	P.C. AND P.T. OF CURVES, JUNCTION OF EXIST. AND NEW SIDEWALKS
"B"	5'-0" CENTER TO CENTER ON SIDEWALKS
"C"	WHERE SIDEWALK ABUTS CONCRETE CURBS, DRIVEWAYS AND SIMILAR STRUCTURES AT INTERVALS NOT TO EXCEED 80 FEET.



SIDEWALK JOINTS
N.T.S.



TYPE "D" CURB DETAIL
N.T.S.

RECORD DRAWINGS

NO.	BY	DATE	DESCRIPTION
1	PSN	2-13-03	REVISED PER TOWN OF LONGBOAT KEY PRELIMINARY REVIEW COMMENTS
2	PSN	2-20-03	REVISED PER TOWN OF LONGBOAT KEY PRELIMINARY REVIEW COMMENTS
3	PSN	5-18-03	REVISED PER FINAL CONSTRUCTION PLAN REVIEW
4	LDL	11-5-03	SECTION D-D ADDED
5	PSN	10-8-04	REVISED CLUBHOUSE FOOTPRINT AND SIDEWALKS

George F. Young, Inc.
ARCHITECTURE • ENGINEERING • ENVIRONMENTAL • LANDSCAPE • PLANNING • SURVEYING • UTILITIES
BROOKLINGTON • GAINESVILLE • NORTH PALM BEACH • ST. PETERSBURG • SARASOTA • TAMPA
ENGINEERING STATE BUSINESS NO. EB-0000021 • SURVEYING STATE BUSINESS NO. LB-21
78 SARASOTA CENTER BOULEVARD SARASOTA, FLORIDA 34240
Since 1919 PHONE (941) 371-5362 • FAX (941) 378-3215 • E-MAIL: info@georgeyoung.com

MARK A. YOUNG, P.E. NO. 37789
AUG 01 2007
TASK: INITIALS DATE
DESIGN: S.C.M. 1-13-03
DRAWN: P.S.N. 1-24-03
CHECKED: P.C.P. 5-16-03
QUANTITY: H.F.F. 5-16-03
SCALE: 1"=30'

PREPARED FOR:
LA FIRENZA, LLC
9853 N. TAMAMI TRAIL, SUITE 218
NAPLES, FLORIDA 34108

LA FIRENZA
PAVING, GRADING AND DRAINAGE DETAILS

JOB NO.
0271007000
SHEET NO.
R12