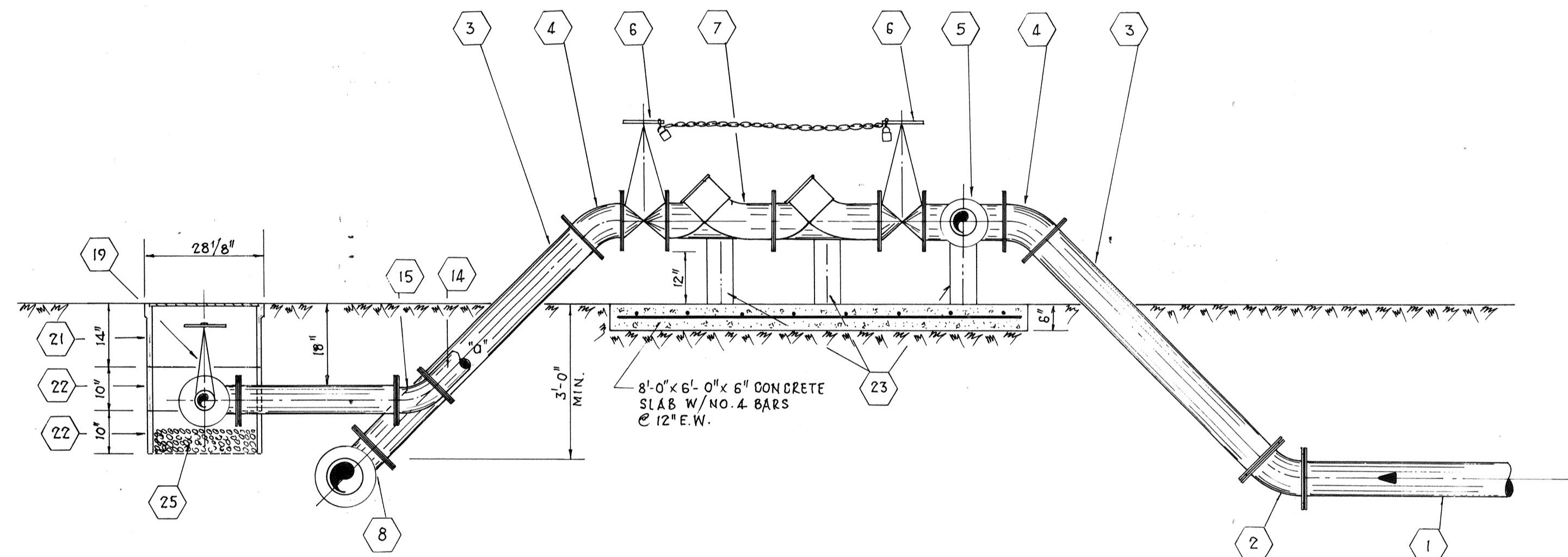


SECTION B-B

NOTES:

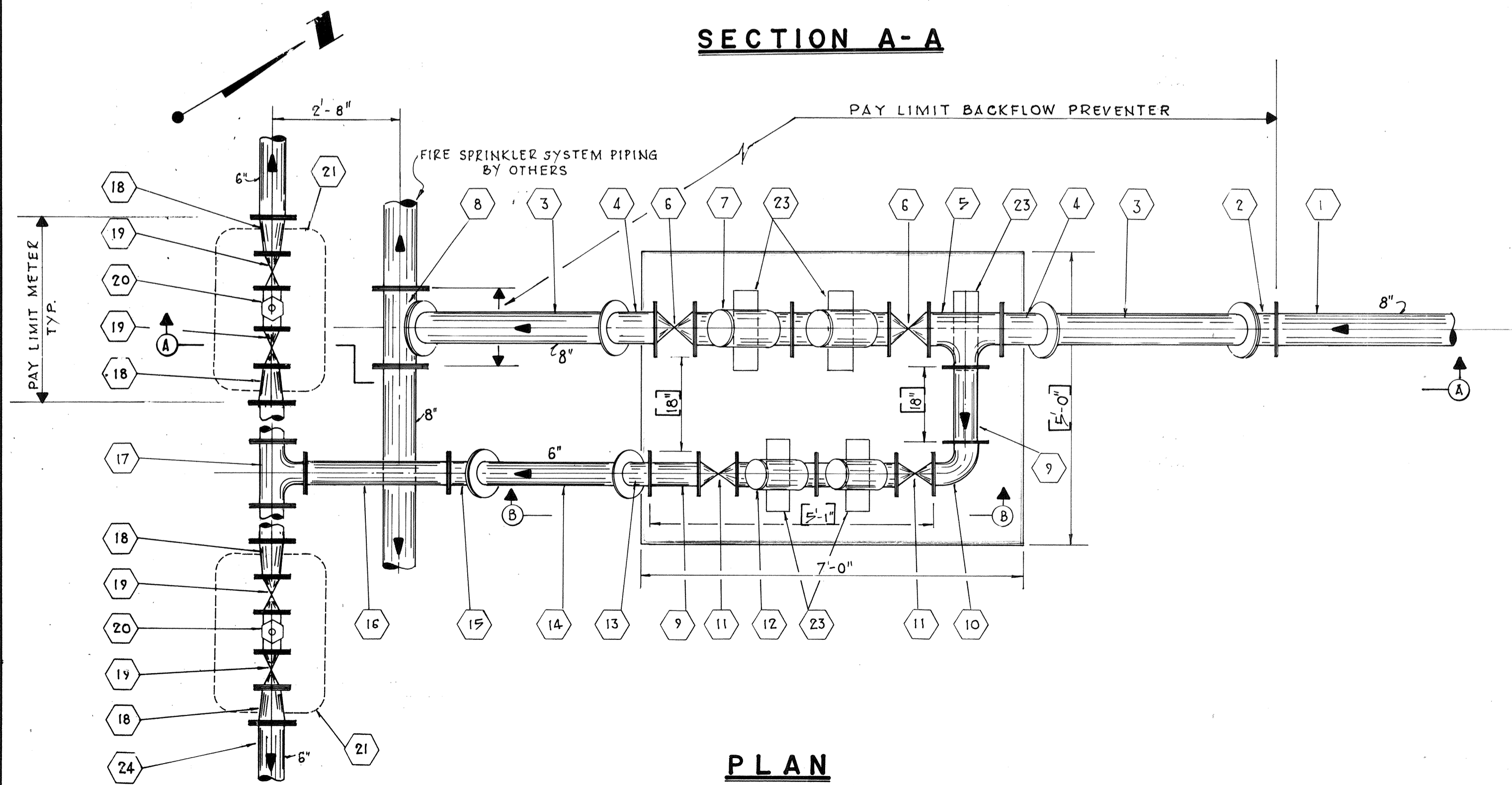
1. PRIOR TO ORDERING MATERIAL, PROVIDE SHOP DRAWINGS AND HYDRAULIC CALCULATIONS FROM FIRE SPRINKLER CONTRACTOR TO ENGINEER TO OBTAIN VERIFICATION ON EQUIPMENT SIZES BASED ON FINAL FIRE SERVICE FLOW AND PRESSURE REQUIREMENTS. THE FIRE SPRINKLER SYSTEM DESIGNER IS RESPONSIBLE FOR THE ACCURACY OF ALL SERVICE PIPE AND FITTINGS TO PROVIDE PROPER FLOW CAPACITY.
2. NO ALTERNATE EQUIPMENT, MATERIAL OR ARRANGEMENT SHALL BE USED UNLESS PRIOR APPROVAL IS OBTAINED FROM THE ENGINEER.
3. ALL CONCRETE TO BE 3000 P.S.I. @ 28 DAY FOR STRUCTURES SHOWN ON THIS DRAWING.
4. ALL PIPING AND FITTINGS THROUGHOUT THIS DETAIL SHALL BE RESTRAINED JOINT. NO FLANGES SHALL BE UTILIZED BELOW GROUND.

- 1 8" PVC (SDR 18) C-900 OR DUCTILE IRON PIPE, CLASS 53
- 2 1 - 8" - 45° BEND, M.J.
- 3 8" D.I.P. CLASS 53, RESTRAINED JOINT PIPE, FLANGED ONE END, LENGTH AS REQUIRED
- 4 1 - 8" - 45° BEND, FL.
- 5 1 - 8" x 8" x 6" TEE, FL.
- 6 2 - 8" GATE VALVE FL.. PROVIDE 3/4" GALVANIZED CHAIN AND PADLOCK PER T.L.K. REQUIREMENTS FOR EACH VALVE IN NORMALLY OPEN POSITION
- 7 1 - 8" MODEL 806 DOUBLE CHECK BACKFLOW PREVENTER BY FERCO
- 8 8" x 8" x 8" TEE, M.J.
- 9 6" D.I.P. CLASS 53, FL., LENGTH AS REQUIRED
- 10 1 - 6" - 90° BEND, FL.
- 11 2 - 6" GATE VALVE, FL.. PROVIDE 3/4" GALVANIZED CHAIN AND PADLOCK PER T.L.K. REQUIREMENTS FOR EACH VALVE IN NORMALLY OPEN POSITION
- 12 1 - 6" MODEL 806 DOUBLE CHECK BACKFLOW PREVENTER BY FERCO W/DETECTOR BY-PASS
- 13 1 - 6" - 45° BEND, FL.
- 14 6" D.I.P. CLASS 53, RESTRAINED JOINT PIPE, FLANGED ONE END, LENGTH AS REQUIRED
- 15 1 - 6" - 45° BEND, M.J.
- 16 6" D.I.P., LENGTH AS REQUIRED
- 17 1 - 6" x 6" x 6" TEE, M.J.
- 18 4 - 6" x 3" REDUCER, M.J.
- 19 4 - 3" GATE VALVE, M.J. RESILIENT WEDGE WATEROUS SERIES 500 OR APPROVED EQUAL
- 20 2 - 3" TURBINE METER BY PRECISION METERS, INC.
- 21 2 - NO. 67TR BODY AND ONE PIECE STEEL TRAFFIC COVER WITH READING LID BY BROOKS PRODUCTS, INC.
- 22 4 - NO. 67 BOX EXTENSIONS BY BROOKS PRODUCTS, INC.
- 23 CONCRETE PIPE SUPPORT. SEE DETAIL
- 24 6" PVC (SDR14) C-900 OR DUCTILE IRON PIPE, CLASS 53
- 25 6" THICK MIN. SMALL WASHED SHELL PLACED ON POLY FILTER X SUPPLIED BY CARTHAGE MILLS AND 2 LAYER OF 6 MIL BLACK VISQUEEN

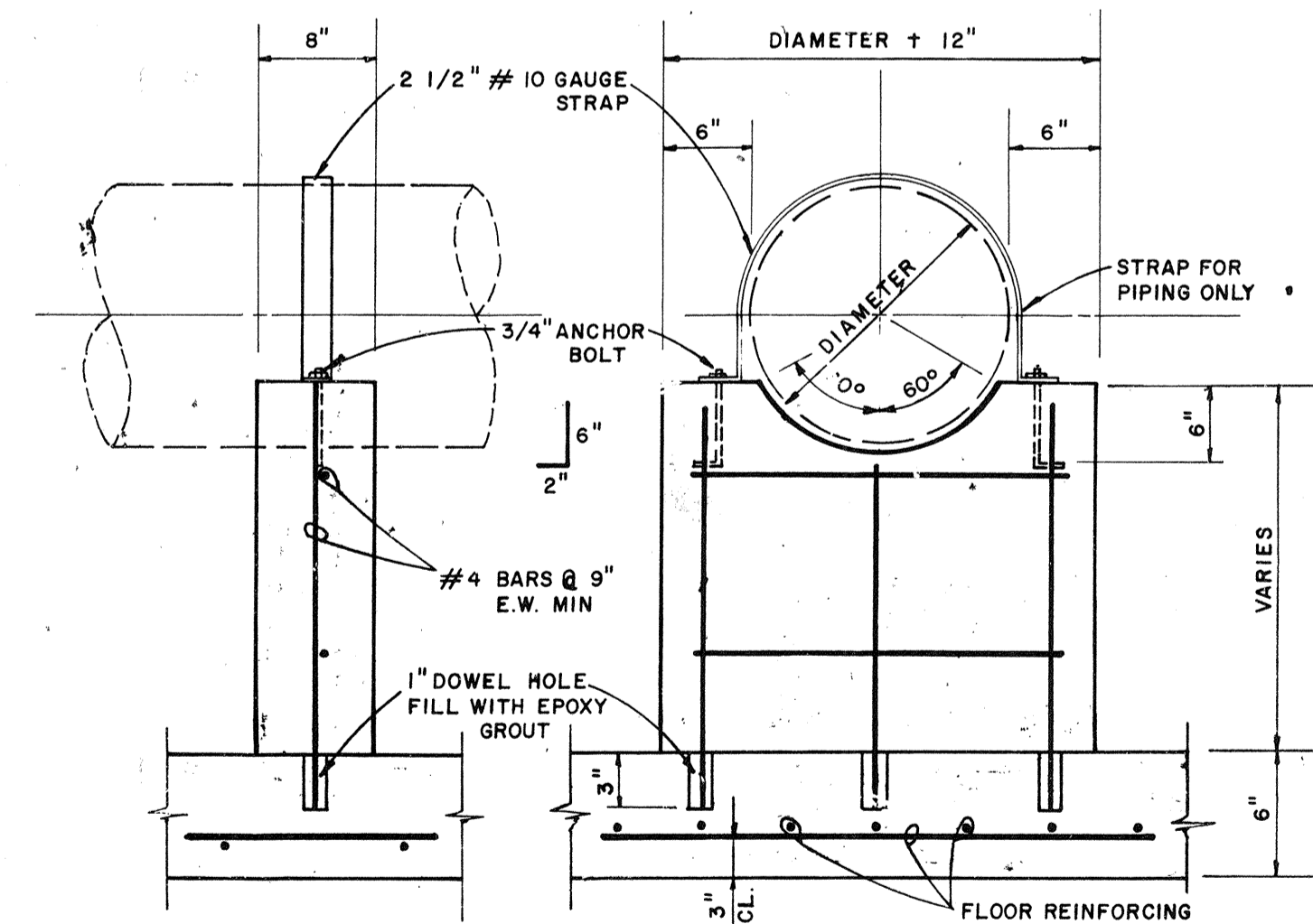


SECTION A-A

INFORMATION IN BRACKETS PROVIDED BY CONTRACTOR



PLAN
SCALE: 1/2" = 1'-0"



CONCRETE SUPPORT FOR PIPE AND FITTING
N.T.S.

FOR: YALE PROPERTIES	DESIGNED BY: J.M.B.	DATE: JULY, 1970	CHECKED BY: E.P.	PROJECT NO: 2591	DESIGNER: MILLARD J. YODEE, P.E. FL. CERT. NO. 85765
L'AMBIANCE	REVISION	BY: E.P.	DATE: 1/17/72	REVISION	BY: E.P.
DETECTOR CHECK VALVE & METER ASSEMBLY DETAIL					
SMALLY, WELLFORD & NALVEN, Inc.					
CONSULTING ENGINEERS & SURVEYORS					
133 SOUTH MCINTOSH RD. SARASOTA, FLA. 33582					
INDEX NO. G-2591-023	DRAWING NUMBER		REVISION		18