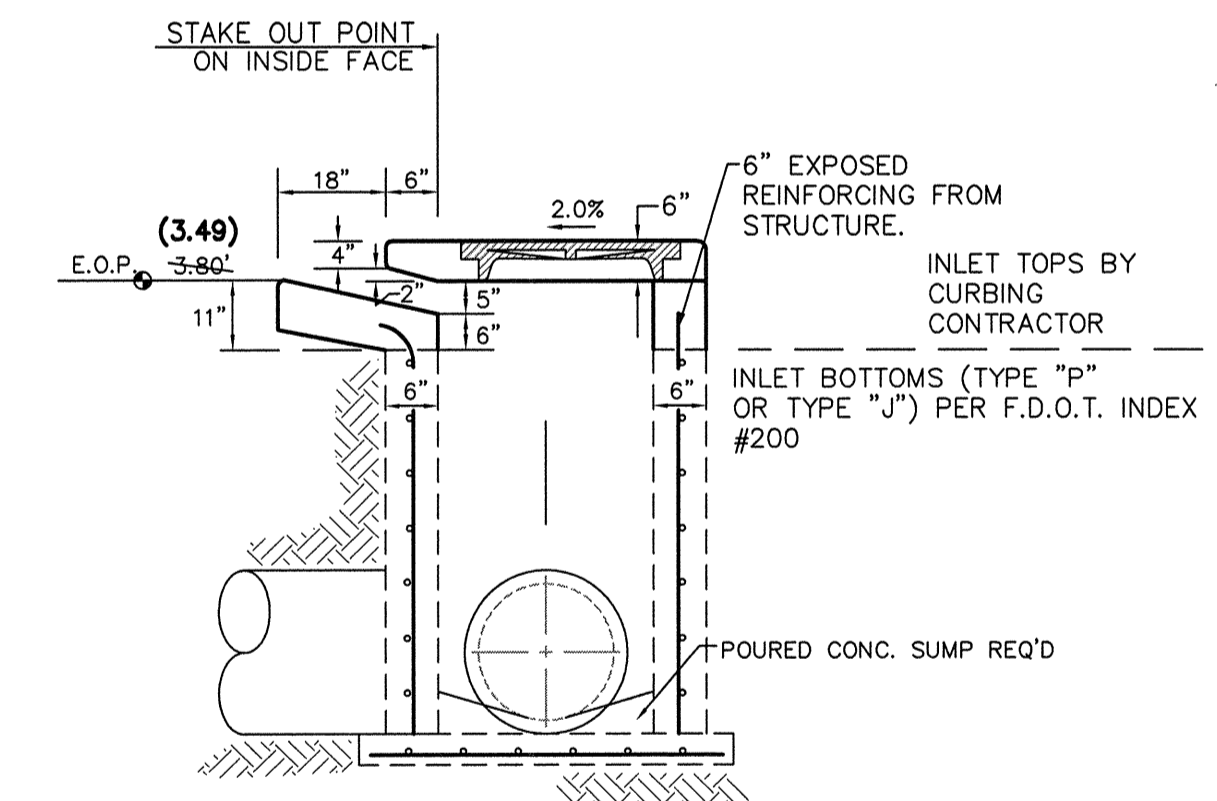
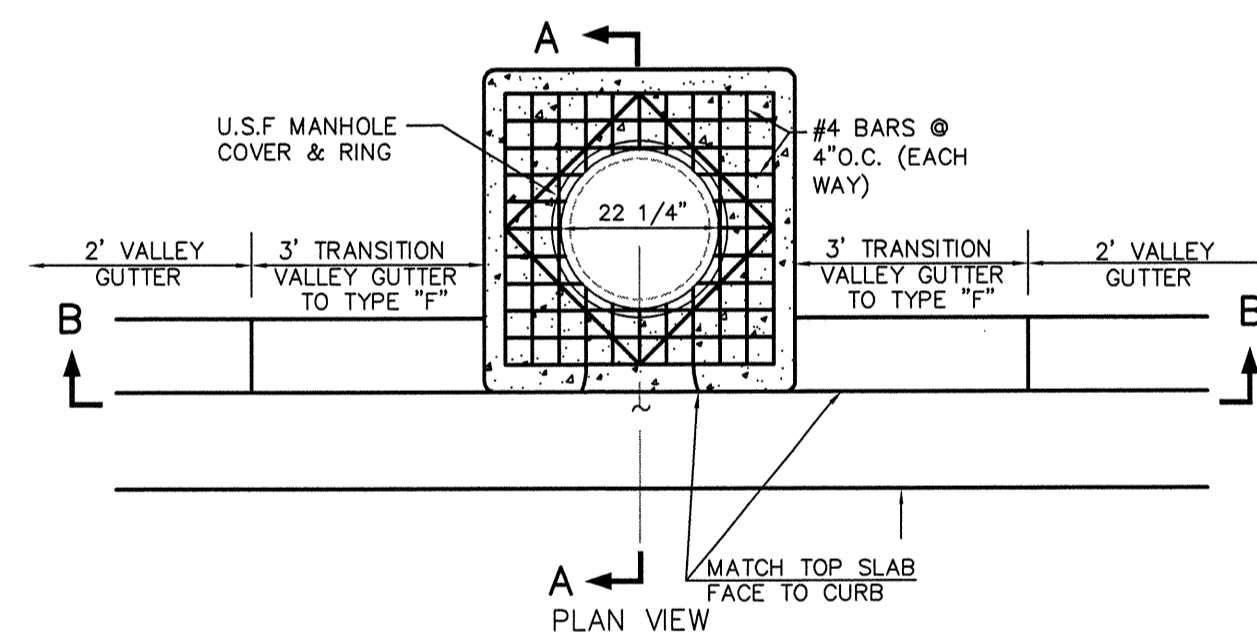
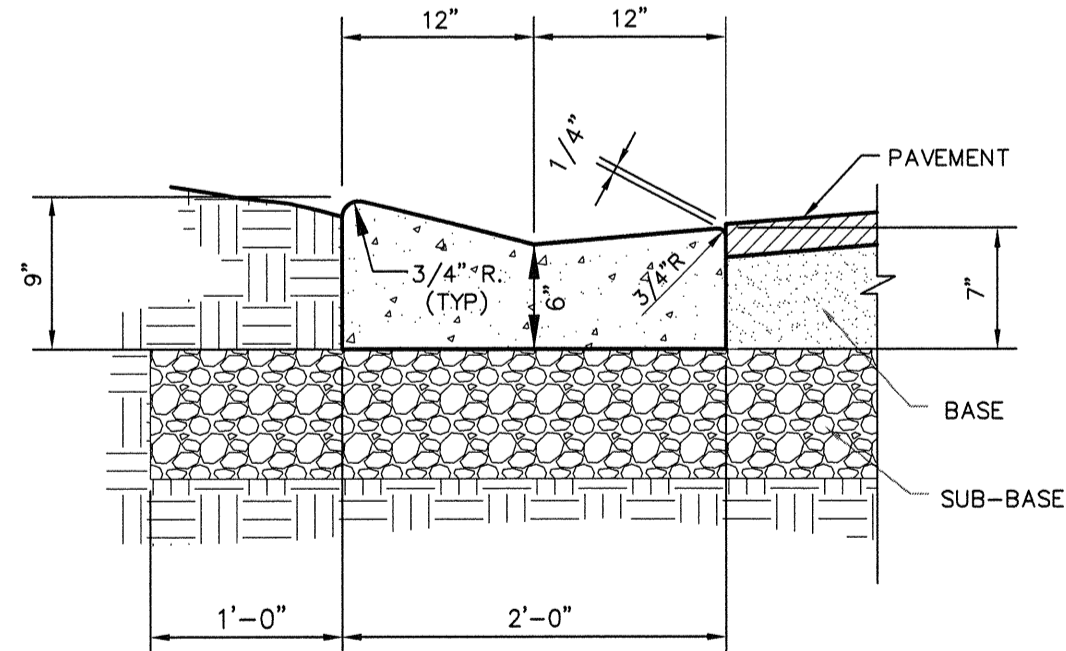
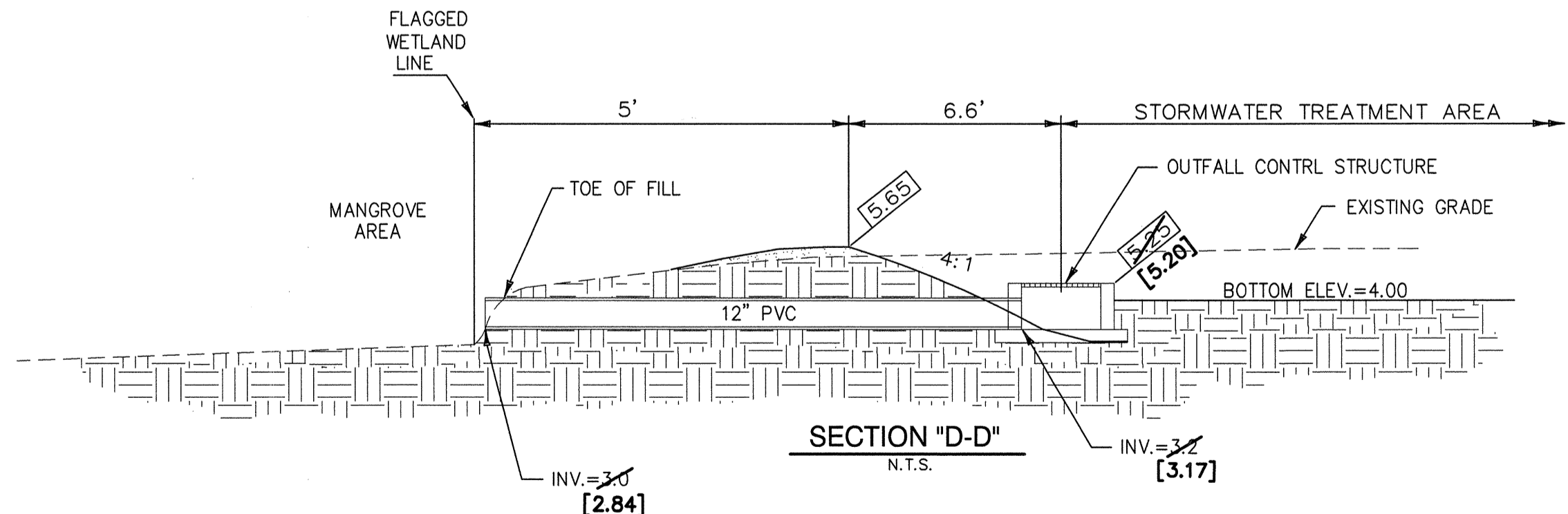


CONTROL STRUCTURE - S-3
N.T.S.



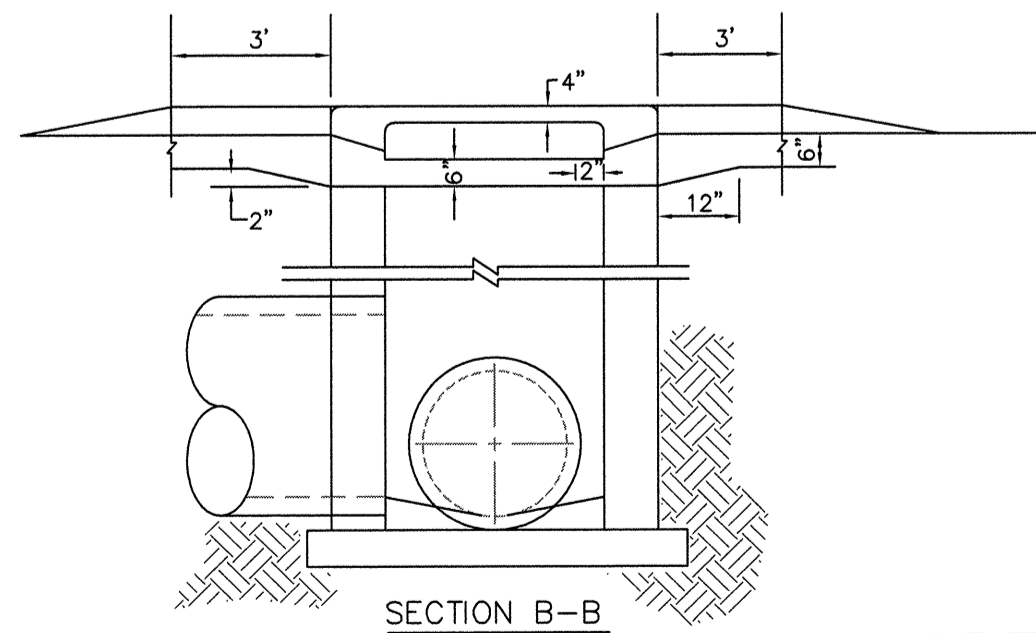
CURB INLET DETAIL
N.T.S.

SECTION A-A
N.T.S.



NOTE:
1. CONCRETE TO BE F.D.O.T. CLASS 1 OR EQUAL (3,000 PSI MINIMUM STRENGTH)
2. CONSTRUCTION TO BE ACCORDANCE WITH F.D.O.T. SPECIFICATION SECTION 520.

VALLEY CURB
N.T.S.



SECTION B-B
N.T.S.

SURVEYOR'S CERTIFICATION:
"RECORD DRAWING" DATA FROM FIELD LOCATION ON 2/20/05 PER MEASUREMENTS TAKEN UNDER MY SUPERVISION AS SHOWN BOLD AND IN BRACKETS HEREON, PROVIDED BY:
CALVIN J. REED, PLS
4600 TRI PAR DRIVE
SARASOTA, FL 34234
(941) 351-2317
CALVIN J. REED
FL. PLS #2915

RECORD DRAWING

RECORD INFORMATION SHOWN [BRACKETS] PROVIDED BY BANKS ENGINEERING, INC.
RECORD INFORMATION SHOWN (IN PARENTHESES) PROVIDED BY CONTRACTOR UNDER OBSERVATION OF ENGINEER

NO.	DATE	REVISION DESCRIPTION	BY
03	05/06/07	REVISED SECTION A-A TO INCLUDE RECORD DIMENSIONS, AS PER C.R.	P.B
02	09/12/05	REVISE SECTION D-D, "NOW WETLAND IMPACT"	JCS
01	05-10-05	CHANGE SHEET TITLE	EAH

TERENCE BLACKMAN
741 HIDEAWAY BAY DRIVE
LONG BAY KEY, FLORIDA 34228
PH (941) 955-7096

Banks Engineering, Inc.
Professional Engineers, Planners, & Land Surveyors
SARASOTA ♦ FORT MYERS ♦ NAPLES
1144 TALLEVAST ROAD, SUITE 115
SARASOTA, FLORIDA 34243
PHONE: (941)360-1618 FAX: (941)360-6918
ENGINEERING LICENSE EB-0006469
SURVEY LICENSE LB-0006690

SHANE G. BOGNER
PE# 53998
MAY 16 2007
DATE

"RECORD DRAWING"

PAVING, GRADING, AND DRAINAGE DETAILS
MANGROVE BAY
MANATEE COUNTY, FLORIDA

DATE	PROJECT	DRAWING	DESIGN	DRAWN	CHECKED	SCALE	SHEET	OF	FILE NO. (S-T-R)
1-28-05	6181-001		JGS	EAH	JGS	1"=30'	5	5	23-355-16E