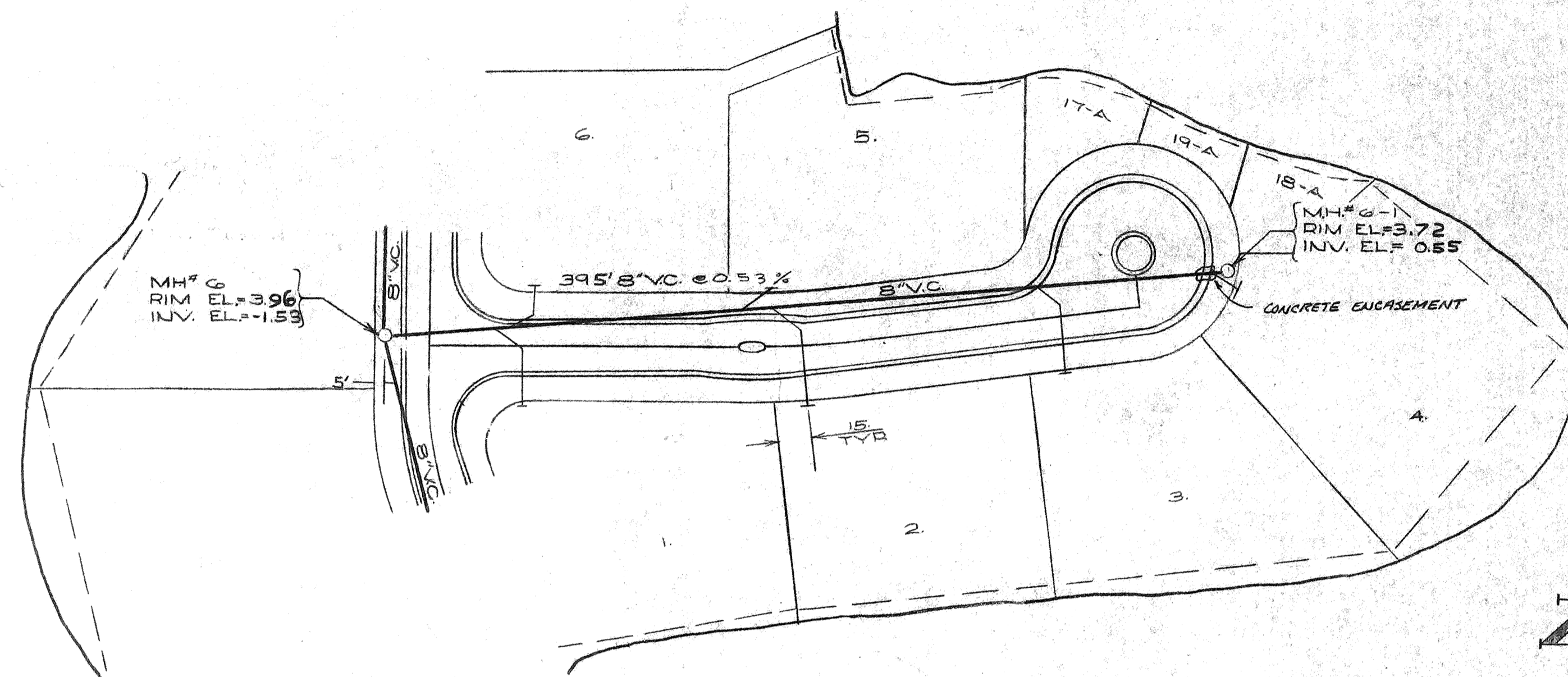
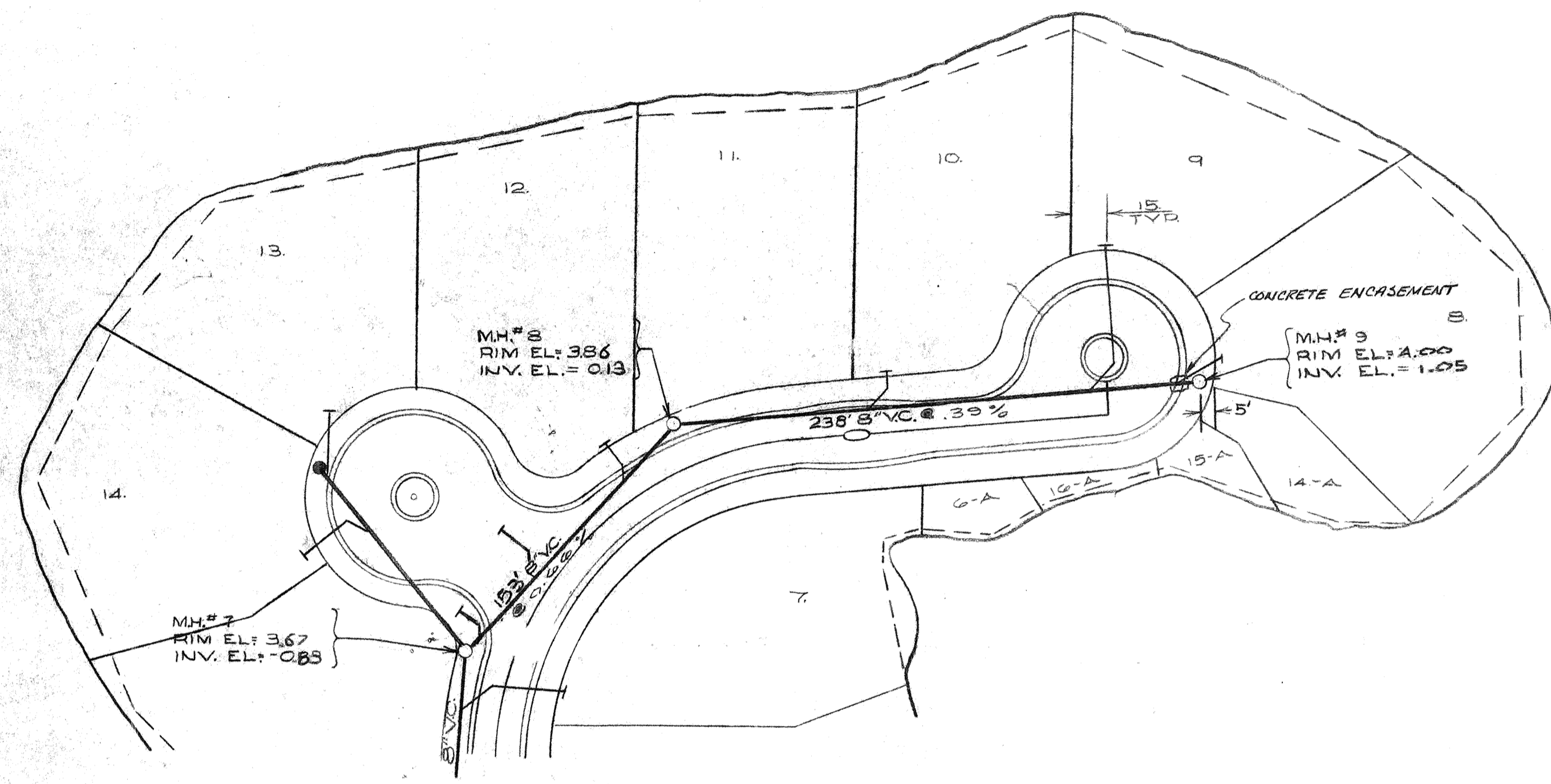


PLAN
 SURVEYED BY
 PLOTTED BY
 NOTE BOOK NO.
 ALIGNMENT CHECKED BY
 RT. OF WAY CHECKED BY
 No.



SCALE
 HORIZ: 1" = 50'
 VERT: 1" = 2'

PROFILE
 SURVEYED BY
 NOTE BOOK NO.
 GRADES CHECKED BY
 S.A. NOTED BY
 STRUCTURE NOTATIONS CHECKED BY
 No.

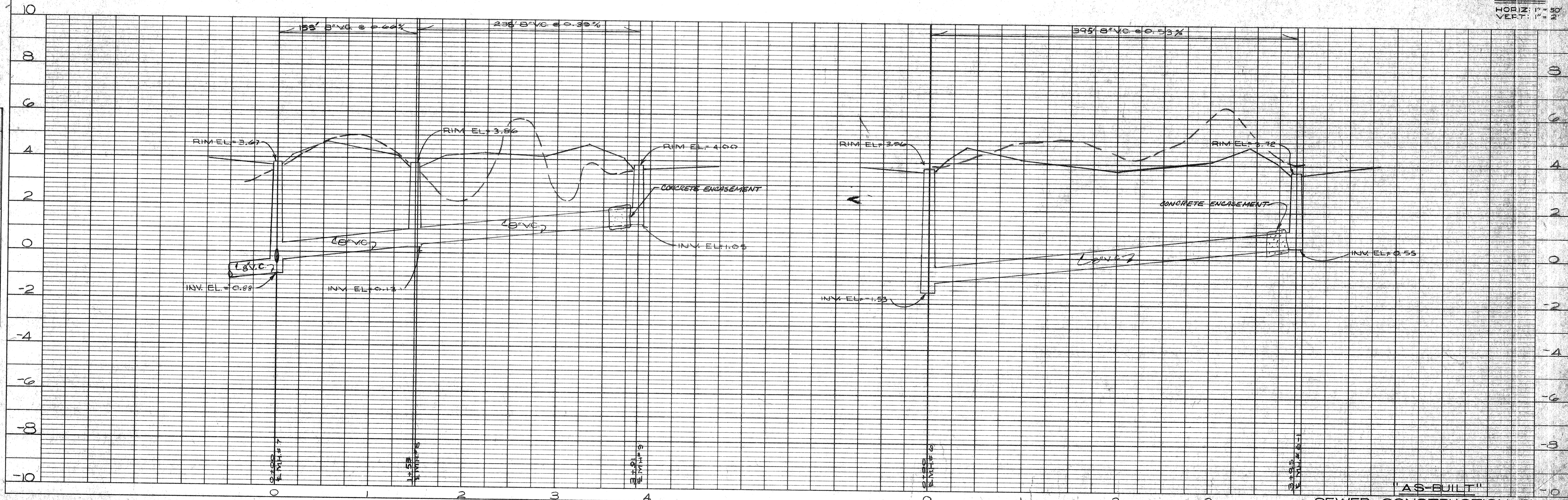


PLATE 1—SINGLE PLAN—PROFILE C. P. R. & E. STANDARD
 L. I. RIDGWAY COMPANY, INC.
 100% RAG — MADE IN U.S.A.

"AS-BUILT"
 SEWER CONSTRUCTION PLAN
 FOR
 HIDEAWAY BAY
 (REVISED 1-12-78)
 SHEET 7 OF 8

HIDEAWAY BAY