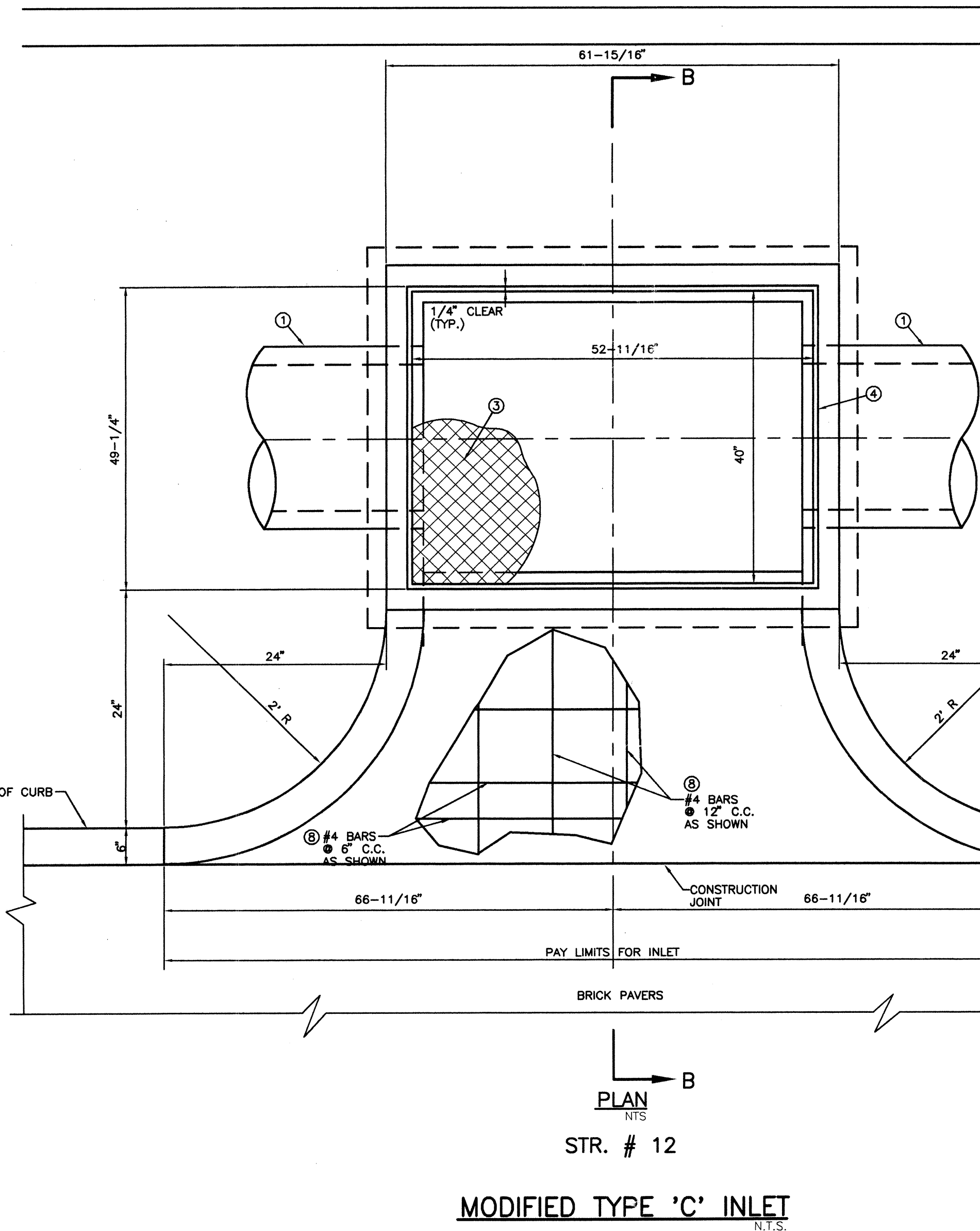


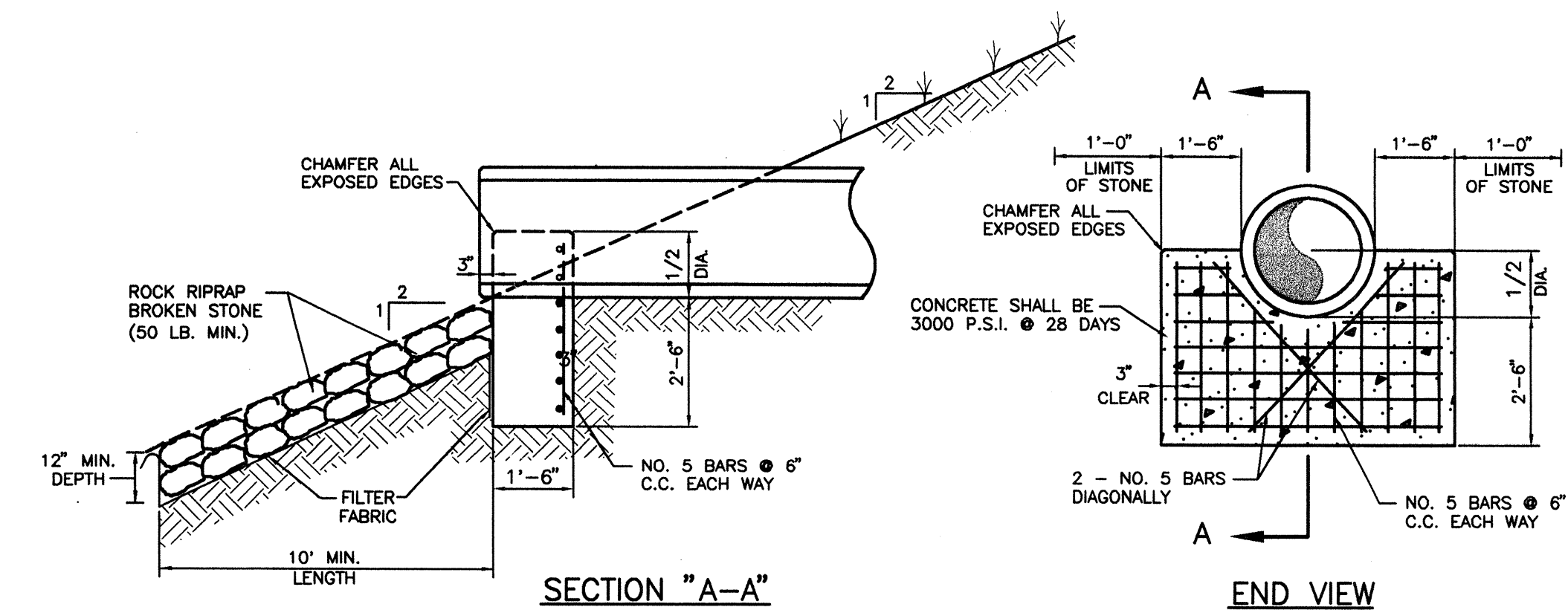
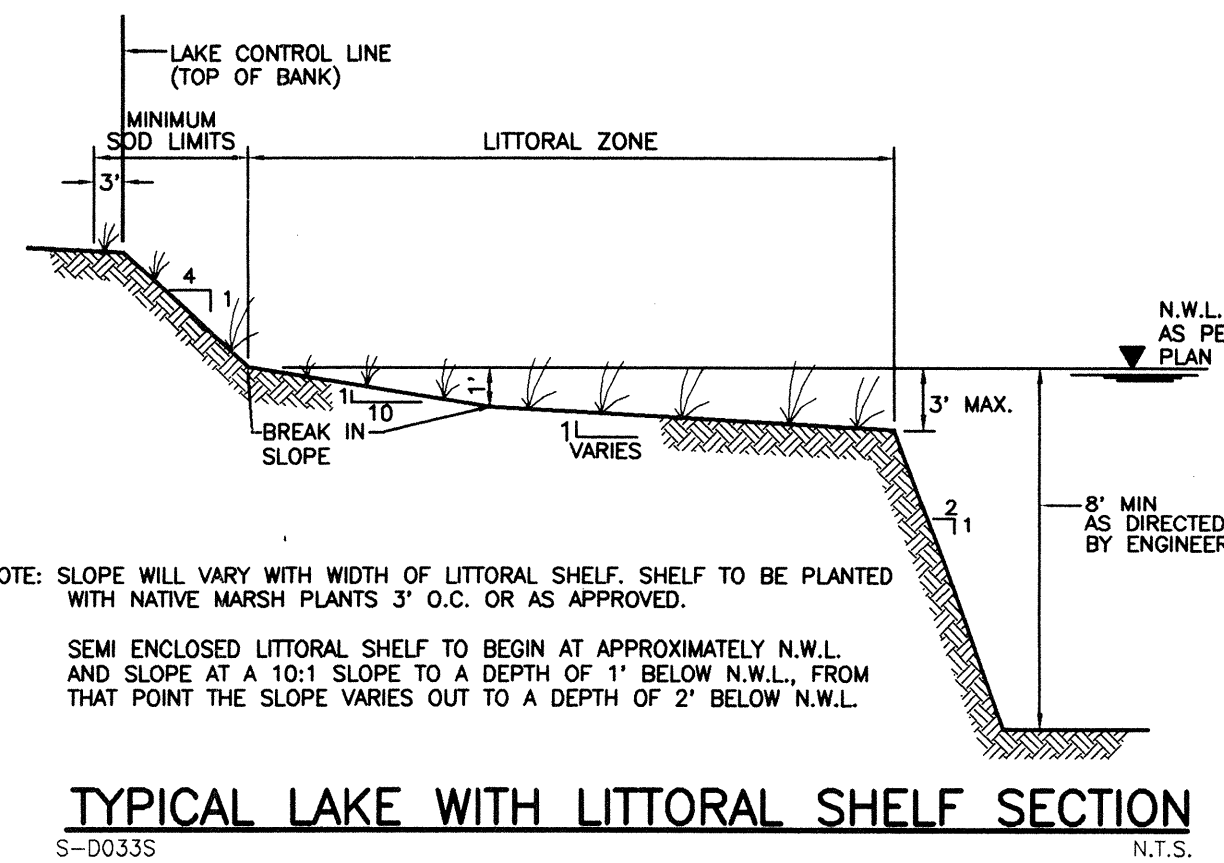
NOTES

1. INLET SHALL HAVE 3" DIA. HOLE AT THE BOTTOM OF THE BOX CLEAR OF THE PIPE CONSTRUCTION, TO BE PLUGGED WHEN CONCRETE INVERT FORMED.
2. FRAME & GRATE SHALL BE OF STEEL CONSTRUCTION COATED WITH 2 APPLICATIONS OF INTERLOK 49, 12 MILS DRY FILM THICKNESS EACH COAT, 24 MILS TOTAL.
3. 3/4" CHAMFER ALL EXPOSED EDGES.
4. 3000 PSI CONCRETE @ 28 DAYS SHALL BE USED THROUGHOUT.
5. REINFORCING STEEL SHALL BE INTERMEDIATE GRADE BILLET WITH DEFORMATIONS CONFORMING TO ASTM A-615-76A. ALL STEEL SHALL BE 2" CLEAR UNLESS OTHERWISE NOTED.
6. THE CONTRACTOR SHALL SUBMIT SHOP DRAWINGS OF THE SKIMMER ASSEMBLY, FOR APPROVAL, PRIOR TO CONSTRUCTION.
7. POUR CONCRETE INVERT AFTER INLET AND PIPES ARE SET IN PLACE.



NOTES:

1. SEE STORM PIPING PLAN DRAWINGS FOR PIPE SIZE, ALIGNMENT, FLOWLINE AND GRATE ELEVATIONS
2. ALL INLETS SHALL HAVE 3" DIA. HOLE AT THE BOTTOM OF THE BOX CLEAR OF THE PIPE CONSTRUCTION, TO BE PLUGGED WHEN CONCRETE INVERT FORMED.
3. U.S.F. GRATE NO. 6615 (STEEL 40" x 52 11/16" x 2")
4. FRAME & GRATE SHALL BE OF STEEL CONSTRUCTION COATED WITH 2 APPLICATIONS OF INTERLOK 49, 12 MILS DRY FILM THICKNESS EACH COAT, 24 MILS TOTAL.
5. 3/4" CHAMFER ALL EXPOSED EDGES.
6. 3000 PSI CONCRETE @ 28 DAYS SHALL BE USED THROUGHOUT.
7. POURED CONCRETE INVERT AFTER INLET AND PIPE PLACED IN GROUND, 3000 PSI @ 28 DAYS.
8. REINFORCING STEEL SHALL BE INTERMEDIATE GRADE BILLET WITH DEFORMATIONS CONFORMING TO ASTM A-615-76A. ALL STEEL SHALL BE 1 1/2" CLEAR UNLESS OTHERWISE NOTED.



NOTES:

1. CONCRETE SHALL BE 3000 P.S.I. @ 28 DAYS
2. CHAMFER ALL EXPOSED EDGES 3/4".
3. RIPRAP SHALL BE SUPPLIED AND CONSTRUCTED AS DEFINED IN THE F.D.O.T. SPECIFICATIONS SEC. 530, RIPRAP, SPECIFICALLY SEC. 530-3.3 RUBBLE. NO BROKEN CONCRETE SHALL BE USED.
4. FILTER FABRIC SHALL BE SUPPLIED AND CONSTRUCTED AS DEFINED IN THE F.D.O.T. SPECIFICATIONS SEC. 514, PLASTIC FILTER FABRIC, SPECIFICALLY SEC. 514-3.4 RIPRAP, INCLUDED IN UNIT COST OF ENDWALL.

ENDWALL DETAIL
S=0010
STR. # 3, 18

REV. NO.	REVISION	DATE	DESIGNED BY	CHECKED BY	CONTRACT ADMIN. BY	DATE
1	REV. TYPE "C" CONTROL STRUCTURE	11/00	RJL/140B			

WilsonMiller
Planners • Engineers • Ecologists • Surveyors • Landscape Architects • Transportation Consultants
Naples • Fort Myers • Sarasota • Bradenton • Tampa
6000 Professional Parkway East, Suite 100 • Sarasota, Florida 34240-9464 • Phone 941-907-8900 • Fax 941-907-8910 • Web Site www.wilsonmiller.com

CLIENT:	LAURELTON MERRICK CORPORATION	DATE:	4/00	TITLE:	DRAINAGE DETAILS
PROJECT:	EN PROVENCE	HORIZONTAL SCALE:	AS SHOWN	CROSS REFERENCE FILE NO.:	03317-000-000-FLFCP
		VERTICAL SCALE:	AS SHOWN	PROJECT NUMBER:	03317-000-000-FLFCP
		SEC. TWP. RGE.:	17 36S 17E	SHEET NUMBER:	7 OF 12