

FIGURE 1

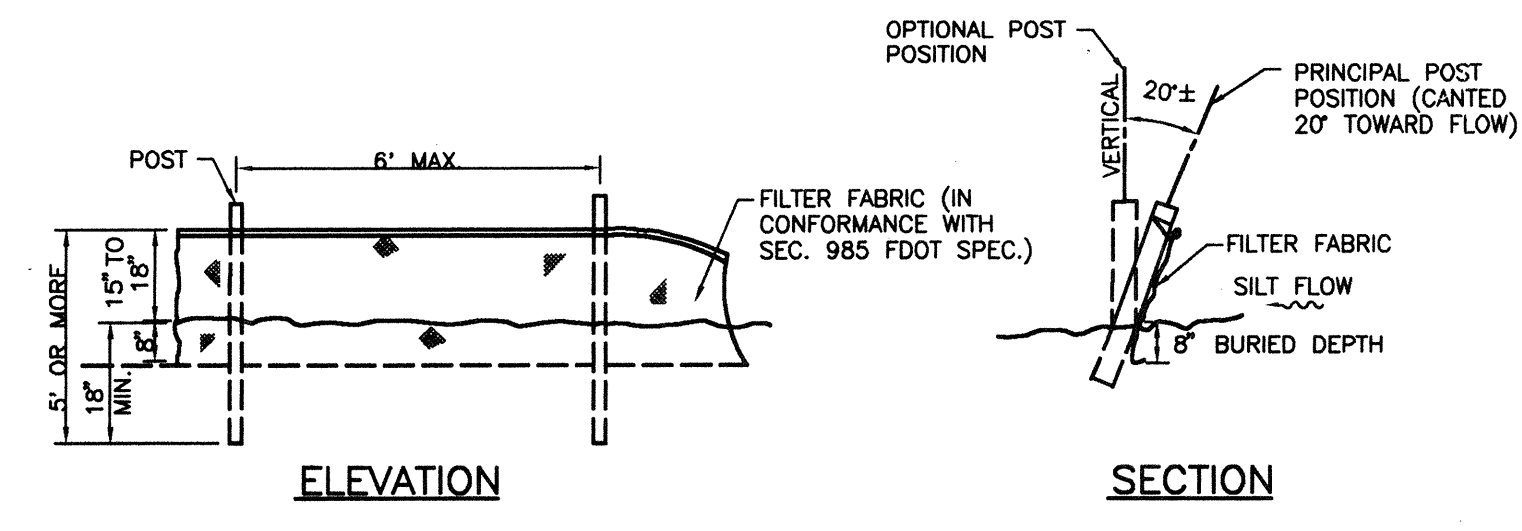


FIGURE 2

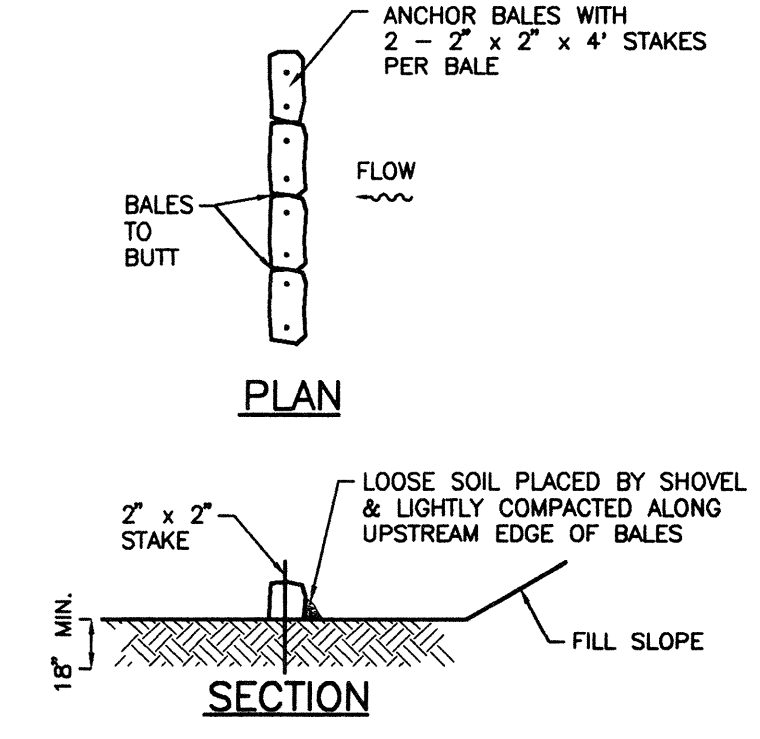


FIGURE 3

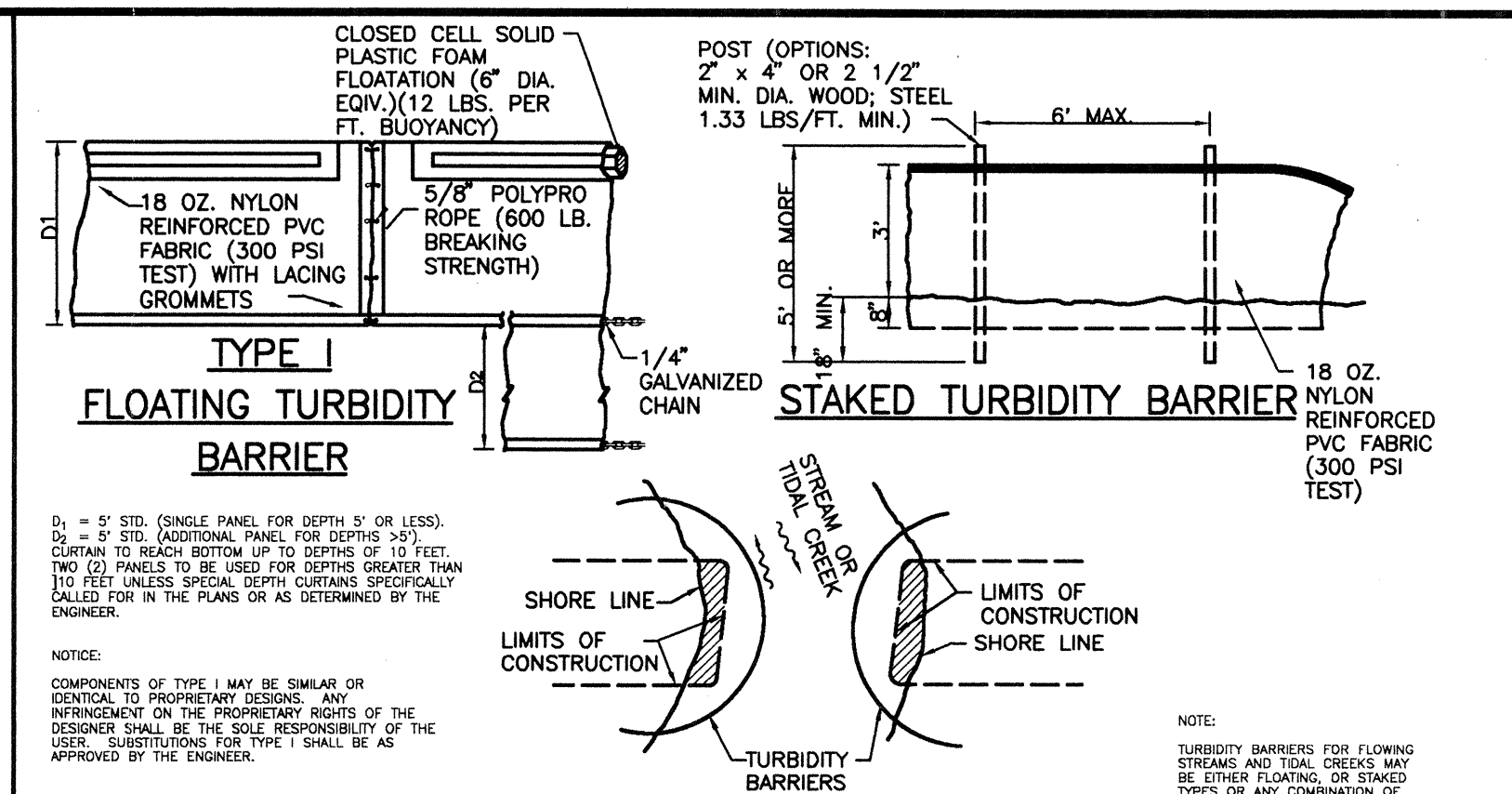


FIGURE 4

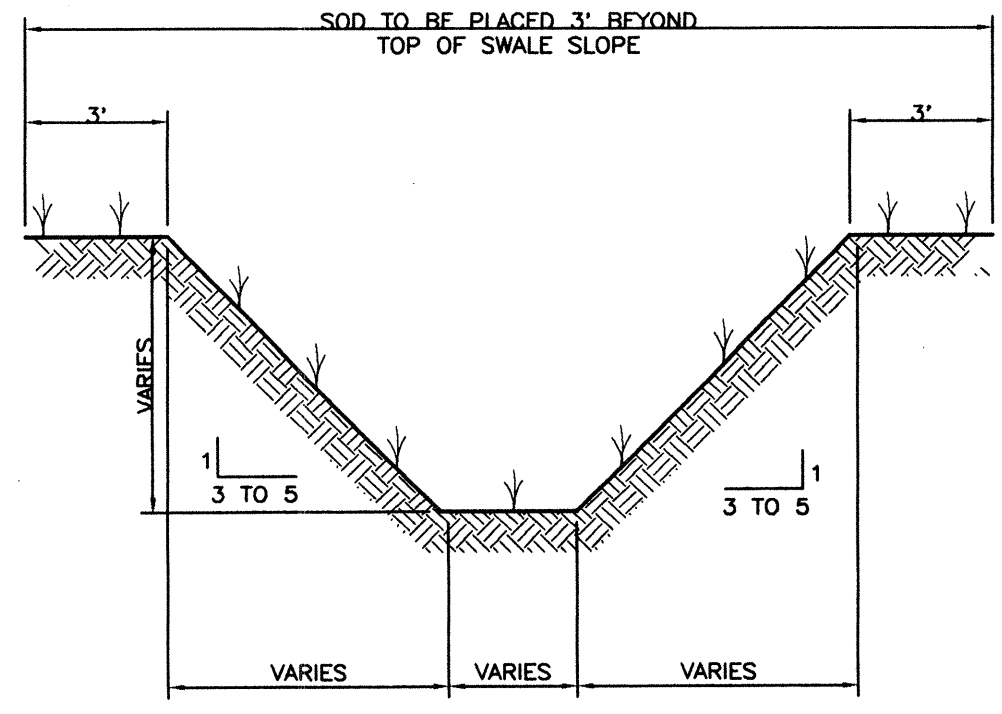


FIGURE 5

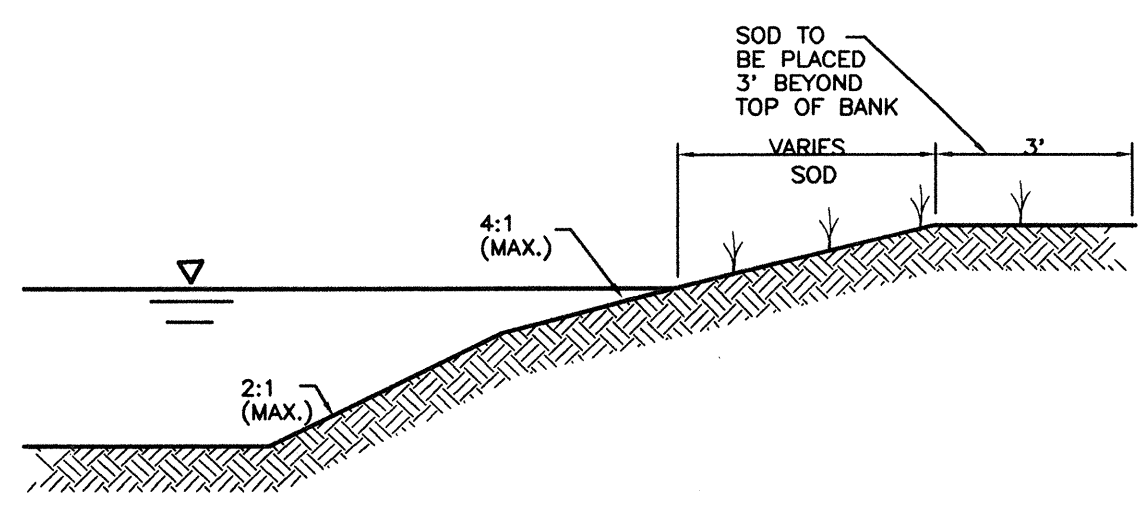


FIGURE 6

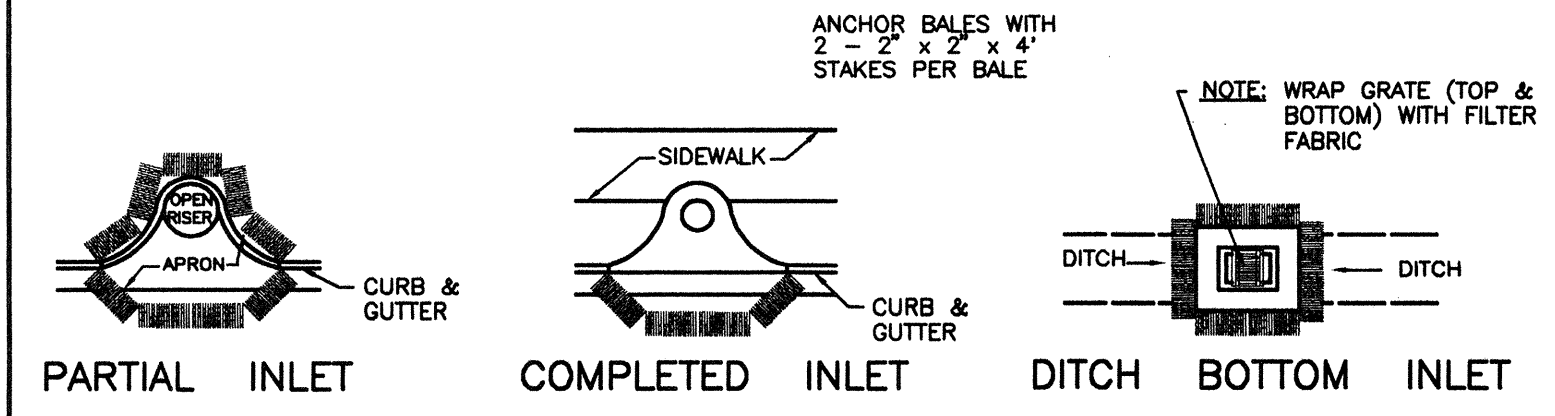


FIGURE 7

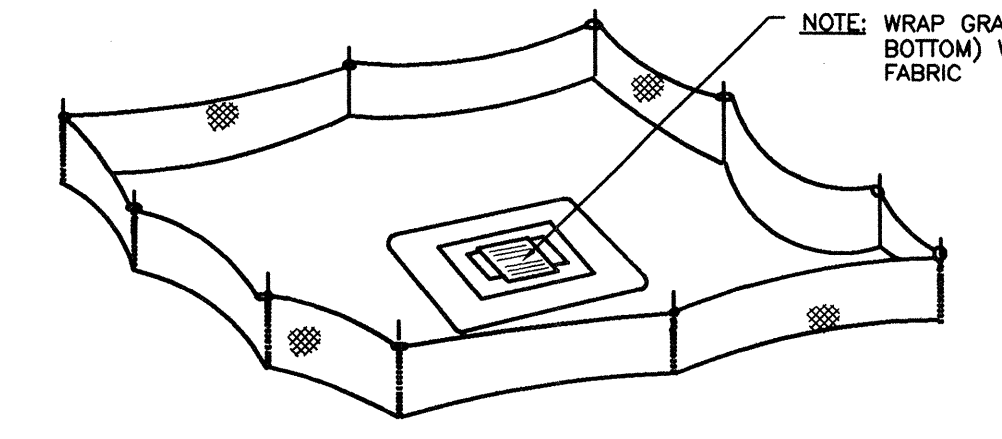


FIGURE 8

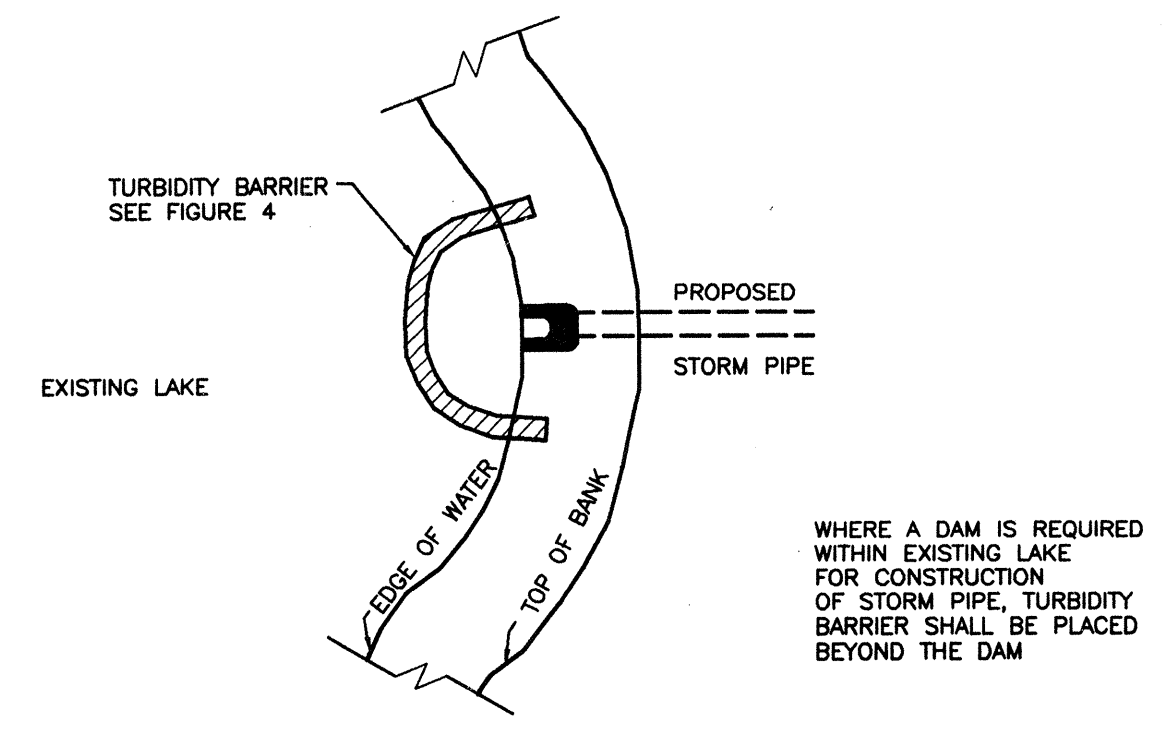


FIGURE 9

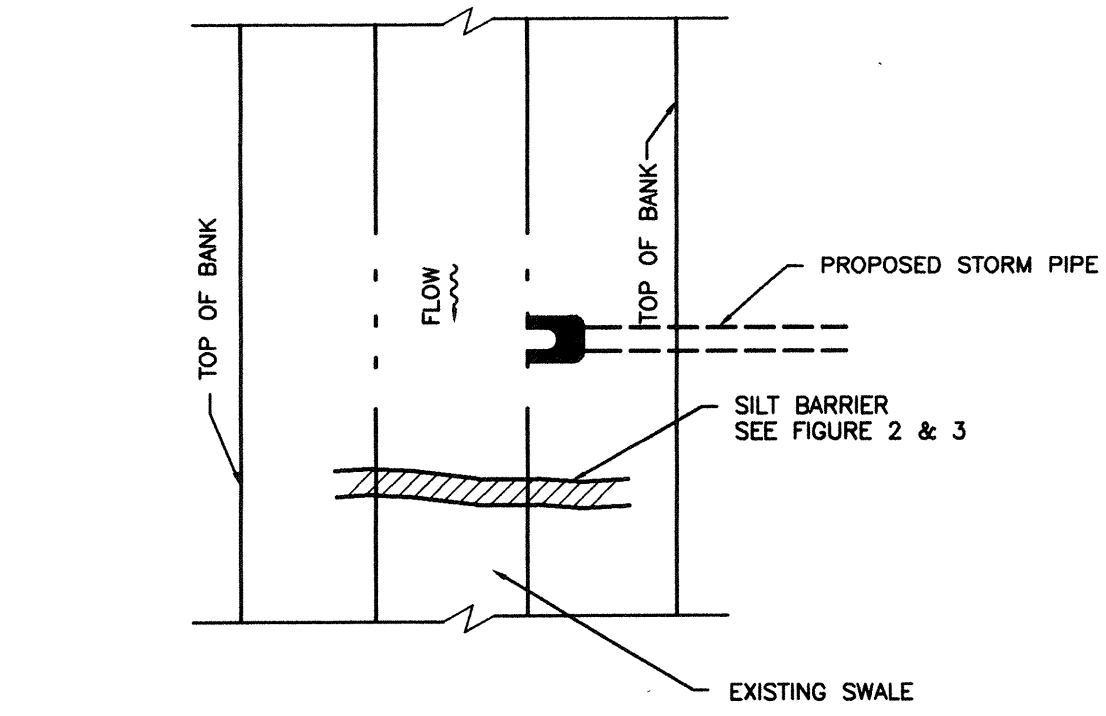


FIGURE 10

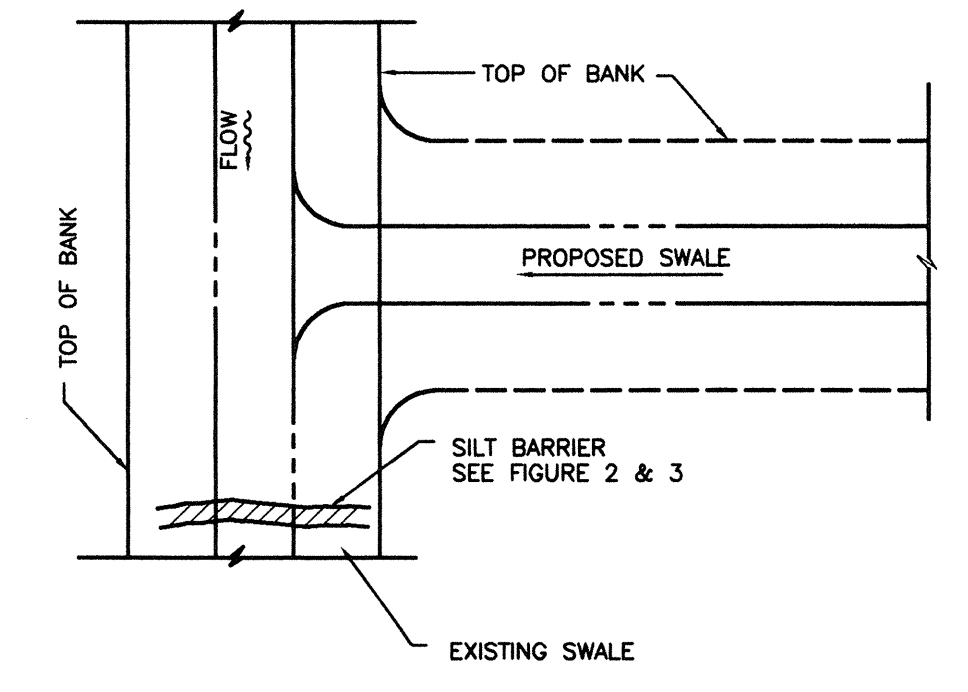


FIGURE 11

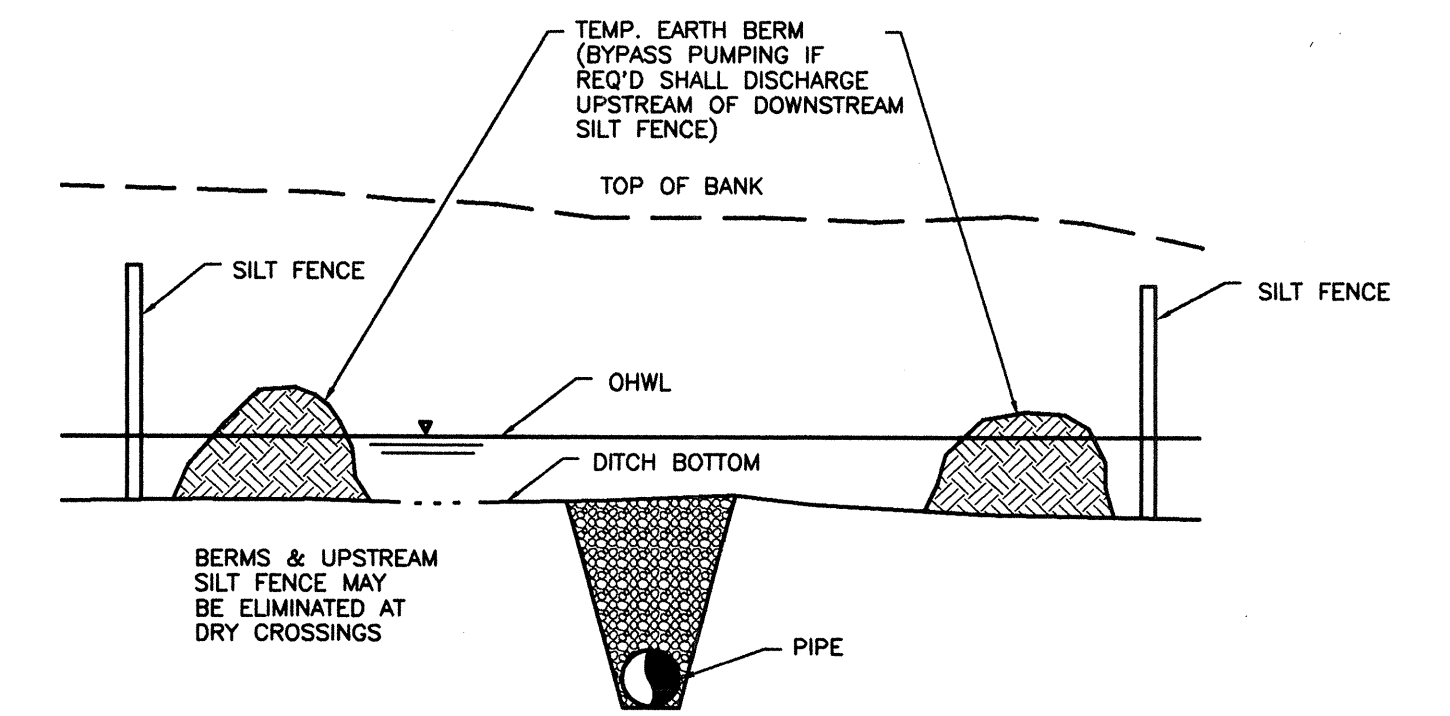


FIGURE 12

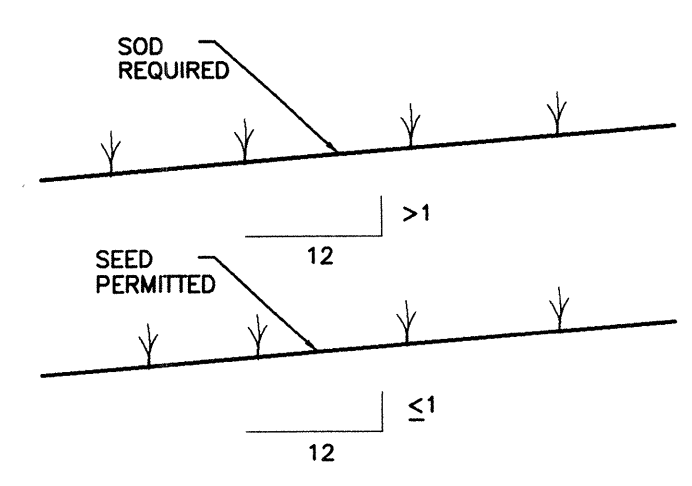


FIGURE 13

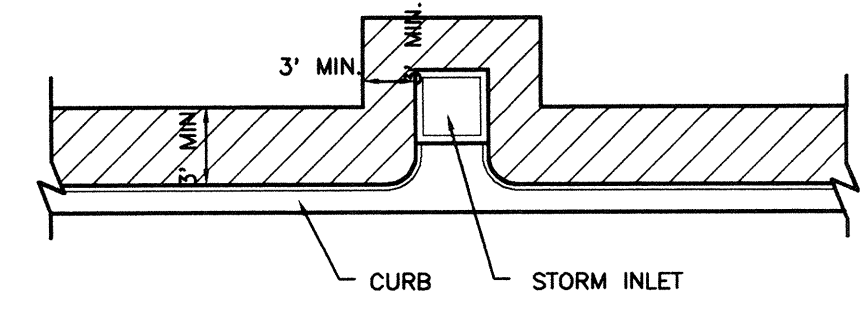


FIGURE 14

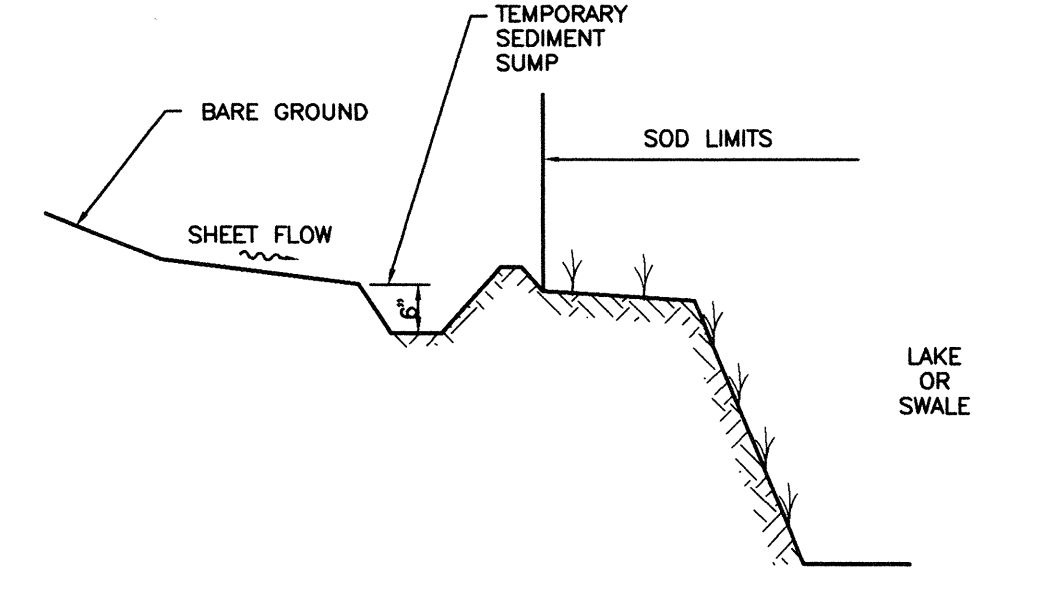


FIGURE 15

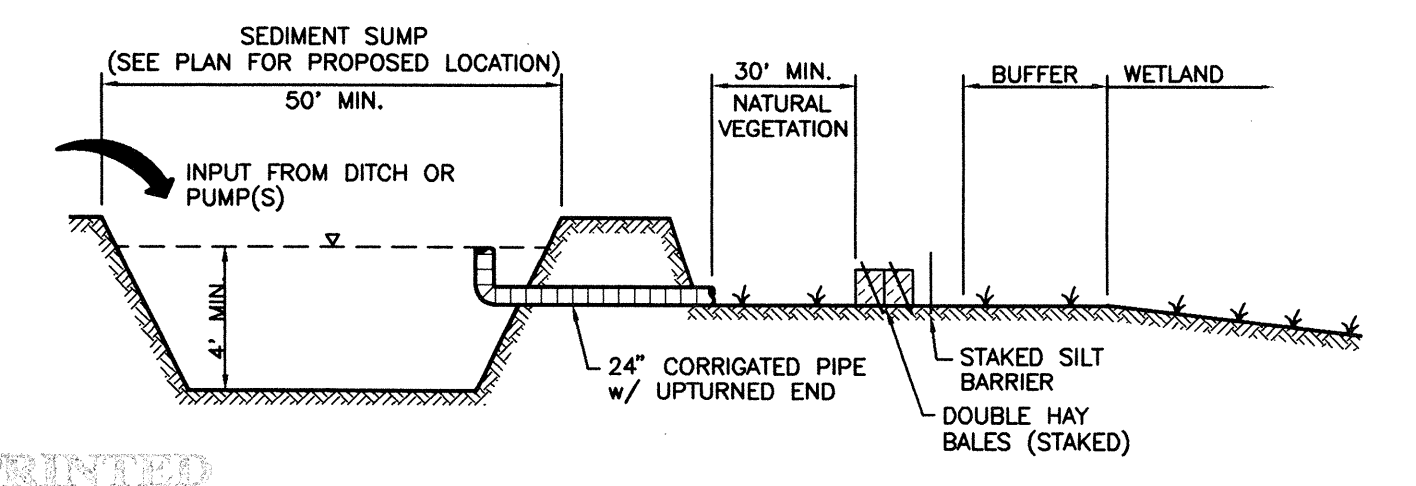


FIGURE 16

REV. NO.	REVISION	DATE	DRAWN BY / EMP. NO.	CHECKED BY / EMP. NO.	WM APPROVED BY:

WilsonMiller
Planners - Engineers - Ecologists - Surveyors - Landscape Architects - Transportation Consultants
WilsonMiller, Inc.
Naples, Fort Myers - Sarasota - Bradenton - Tampa
6800 Professional Parkway East, Suite 200 - Sarasota, Florida 34240-8414 - Phone 941-907-6900 - Fax 941-907-6910 - Web Site www.wilsonmiller.com

CLIENT:	LAURELTON MERRICK CORPORATION	DATE:	4/00	TITLE:	BEST MANAGEMENT PRACTICES DETAILS
PROJECT:	EN PROVENCE	HORIZONTAL SCALE:	-	INDEX NUMBER:	D-03317-000-000-000031
		VERTICAL SCALE:	-	SHEET NUMBER:	12 OF 12
		SEC. TWP. RGE. CROSS REFERENCE FILE NO.	17 36S 17E	PROJECT NUMBER:	03317-000-000-FLFCP