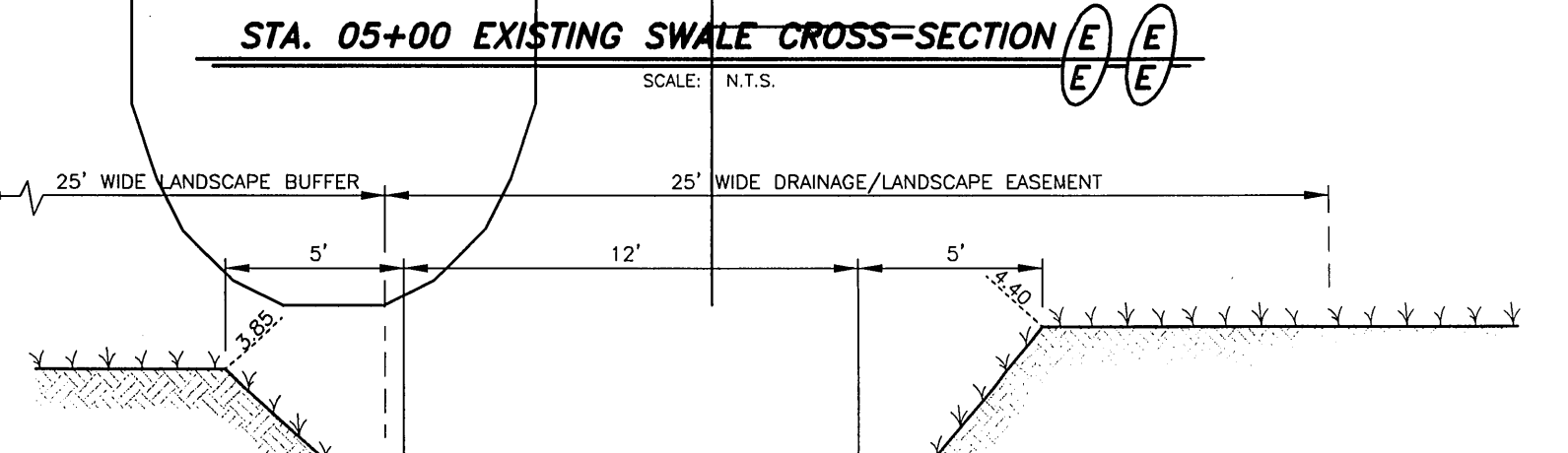
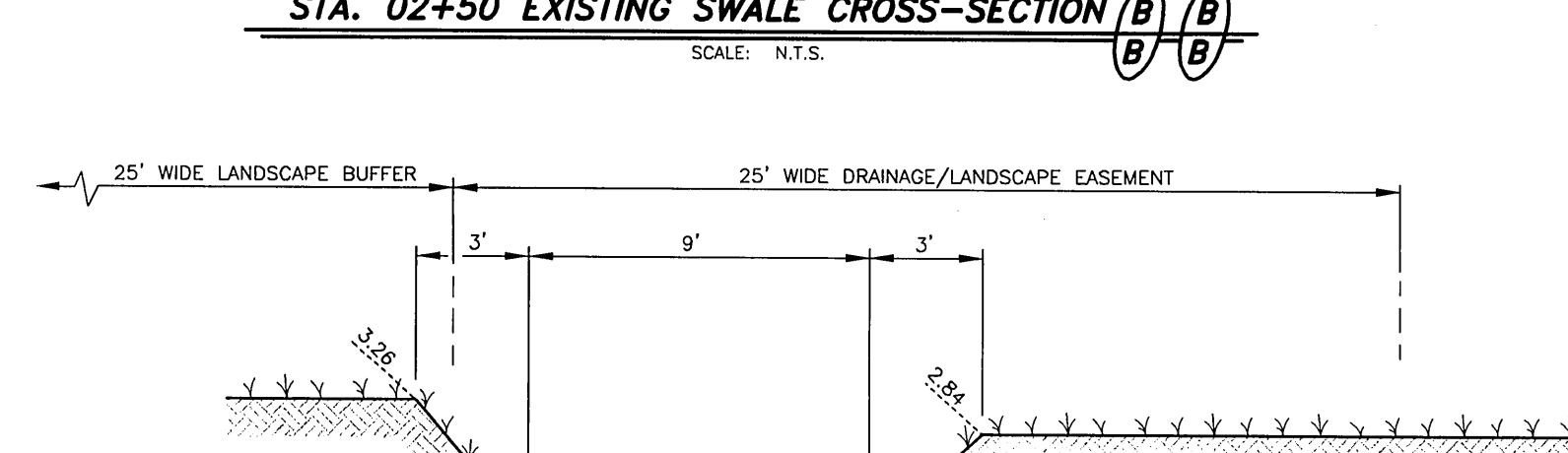
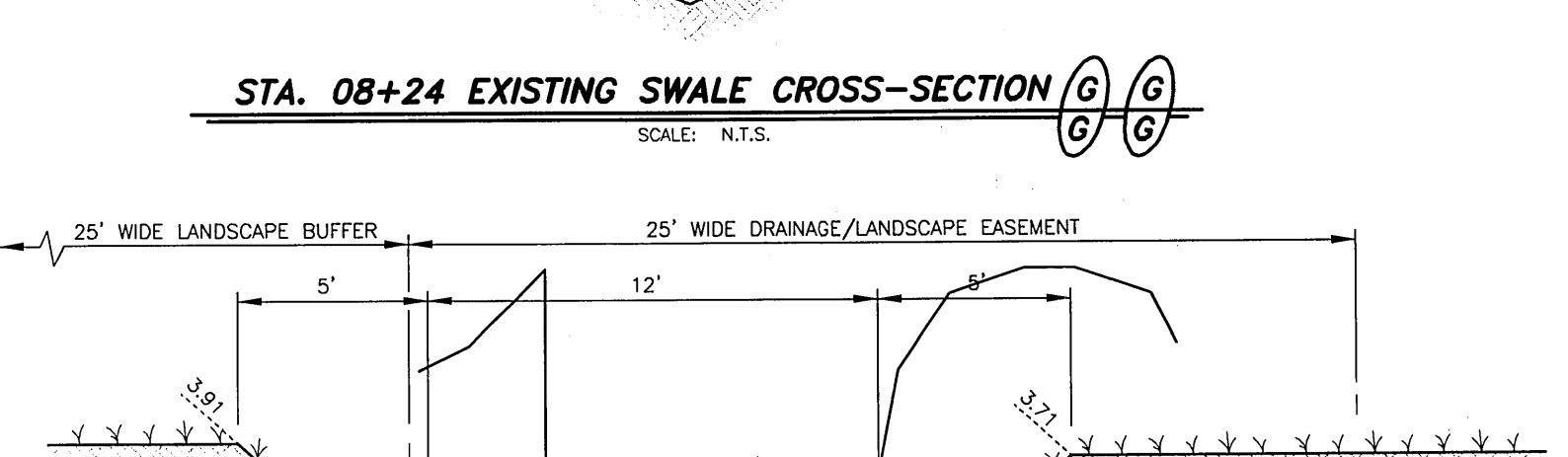
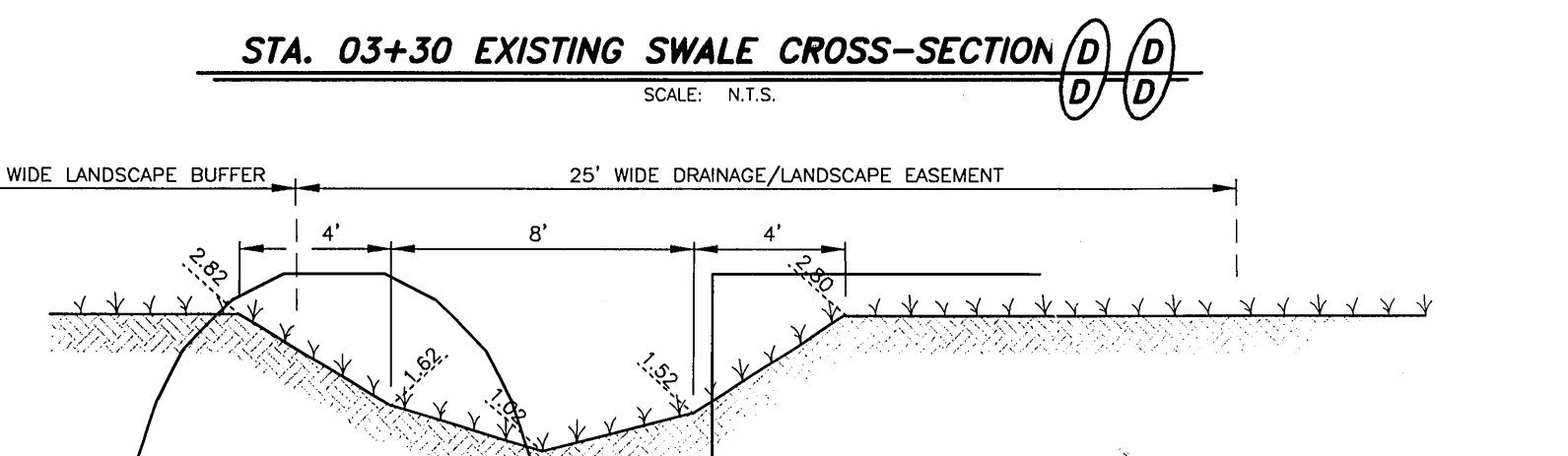
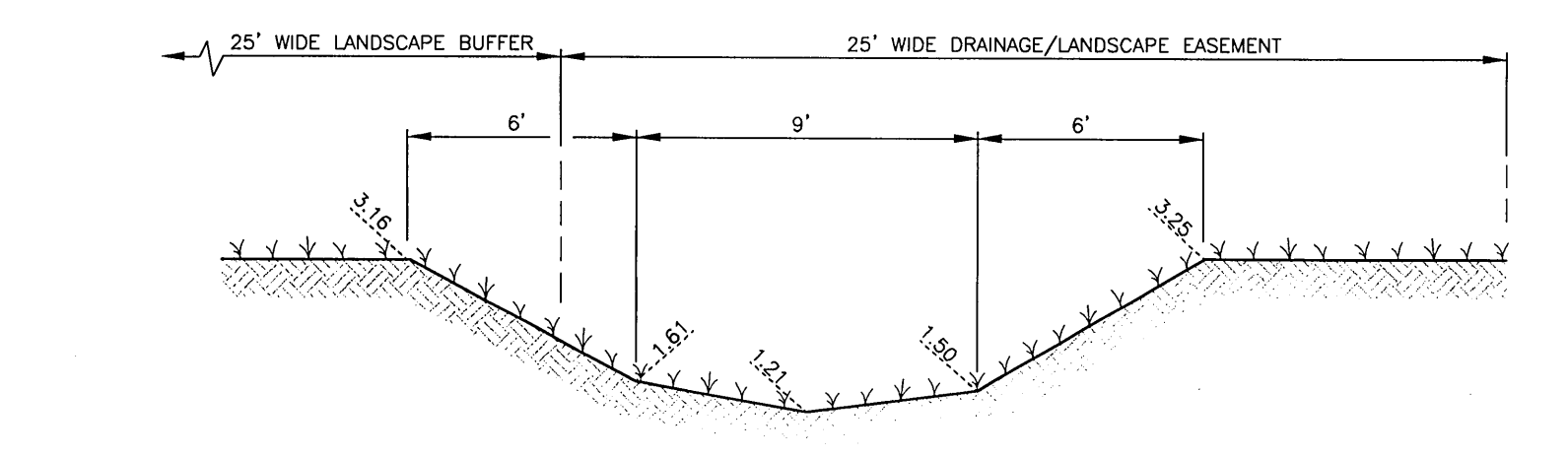
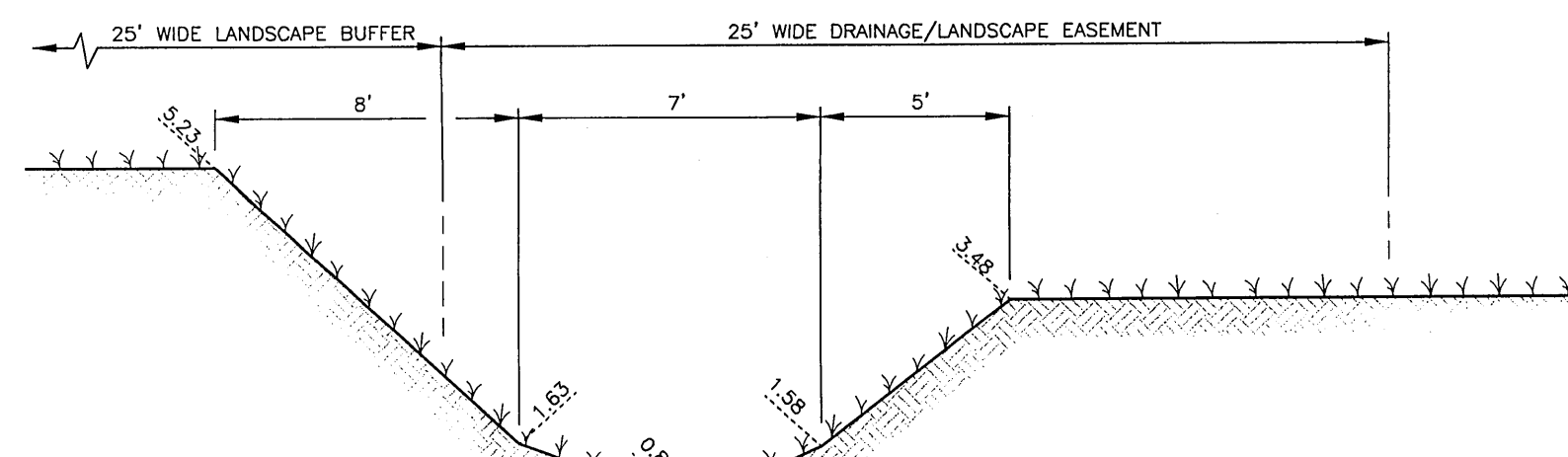
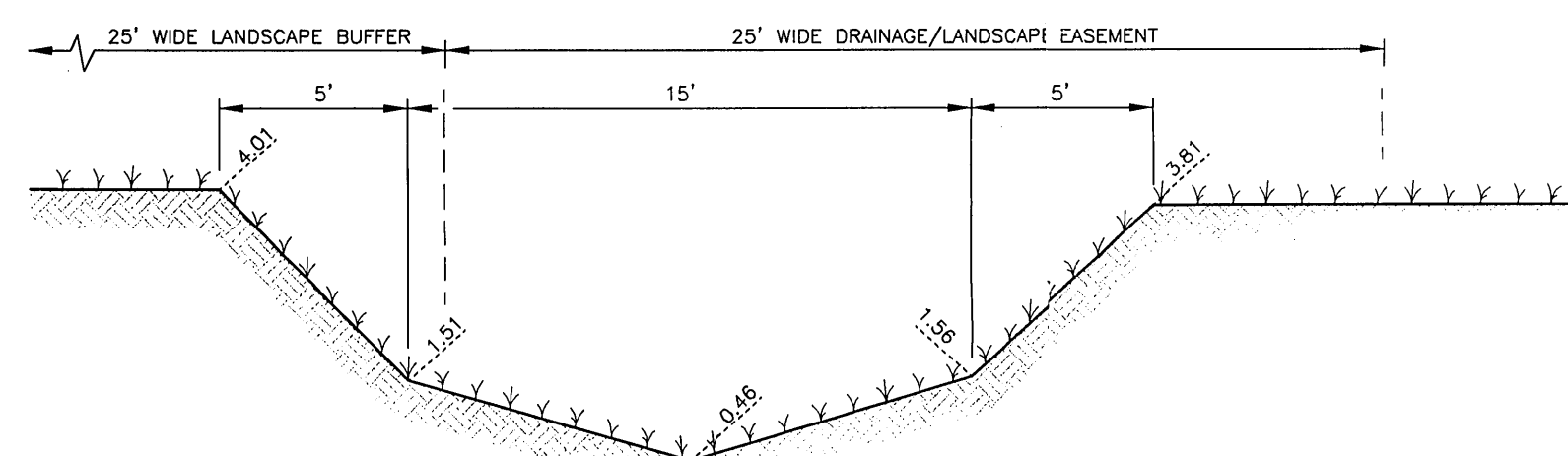
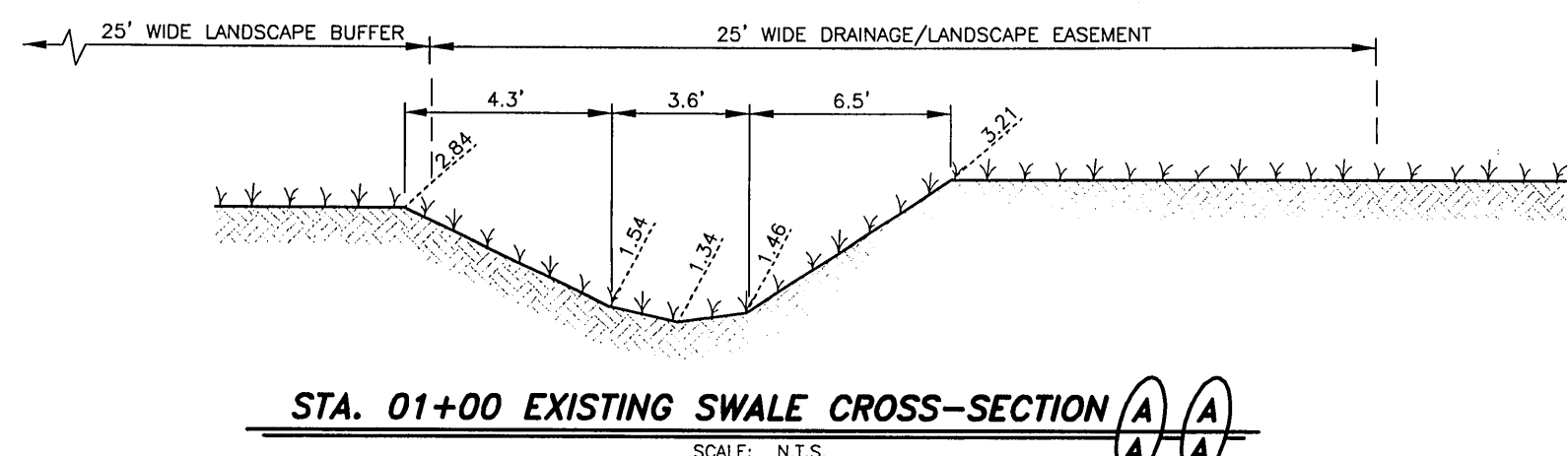


BNDY CURVE DATA

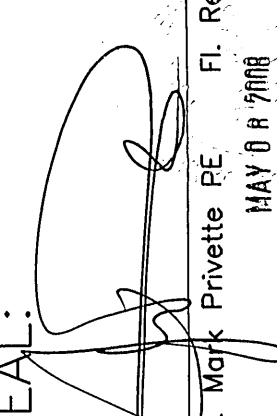
Curve Number	1 (C1)
Radius	25.0'
Delta	79°48'26"
Arc	34.84'
Tangent	89.77'
Chord	30.79'
Chord Brg.	5.40°38'0"W



CYRIX ENGINEERING, INC.
Engineers & Surveyors
1144 Tallevast Rd., #1111
Sarasota, Fla 34243

(941) 358-8812 (ph) * (941) 358-8909 (fax)

PROJECT NO.	XXXXX	DRAWN BY	DW
CHECKED BY	J.M.P.	DATE	12 APR 2004
REVISIONS		DATE	
		BY	

SEALED:  Date _____

J. Mark Privette PE Fl. Reg. # 43394
MAY 08 7/08

**COQUINA BEACH
SUBDIVISION**

**EAST DITCH
CROSS-SECTIONS**

**SHEET
16**