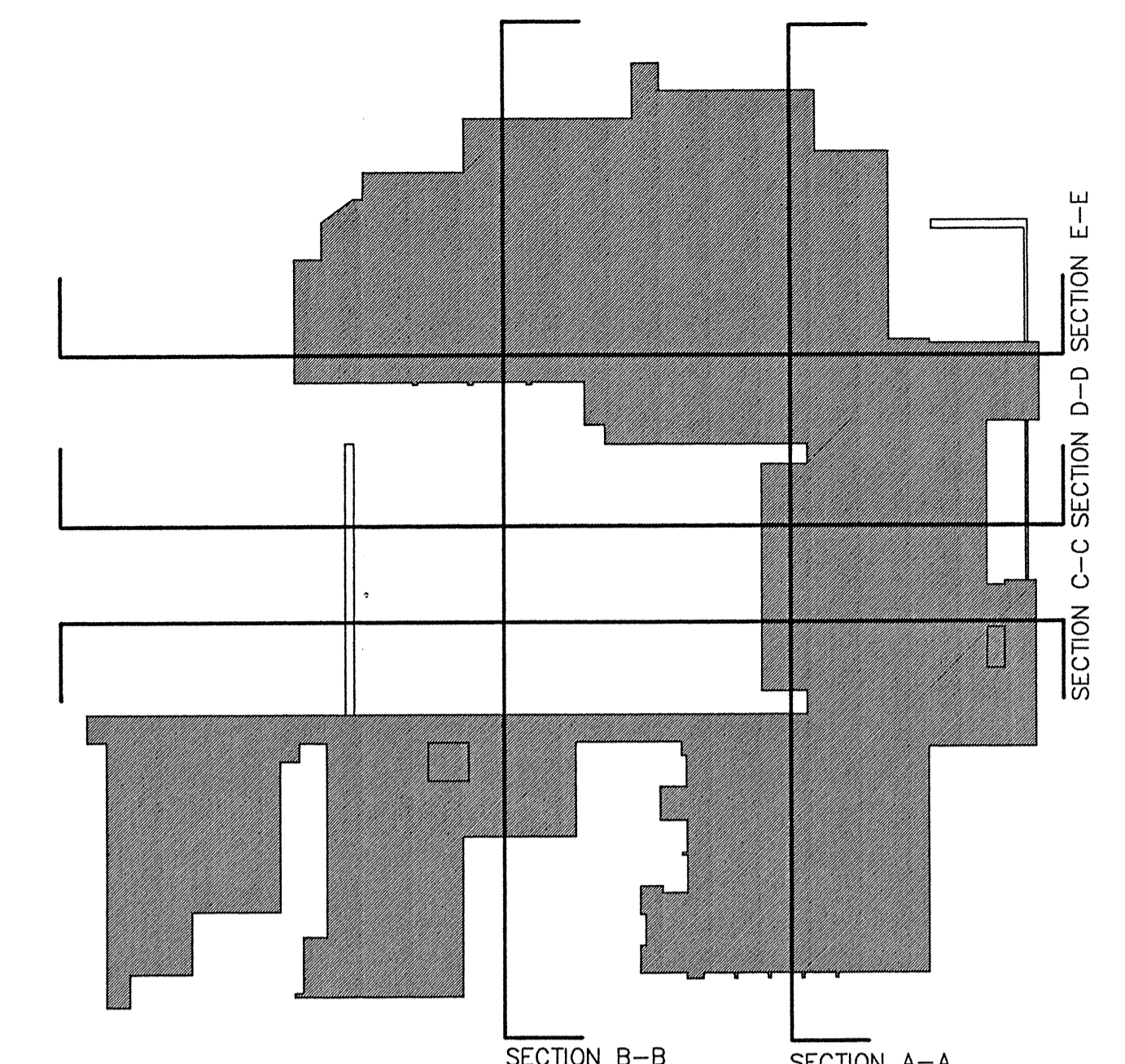
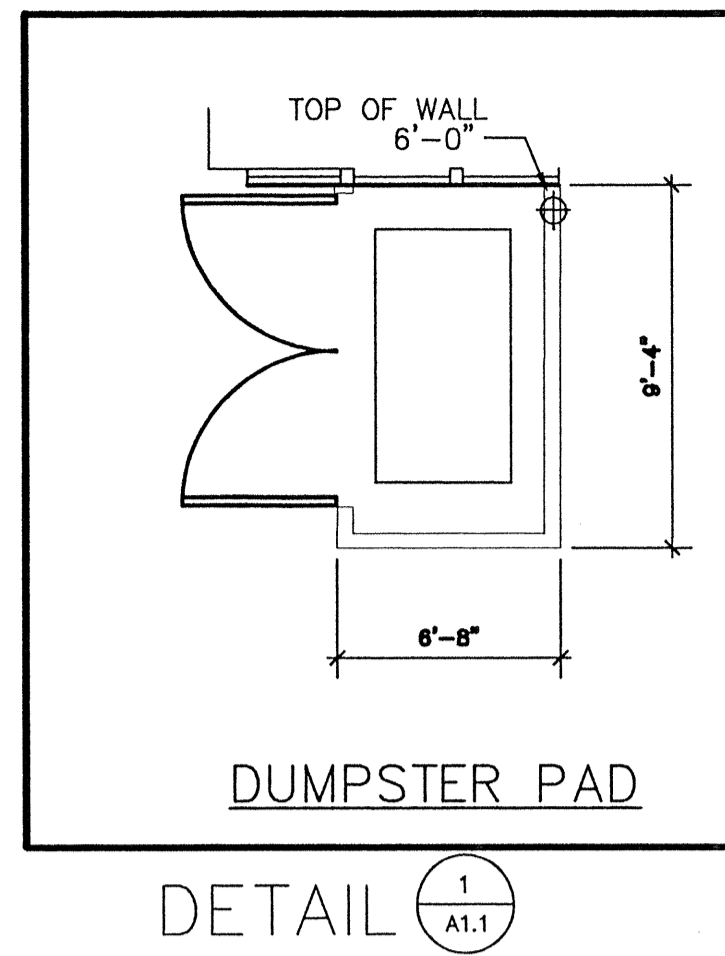
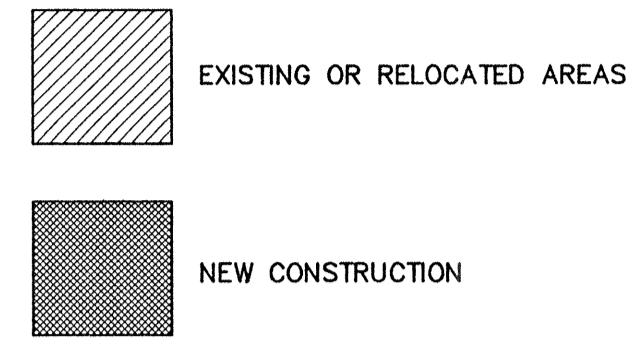
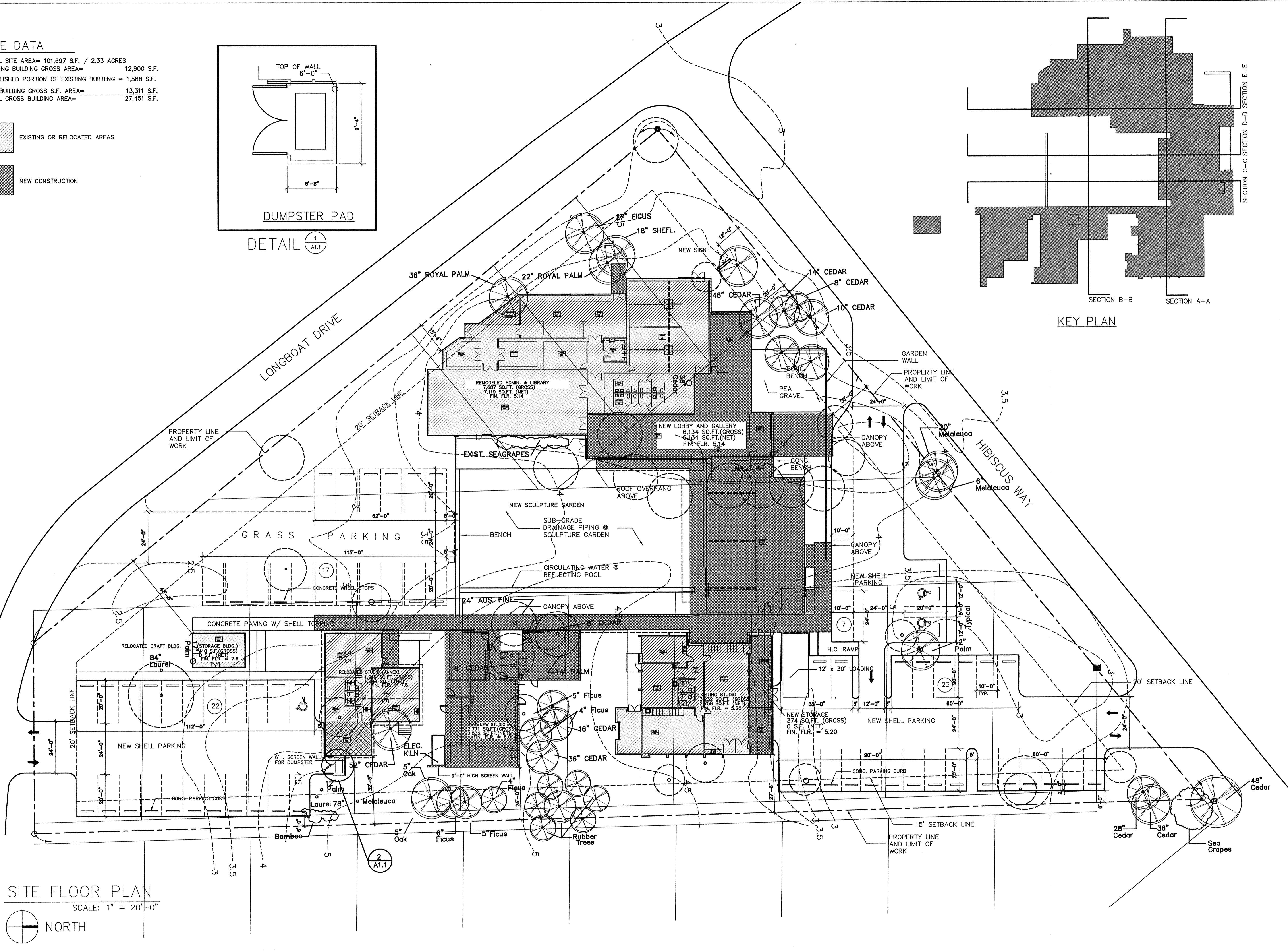


SITE DATA

TOTAL SITE AREA= 101,697 S.F. / 2.33 ACRES
 EXISTING BUILDING GROSS AREA= 12,900 S.F.
 DEMOLISHED PORTION OF EXISTING BUILDING = 1,588 S.F.
 NEW BUILDING GROSS S.F. AREA= 13,311 S.F.
 TOTAL GROSS BUILDING AREA= 27,451 S.F.



KEY PLAN



SITE FLOOR PLAN
 SCALE: 1" = 20'-0"



ARCHITECT OF RECORD:
MADDOX & ASSOCIATES
 ARCHITECTS

1266 FIRST STREET
 SUITE 9
 SARASOTA, FLORIDA 34236
 941/955-7358
 FAX 941/955-7360

CONSULTANTS:

DESIGN ARCHITECTS:
 THOMPSON AND ROSE ARCHITECTS INC

1430 MASSACHUSETTS AVENUE
 CAMBRIDGE, MA 02138
 TEL 617/876-9966
 FAX 617/876-9922

Thompson and Rose Architects Inc

THE LONGBOAT KEY CENTER FOR THE ARTS
 RENOVATIONS & ADDITIONS

SITE PLAN

LONGBOAT KEY FLORIDA

SEAL:

Will E. Maddox
 3/22/99

NO.	DATE	REVISION
1	3/22/99	

PROJECT NO.: 98002
 DATE: 03/05/99
 DRAWN BY: THOMPSON & ROSE
 CHECKED BY: GW
 DWG. FILE: A1.1
 SCALE: 1" = 30'
 SHEET TITLE:

SHEET NO.:

A1.1