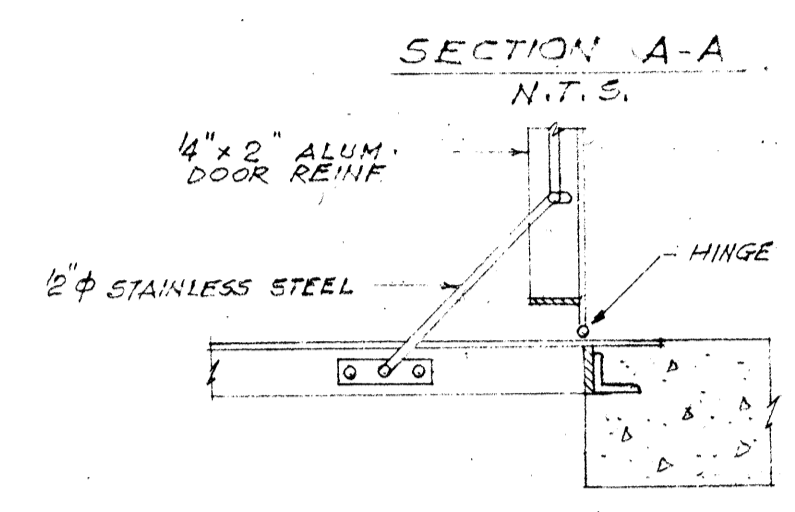
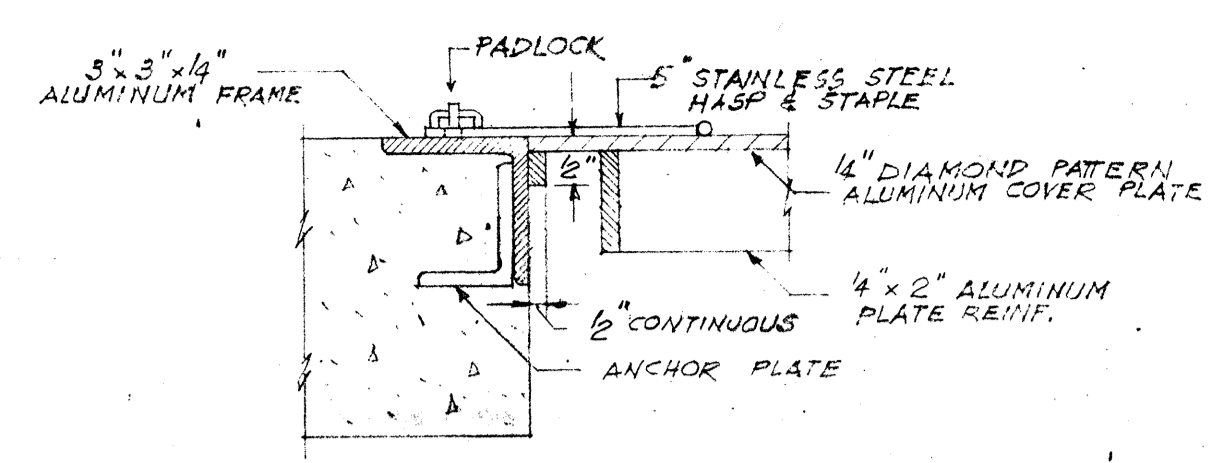
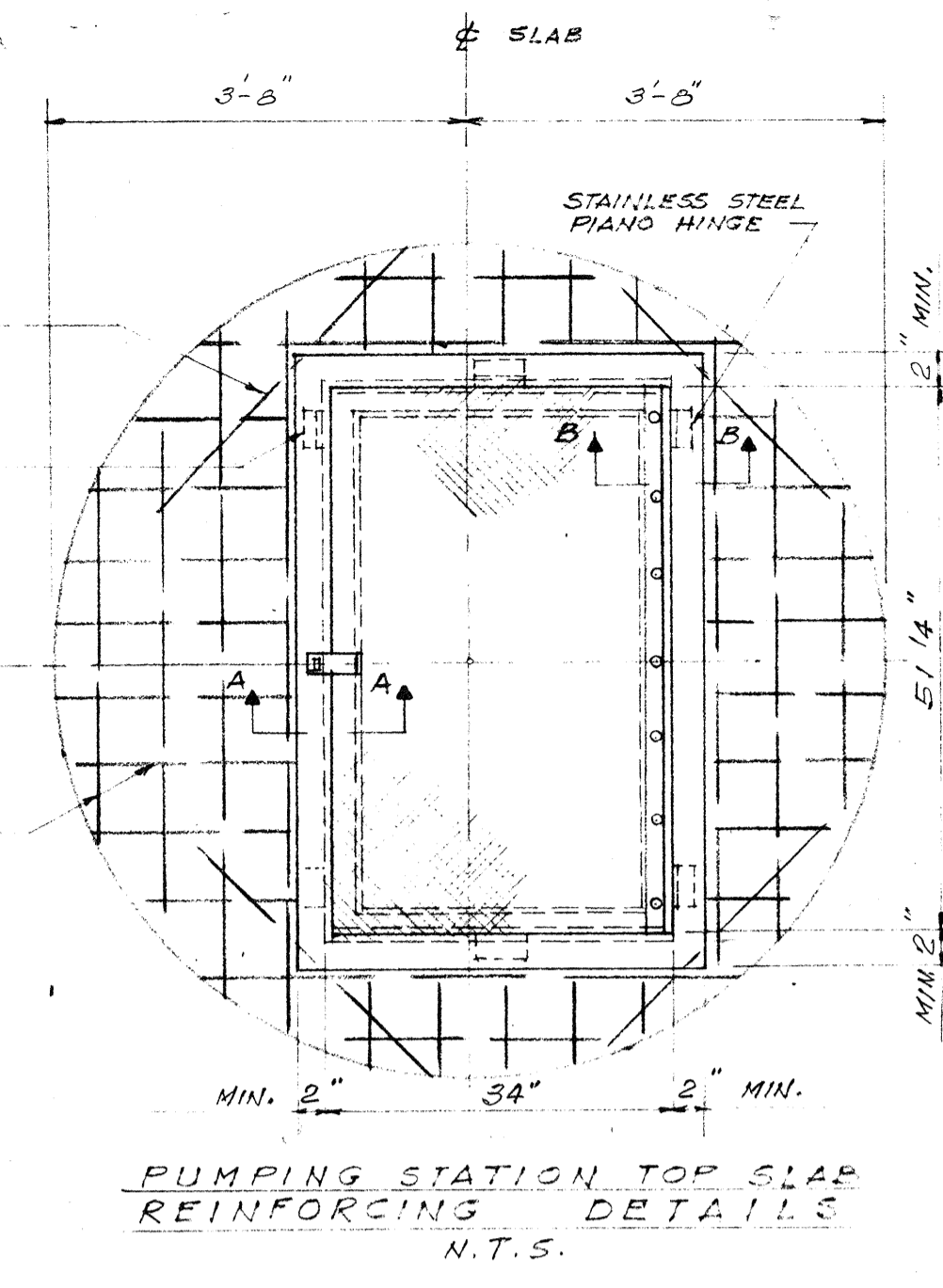
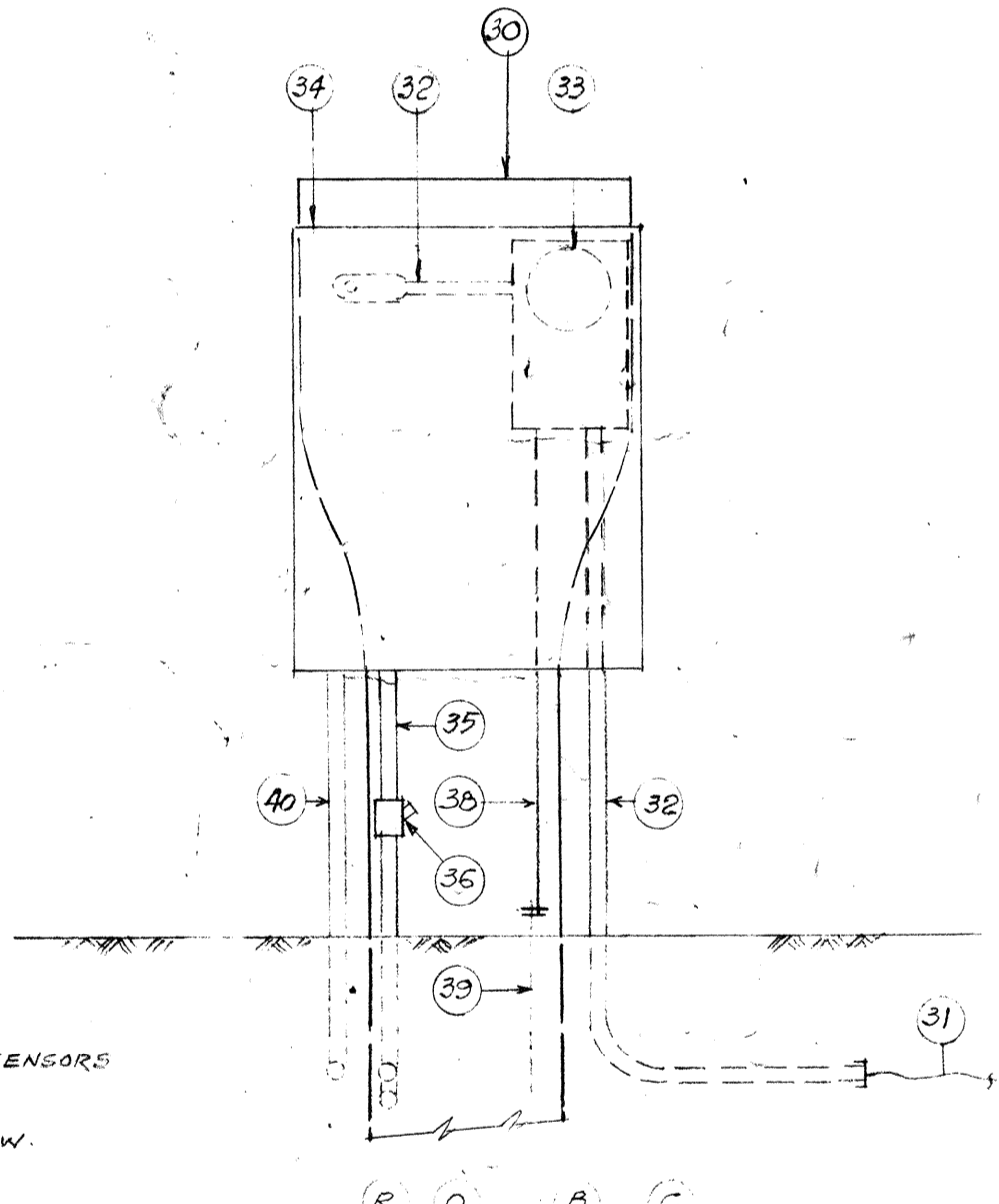
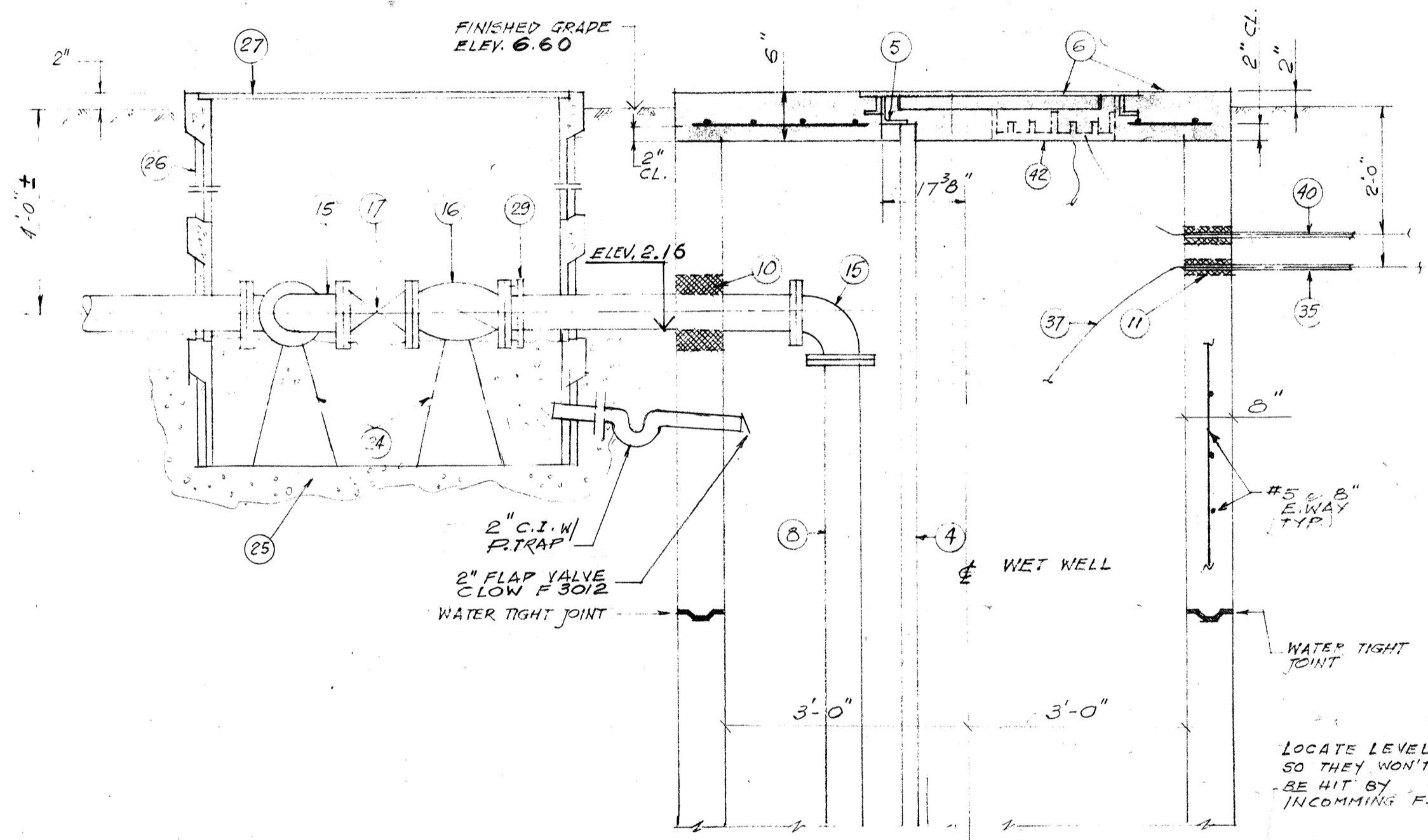
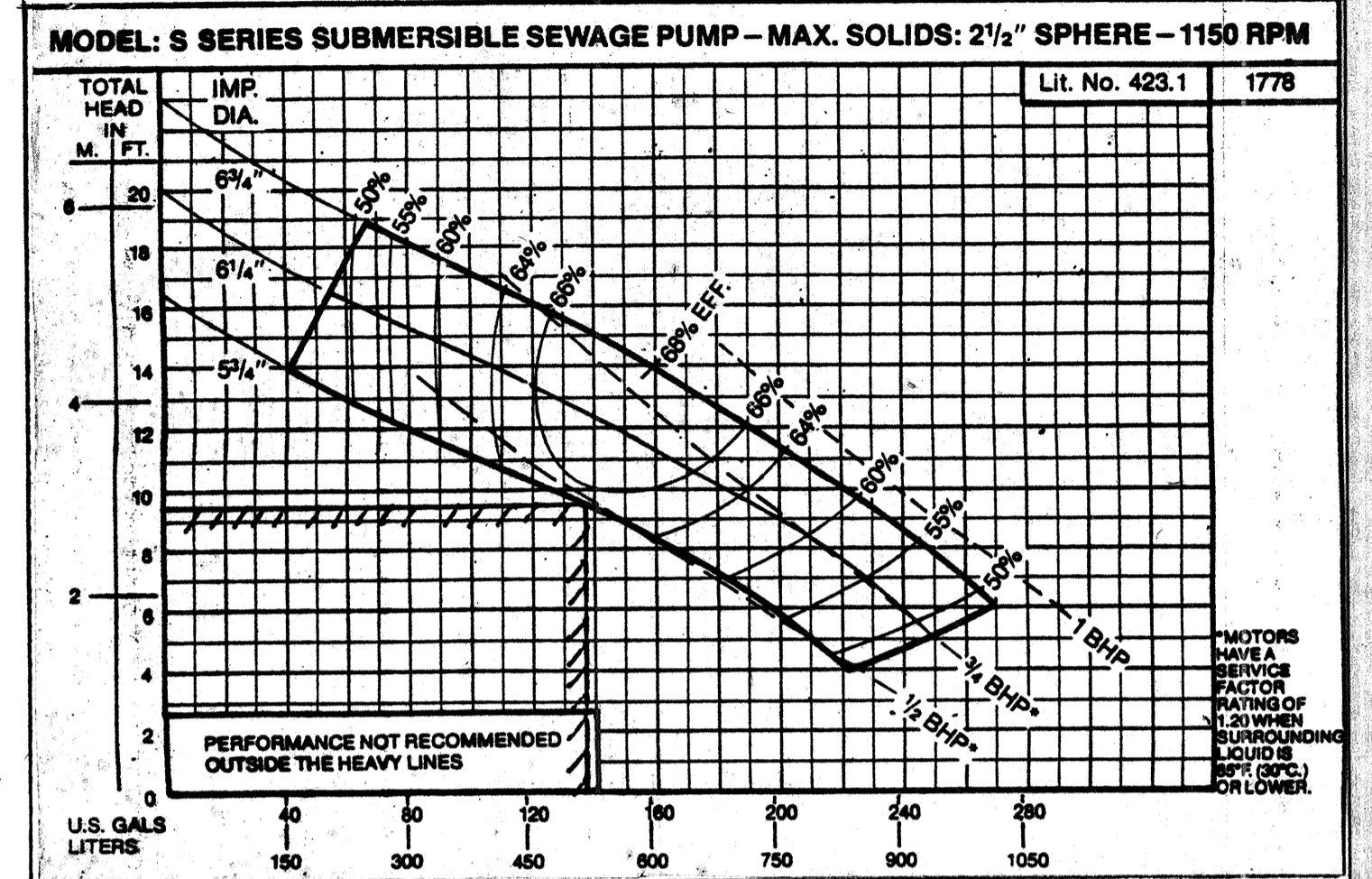


SET PUMP IN FIELD IN PROPER RELATION TO COVER, TO INSURE ACCURATE ALIGNMENT OF GUIDE RODS, ANCHOR PUMP DISCHARGE CONNECTION TO SUMP FLOOR WITH APPROPRIATE EXPANSION SHIELDS AND GALV. BOLTS.

ADDITIONAL #6 ON EACH CORNER (4-REQ'D)
ANCHOR PLATE (TYP)
1/2 SLAB AND OPENING
#6 @ 6" C.C. EA. WAY

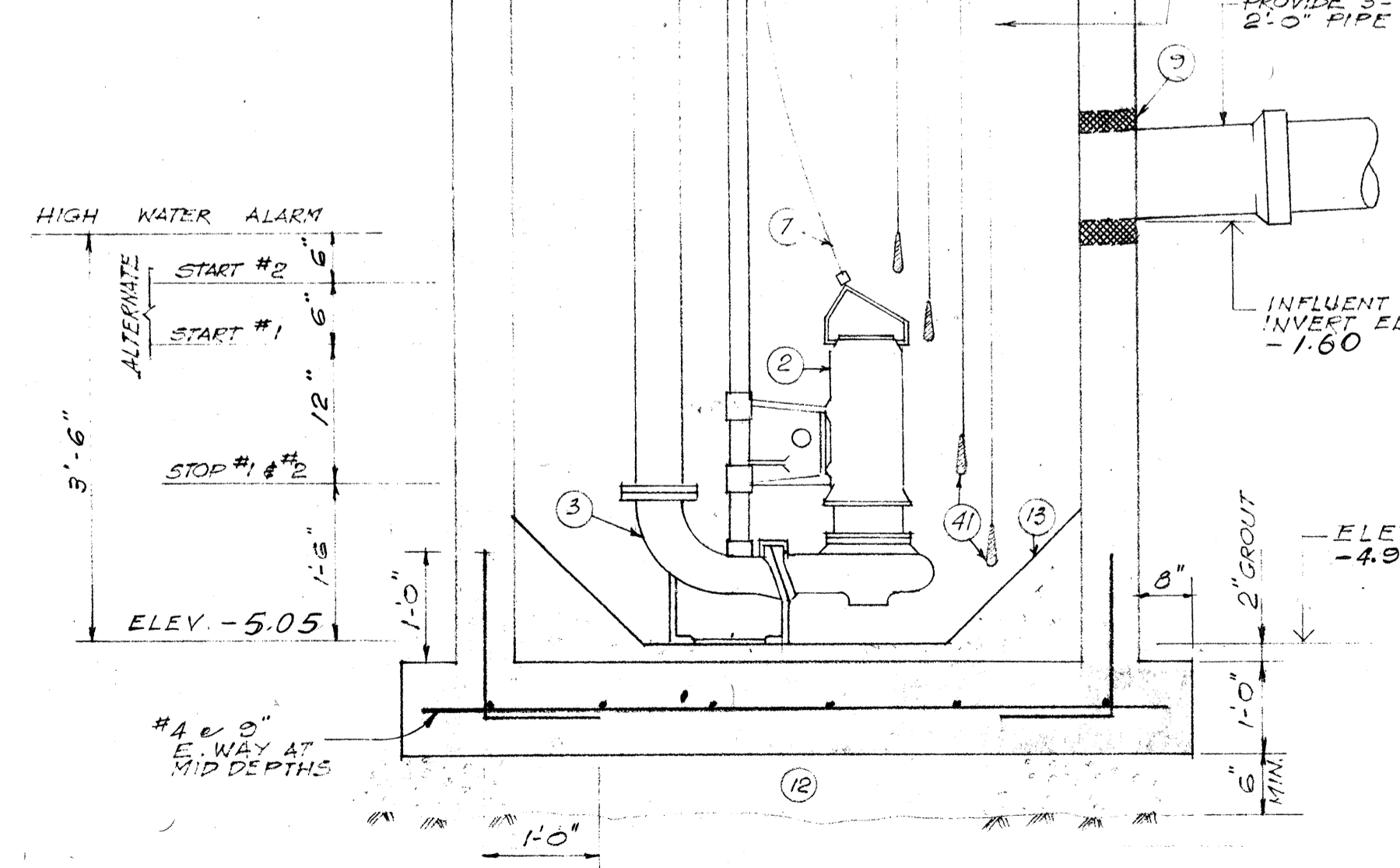
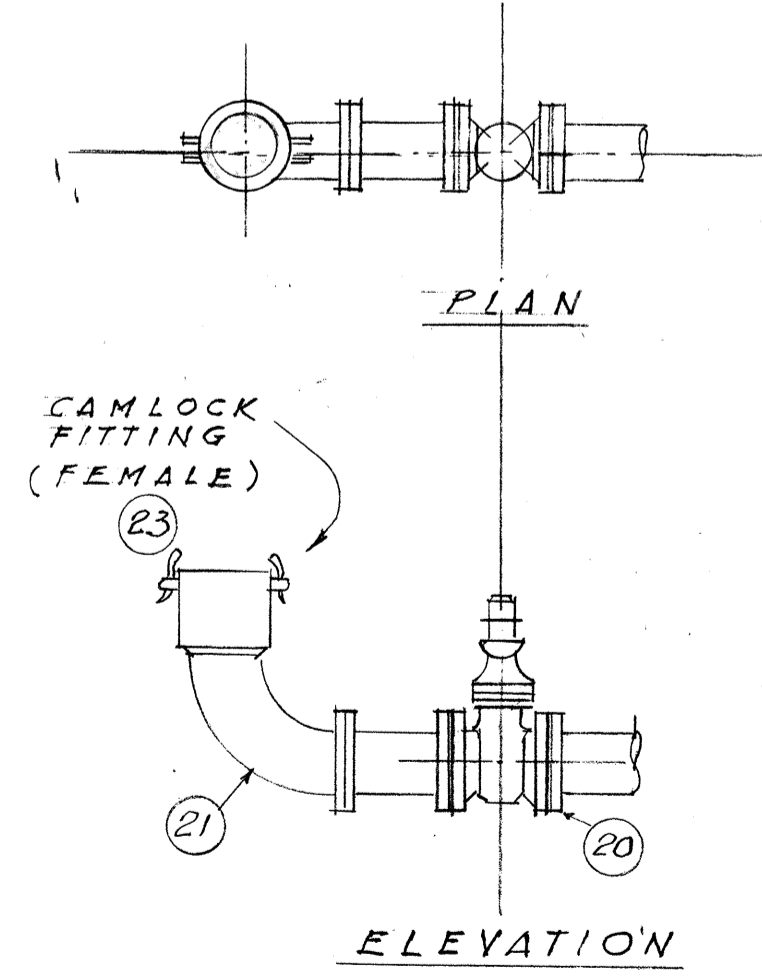


- NOTES:
1. ALUMINUM SURFACES SHALL BE COATED WITH TWO COATS OF APPROVED ASPHALT VARNISH.
 2. ALL COVERS AND DOORS TO BE WATER TIGHT.
 3. PROVIDE ONE-LINE DIAGRAMS FOR ELECTRICAL PANEL.
 4. PROVIDE CONTROL SCHEMATIC DIAGRAMS OF STATION.



- CONTROL PANEL COMPONENT LEGEND:
- A MOTOR BREAKER (SEE NOTE 3)
 - B MAIN CIRCUIT BREAKER (SEE NOTE 3)
 - C EMERGENCY CIRCUIT BREAKER W/ INTERLOCK (SEE NOTE 3)
 - D GENERATOR RECEPTACLE (30 AMP)
 - E MOTOR STARTER (SEE NOTE 3)
 - F ELAPSE TIME METER
 - G ALARM LIGHT (FLASHER TYPE 100 W)
 - H SELECTOR SWITCH (HAND-OFF AUTO)
 - I PILOT LIGHT (LIQUID LEVEL)
 - J PILOT LIGHT (POWER AVAILABLE)
 - K PUMP ALTERNATOR
 - L AIR VENT (SCREENED)
 - M LIGHTNING ARRESTER
 - N DUPLEX RECEPTACLE
 - O ALTERNATOR TEST SWITCH
 - P RELAYS
 - Q PHASE MONITOR
 - R CONTROL TRANSFORMER
 - S CONTROL CIRCUIT BREAKER
 - T REGULATOR TERMINAL STRIP
 - U ALLIUM SILENCE BUTTON
 - V ALARM BELL (4" DIA)
 - W FUSE & OVERLOAD HEATER
- PANEL LOCATION & ELEV. TO BE DESIGNATED BY TOWN OF LONGBOAT KEY

- NOTES:
1. RECEIVING MANHOLE 6'-0" INSIDE DIA. PRECAST CONCRETE (STEO P&I) STRUCTURE WITH INTEGRALLY CAST CONCRETE BASE SLAB, REINFORCEMENT OF BASE SLAB WELDED OR CONTINUOUS WITH WALL REINFORCEMENT, MINIMUM WALL THICKNESS TO BE 8".
 2. OPERATING CONDITIONS: EACH PUMP SHALL HAVE A CAPACITY OF 135 GPM AT A TOTAL HEAD OF 3.3 FEET WHEN OPERATING AT 1150 RPM. PUMP MOTOR SHALL BE 1/2 HP, 1150 RPM, 3 PHASE, 230 VOLTS, IMPELLER DIAMETER SHALL BE 2 1/2" INCHES (S 50 M3-C).
 3. HYDRAULIC SEALING FLANGE.
 4. GUIDE BARS 2" DIA. SCHEDULE 40 TYPE 304 WELDED STAINLESS STEEL PIPE (4-REQ'D)
 5. UPPER GUIDE HOLDERS STAINLESS STEEL (2-REQ'D)
 6. PRECAST REIN. CONCRETE TOP SLAB W/ ALUMINUM ACCESS COVER W/ STAINLESS STEEL HARDWARE.
 7. STAINLESS STEEL CABLE FROM PUMP TO HOOK W/ 4-CLAMPS
 8. 4" DISCHARGE PIPE, C.I., CLASS 125, FLANGED.
 9. PREFORMED HOLE TO BE 2" LARGER THAN O.D. OF PIPE PASSING THROUGH ANNULUS TO BE CAULKED WATER TIGHT.
 10. PREFORMED HOLES, 10" DIA. FOR INSTALLATION OF DISCHARGE PIPE (2-REQ'D), ANNULUS TO BE CAULKED.
 11. OPENINGS FOR ELECTRICAL CONDUIT AND AIR RELIEF PIPE DIA. TO BE 1" LARGER THAN O.D. OF CONDUIT OR PIPE. CAULK ANNULUS.
 12. SET MANHOLE ON MIN. 6" DRAINFIELD LIMEROCK BED.
 13. CONCRETE FILLET.
 14. 4" CLASS 125, CAST IRON PIPE, FIG. X.P.E.
 15. 4" 90° CAST IRON LONG RADIUS ELBOW, FLANGED.
 16. WEIGHT AND LEVEL CHECK VALVE, FLANGED.
 17. DEZURIK SEMI-STEEL BRONZE MOUNTED RESILIENT FACED PLUG, NON-LUBRICATED, ECCENTRIC PLUG VALVE, FLANGED.
 18. 4" CAST IRON CROSS, FLANGED.
 19. 4" FLANGED SPOOL PIECE W/ 2" TAP
 20. 4" DEZURIK SEMI-STEEL BRONZE MOUNTED RESILIENT FACED PLUG, NON-LUBRICATED, ECCENTRIC PLUG VALVE, FLANGED JOINT.
 21. 4" PVC 90° ELBOW
 22. 4" CAMLOCK FITTING (FEMALE)
 23. SET CHECK VALVES AND TEES ON CONCRETE PEDESTAL SUPPORTS.
 24. 6" DRAINFIELD LIMEROCK BEDDING.
 25. PRECAST CONCRETE VAULT WITH 12" DEEP SIDE PANELS AS MANUFACTURED BY BROOKS PRODUCTS, CATALOG NO. 744 OR CAST IN PLACE CONCRETE. (AT CONTRACTOR'S OPTION)
 26. ALUMINUM CHECKERED PLATE (1/4") COVER, IN TWO PIECES W/ STAINLESS STEEL HARDWARE.
 27. 4" C.I. FLANGE ADAPTER ROCKWELL RESTRAINED W/ ANCHOR STUPTS.
 28. APPROVED CONCRETE POLE 8'-0" LONG 4'-0" BURIED WITH STAINLESS STEEL BOLTS.
 29. ISOLATE DISSIMILAR METALS WITH RUBBER.
 30. 120/240 VOLTS 60 CYCLE 3 PHASE 4 WIRE UNDERGROUND POWER SUPPLY, CONTRACTOR EXTEND TO SERVICE POINT, CIRCUIT FOR CONNECTION BY POWER CO.
 31. 4-NO. 6 IN 2" PVC CONDUIT
 32. SERVICE METER, FURNISHED BY POWER CO. AND INSTALLED BY CONTRACTOR.
 33. STA - CON. PUMP CONTROL PANEL (COMPONENT LEGEND AND DETAIL THIS SHEET)
 34. 2" RIGID CARRIER PVC CONDUIT FOR MOTOR CABLE CONDUCTORS.
 35. "EYS" SEAL FITTING (2 REQ'D)
 36. PUMPS LEADS FURNISHED BY MANUFACTURER TO RUN CONTINUOUSLY TO CONTROL PANEL (APPROX. 35' EA. LEAD)
 37. 1-NO. 6 IN 2" PVC CONDUIT, GROUND.
 38. 2" DIA. x 8'-0" GALV. STEEL GROUND ROD.
 39. 2" CARRIER PVC CONDUIT FOR LEVEL SENSORS CABLE.
 40. LIQUID LEVEL SENSOR FLYGT ENH-10 OR EQUAL (4-REQ'D)
 41. LIQUID LEVEL SENSOR CABLE HOLDER (STAINLESS STEEL AND NOT LESS THAN 6X (6) PRONGS)
 42. LIQUID LEVEL SENSOR CABLE HOLDER (STAINLESS STEEL AND NOT LESS THAN 6X (6) PRONGS)



- NOTES:
1. CONTROL CABINET NEMA-3R STAINLESS STEEL GASKETED DOOR, PADLOCK HASP, INTERNAL 'DEAD FRONT' SAFETY DOOR.
 2. ITEMS SHOWN DOTTED ARE MOUNTED ON REAR SUB-PANEL BEHIND 'DEAD FRONT' SAFETY DOOR.
 3. BREAKERS ARE SQUARE 'D' MOTOR, STARTERS ARE ALLEN-BRADLEY.

- NOTE:
- ALL NUTS, BOLTS AND ASSC. HARDWARE TO BE STAINLESS STEEL.
 - PROVIDE OPERATION & MAINTENANCE MANUAL FOR ALL EQUIPMENT.

LIFT STATION NO. 10 D SCALE AS NOTED