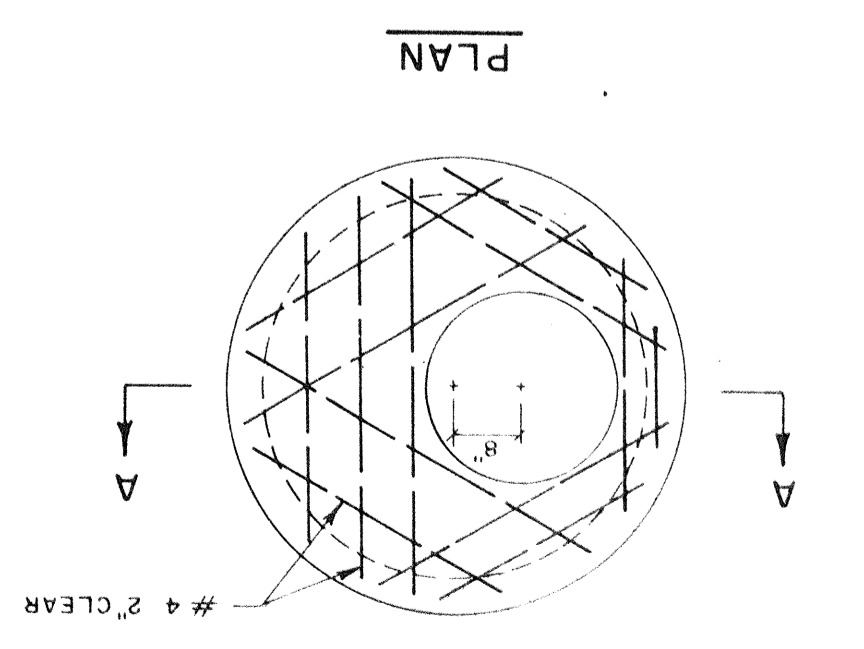
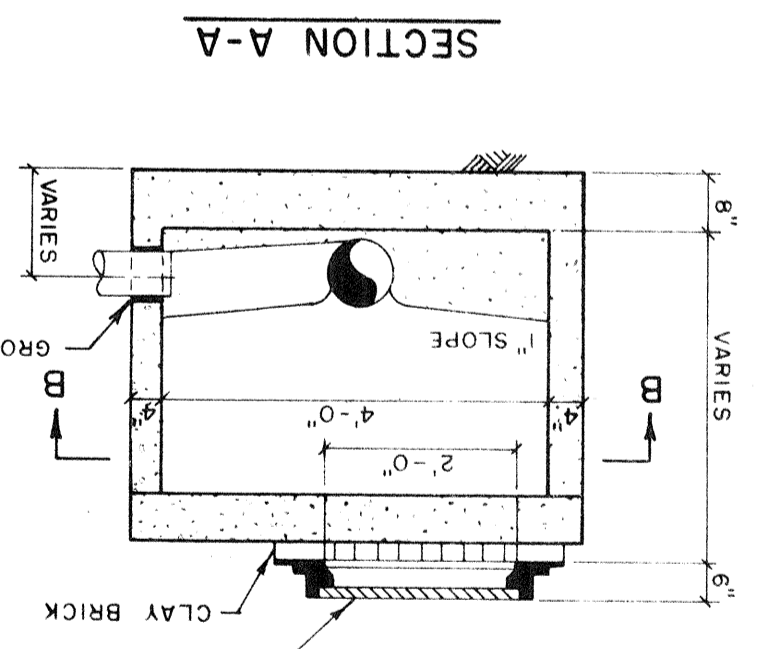
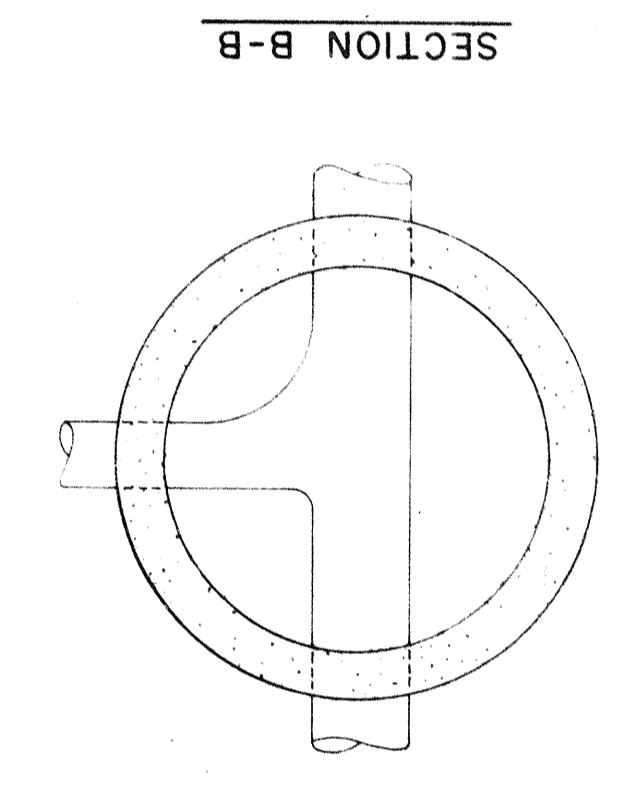
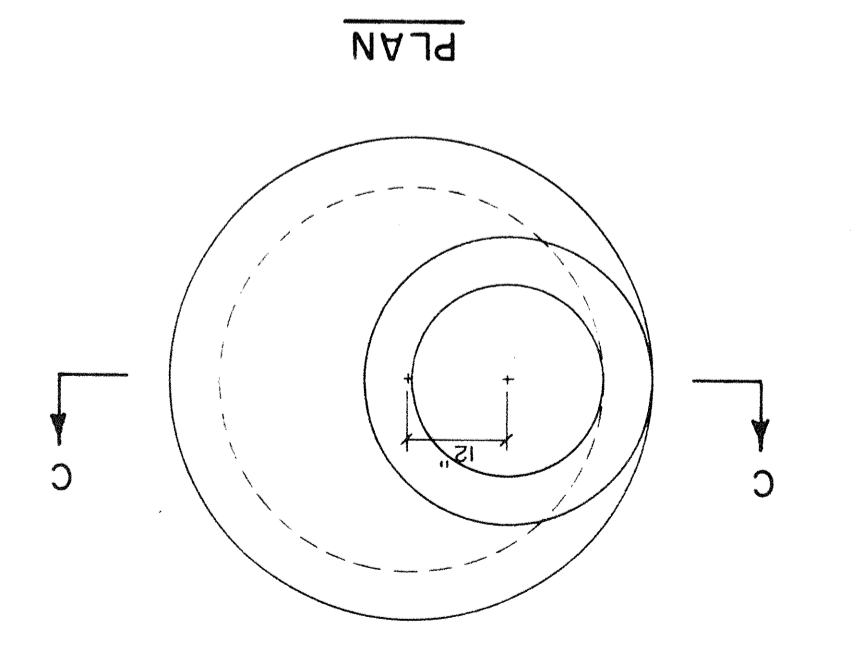
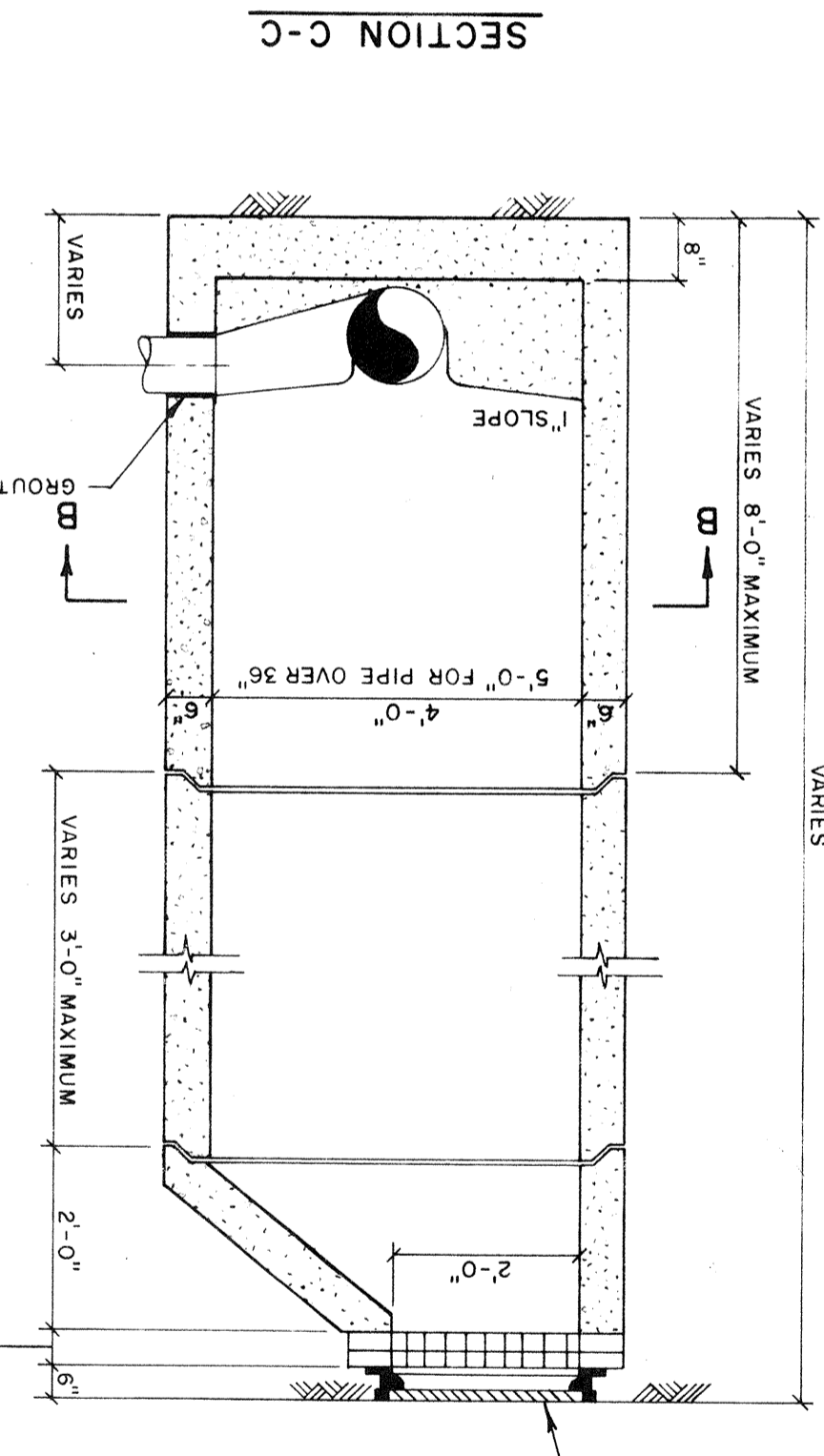


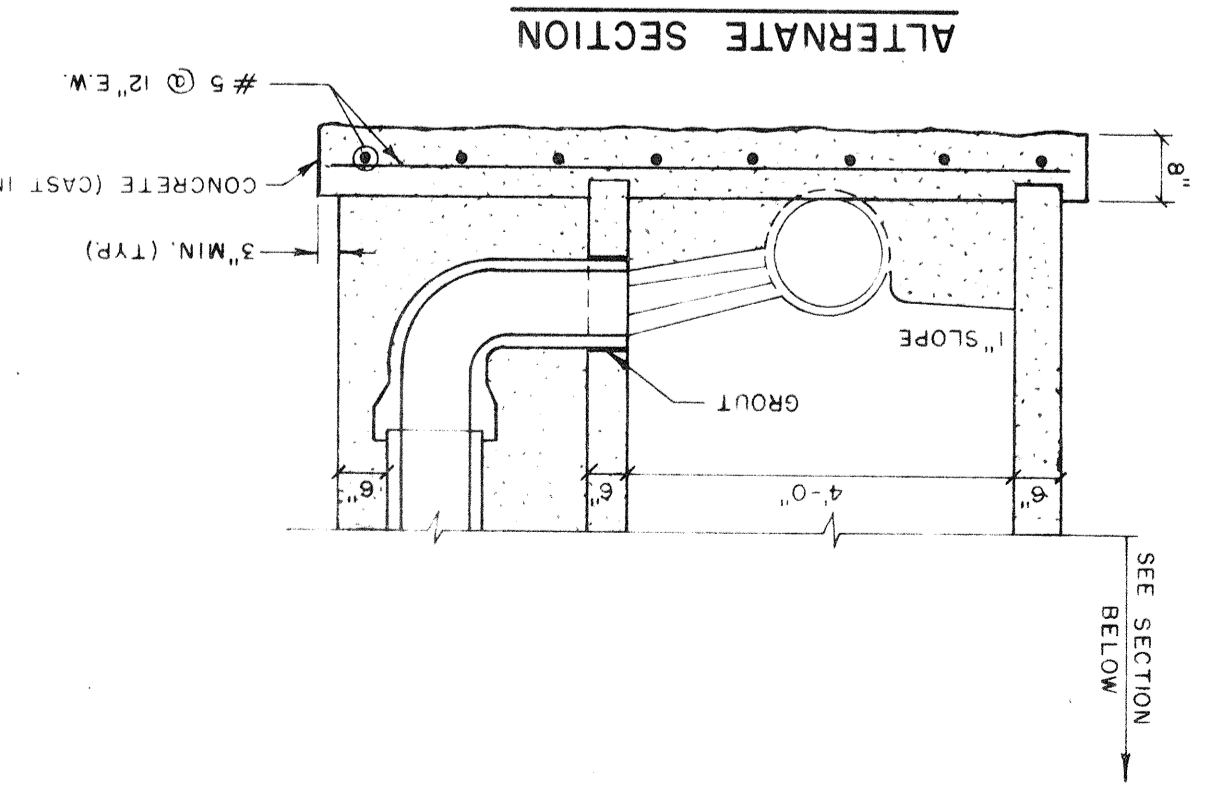
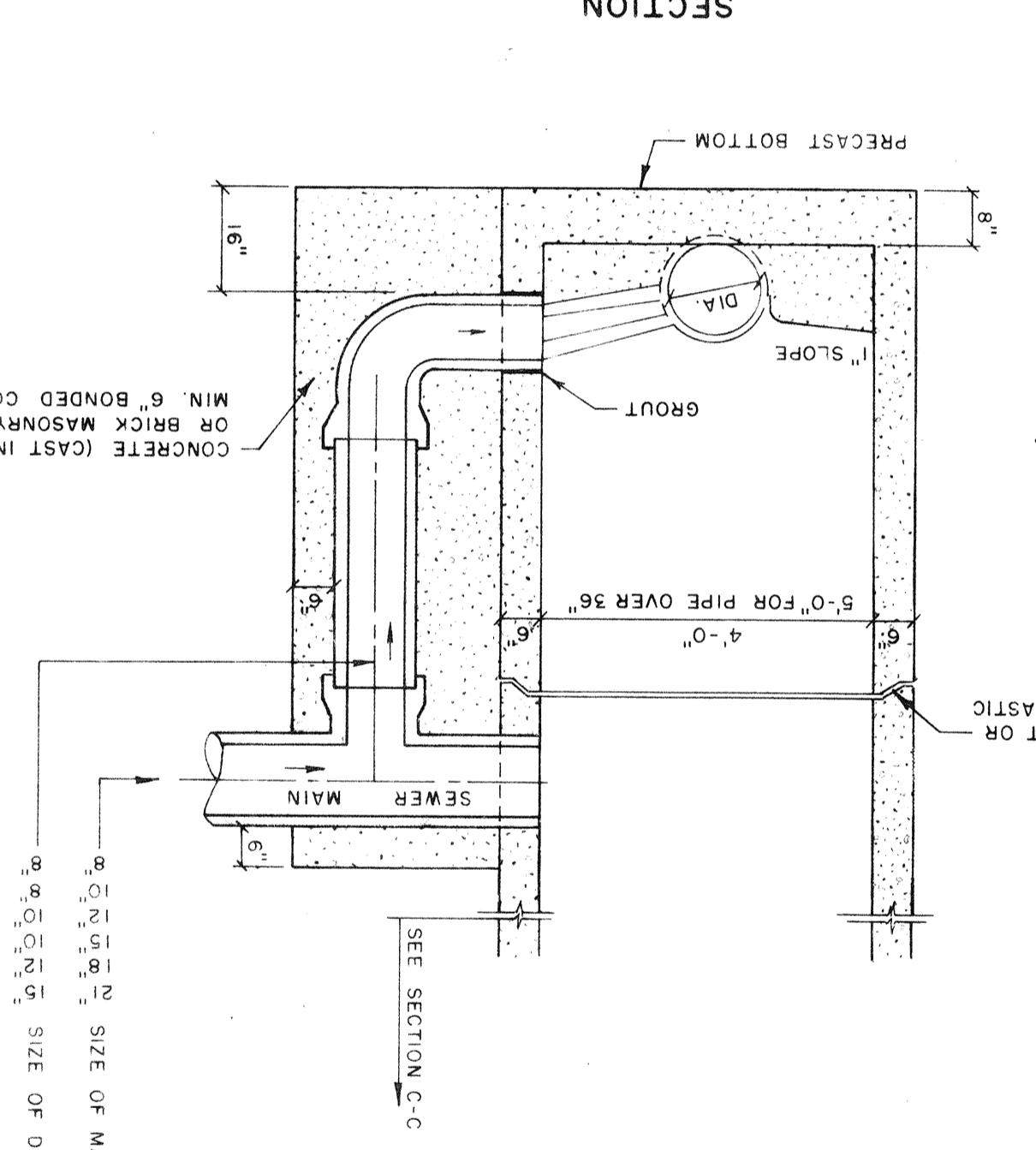
FOR DEPTHS 5'-0" & LESS
SCALE: 1/2" = 1'-0"



FOR DEPTHS OVER 5'-0"
SCALE: 1/2" = 1'-0"

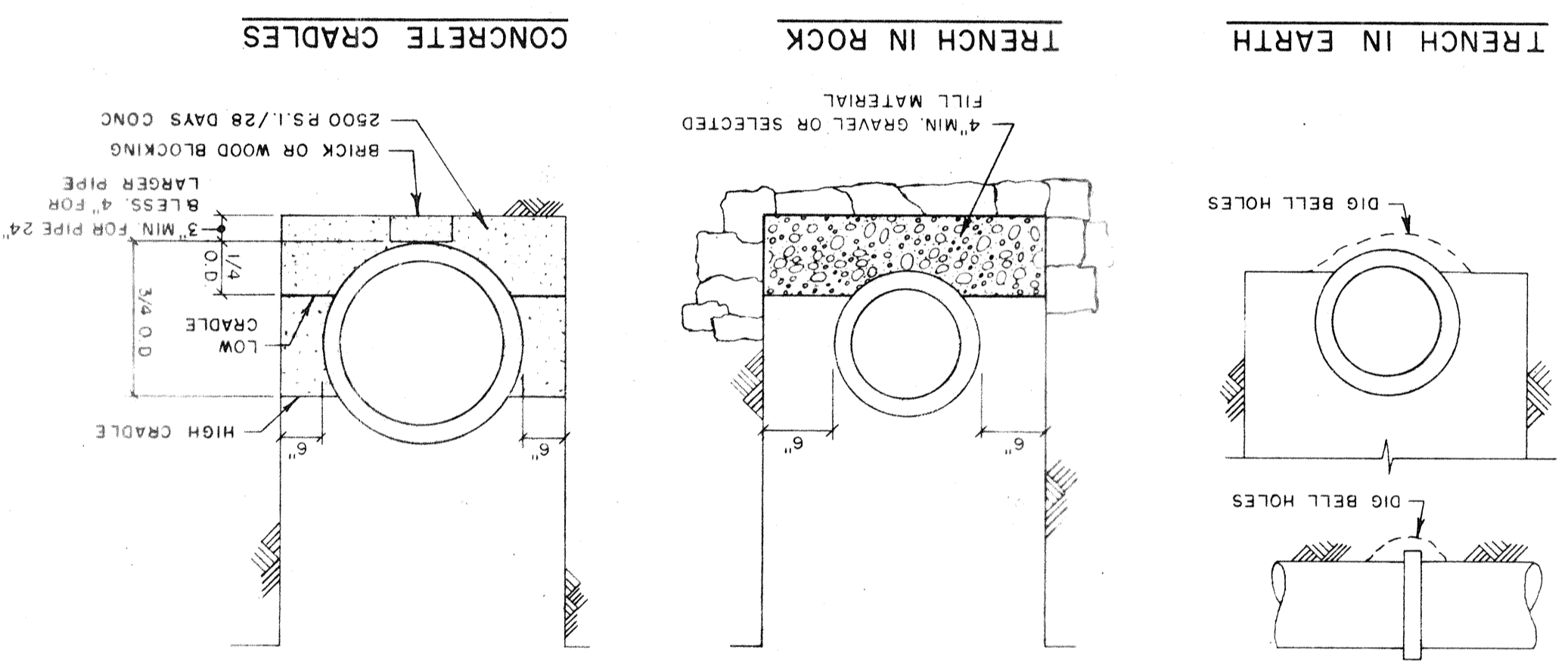


DROP MANHOLE
SCALE: 1/2" = 1'-0"

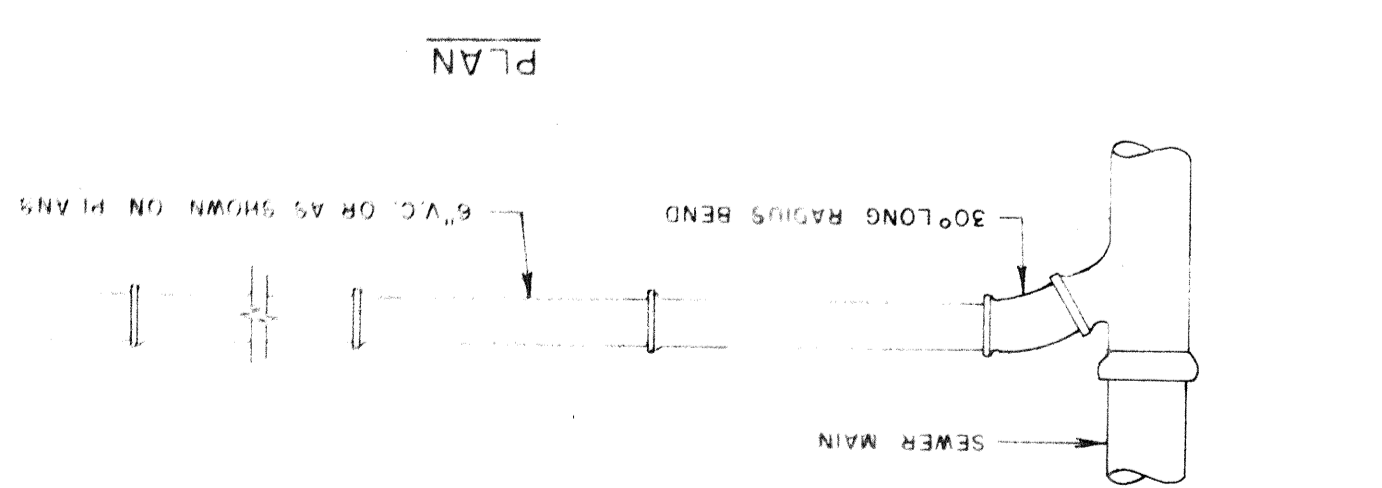
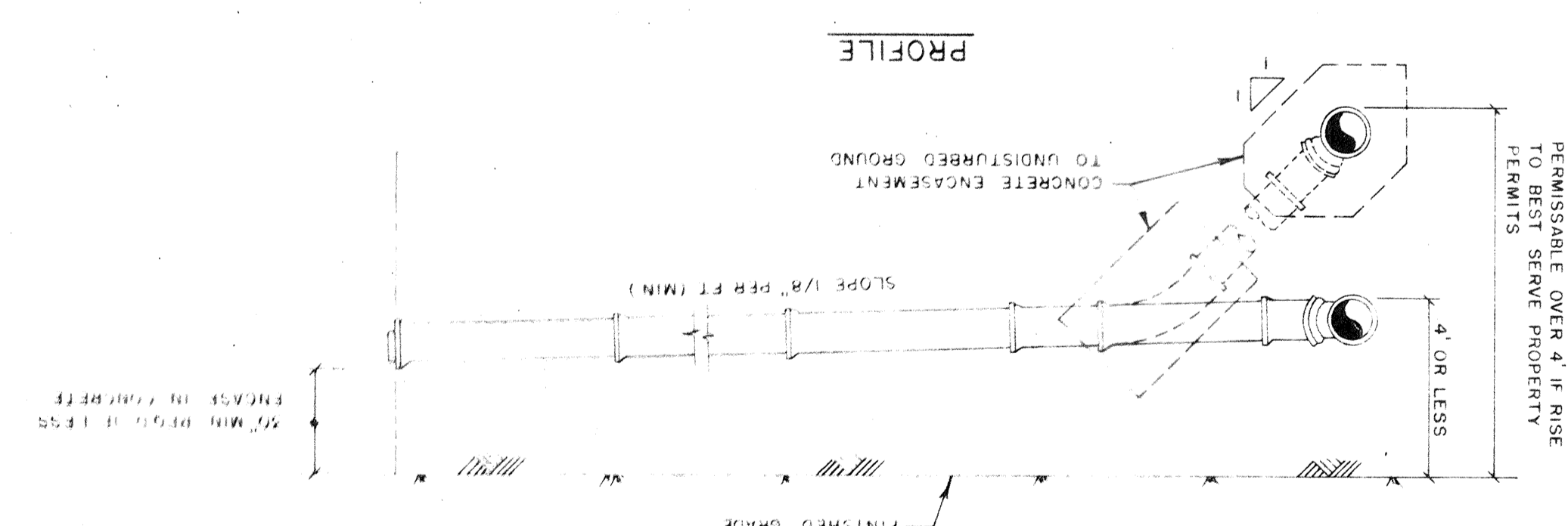


- MANHOLE SPECIFICATIONS:
1. MANHOLES SHALL COMPLY WITH SPECIFICATION C-478, LATEST REVISION, "PRECAST REINFORCED CONCRETE MANHOLE SECTIONS."
 2. CONCRETE SHALL BE 4,000 P.S.I./28 DAY MINIMUM STRENGTH, WITH TYPE X CEMENT.
 3. HEAVY DUTY MANHOLE RING AND COVER SHALL BE TYPE B (DWG. NO. 240, 011 H.O. 24) WITH FRAME & BOLTED COVER (333LB) WITH 4 S.S. BOLTS, NEOPRENE GASKET & BLIND PICKHOLE AS MANUFACTURED BY U.S. FOUNDRY CORP., MIAMI, FLORIDA, OR APPROVED EQUAL.
 4. REINFORCING PER A.S.T.M. SPEC. C-478, LATEST REV.
 5. LEVELING BRICKS TO BE CLAY; MORTAR TO BE 2 PARTS CLEAN SAND AND 1 PART CEMENT WITH NO MORE THAN 1/4 PART HYDRATED LIME, WITH JOINTS FULL & STRUCK FLUSH.
 6. NO STEPS SHALL BE USED.
 7. COMPLETELY FILL SPACE BETWEEN PIPES AND MANHOLE WALL WITH CEMENT MORTAR AFTER PIPE IS SET WITH 15LB. EMBECO PER 100LB. CEMENT.
- GENERAL NOTES:
1. WHERE WATER & WASTEWATER MAINS CROSS WITH LESS THAN 18" VERTICAL CLEARANCE, THE WASTEWATER PIPE SHALL BE OF EITHER CAST IRON OR CONCRETE VITRIFIED CLAY, (20 MIN.) CENTERED ON THE POINT OF CROSSING.
 2. PARALLEL WATER & WASTEWATER MAINS SHALL MAINTAIN A HORIZONTAL SEPARATION OF AT LEAST 10" WHERE PRACTICAL.

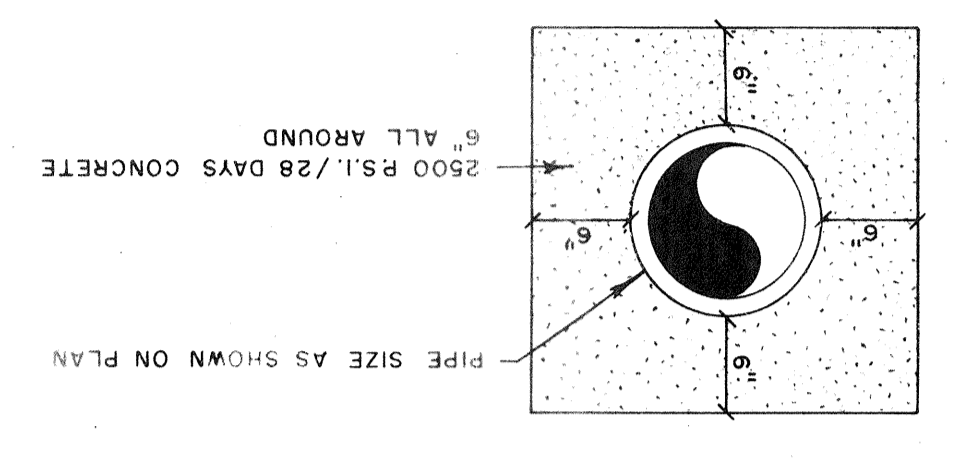
TYPICAL EXCAVATION & PIPE SETTINGS
NO SCALE



TYPICAL SERVICE CONNECTION
NO SCALE



CONCRETE ENCASUREMENT
NO SCALE



ADDCORP, INC.
THE BEACHES

BENNETT & SISCO