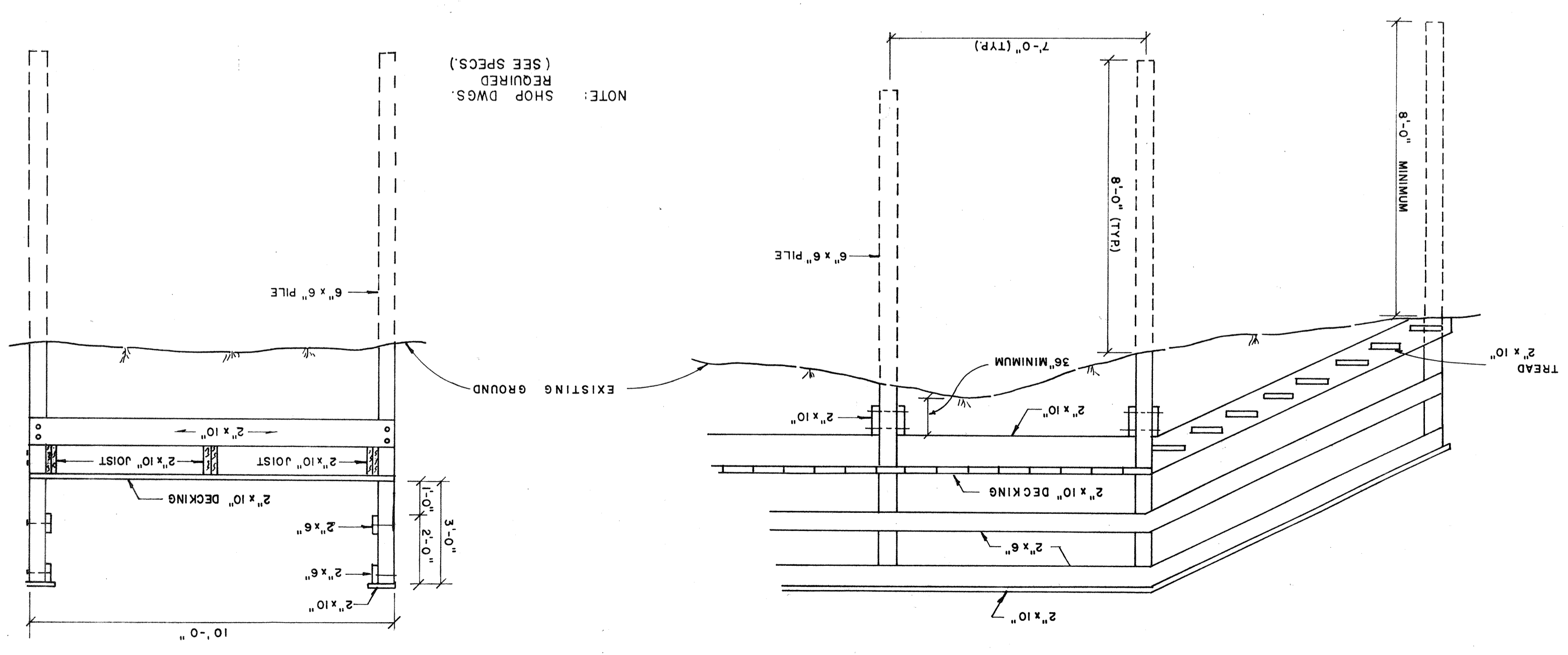


DATE	2/3
SCALE	AS SHOWN
	R

TYPICAL DUNE WALK-OVER STRUCTURE DETAIL

SCALE: 3/8" = 1'-0"



NOTE: SHOP DWGS. REQUIRED (SEE SPECS.)