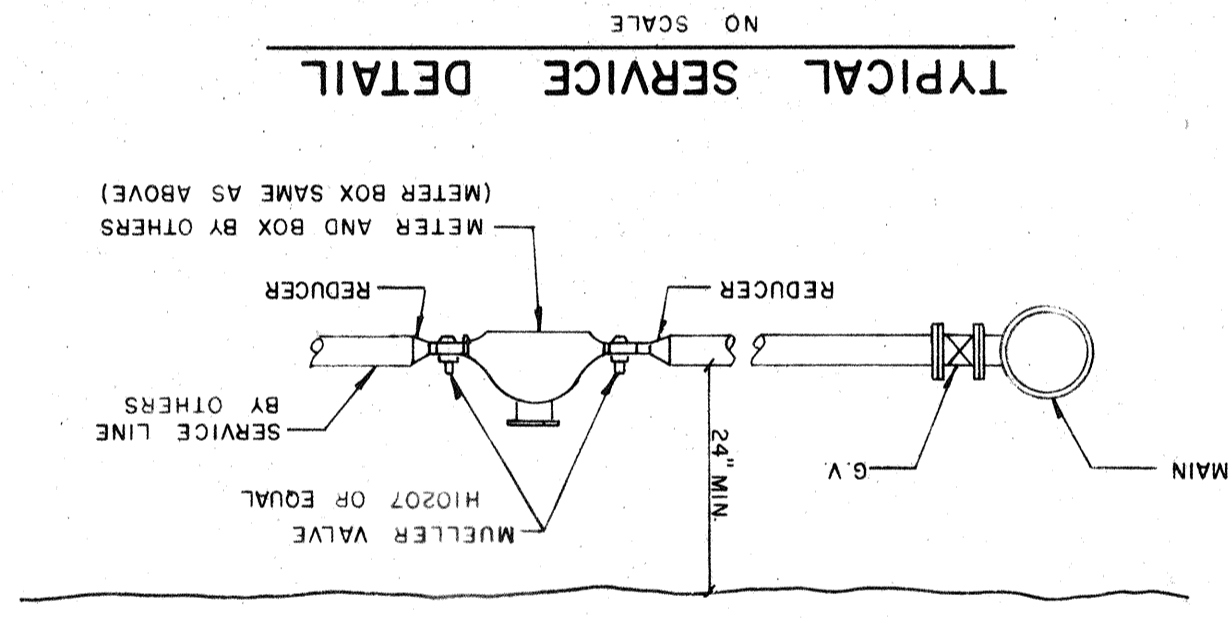


PIPE SIZE	OUTSIDE DIA. METERS	SDR/CLASS	MINIMUM BENDING RADIUS
12" PVC	13.20"	18/150	330 FT.
10" PVC	11.10"	18/150	278 FT.
8" PVC	9.50"	18/150	238 FT.
6" PVC	6.90"	18/150	173 FT.
4" PVC	4.80"	18/150	120 FT.

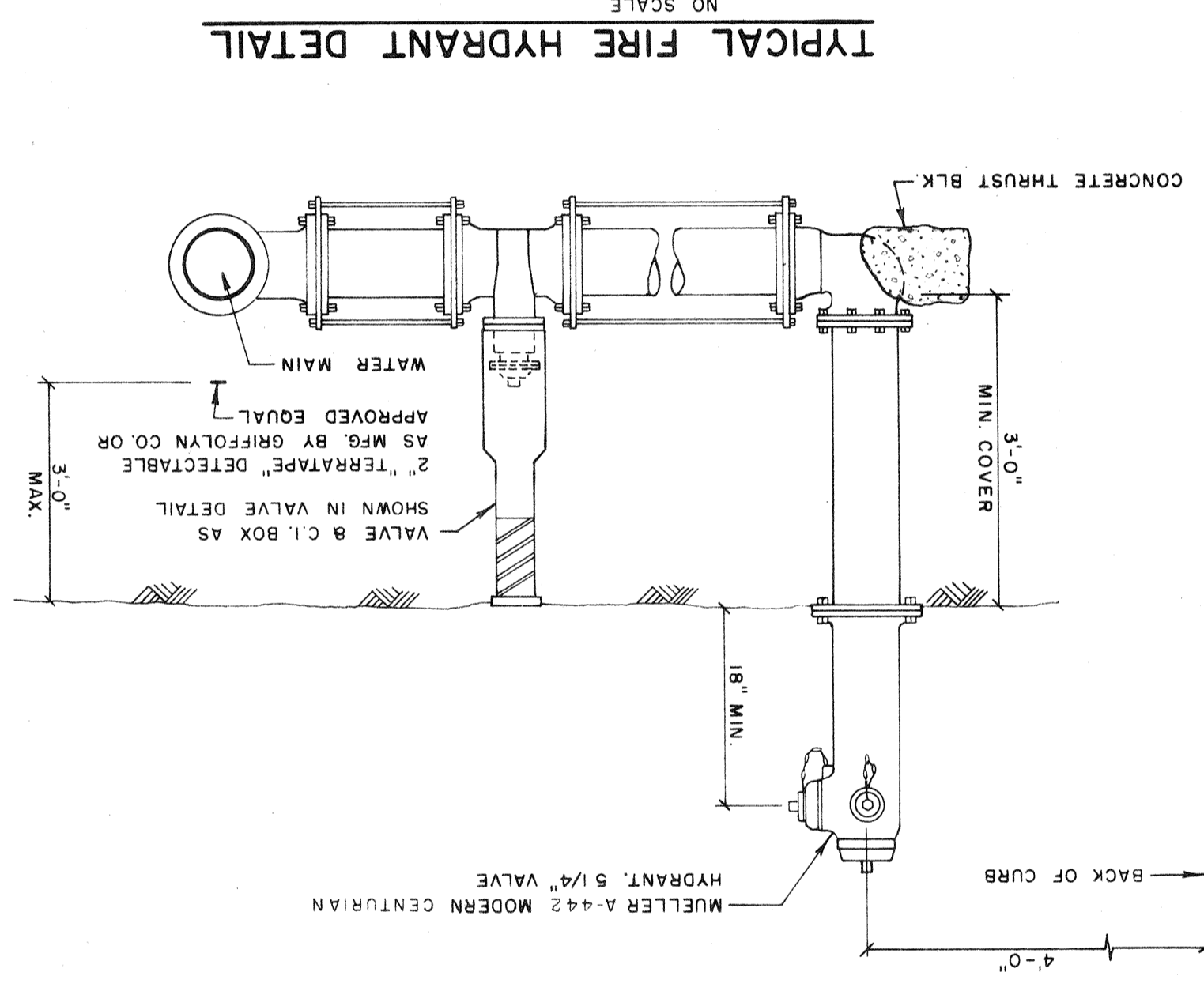
BENDING RADIUS

NOTE:  
1. ALL PVC WATER MAIN SHALL BE COLOR CODED BLUE WITH CLASSIFICATION SDR-17, WITH 36" COVER AND DETECTABLE TAPE

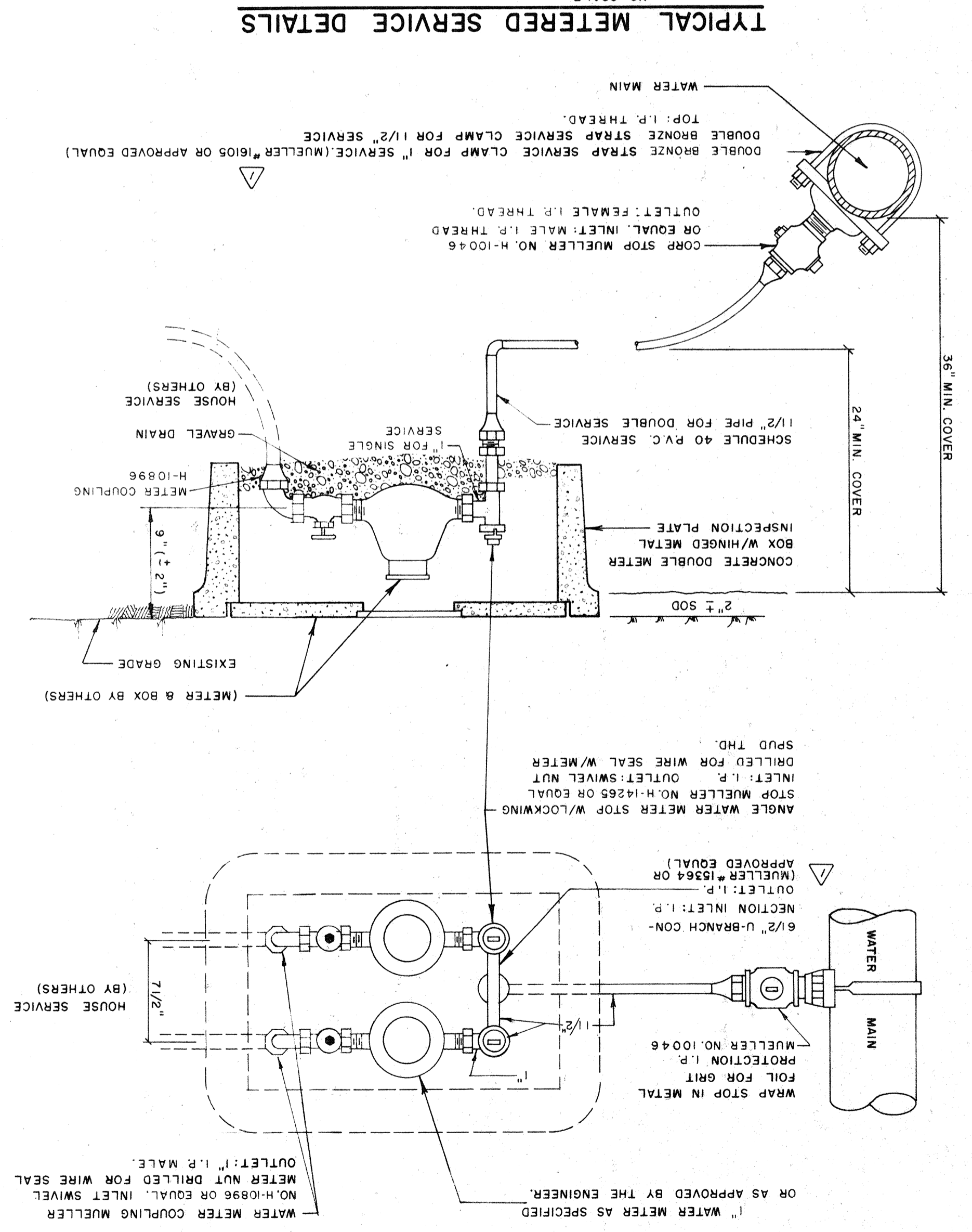
TYPICAL SERVICE DETAIL



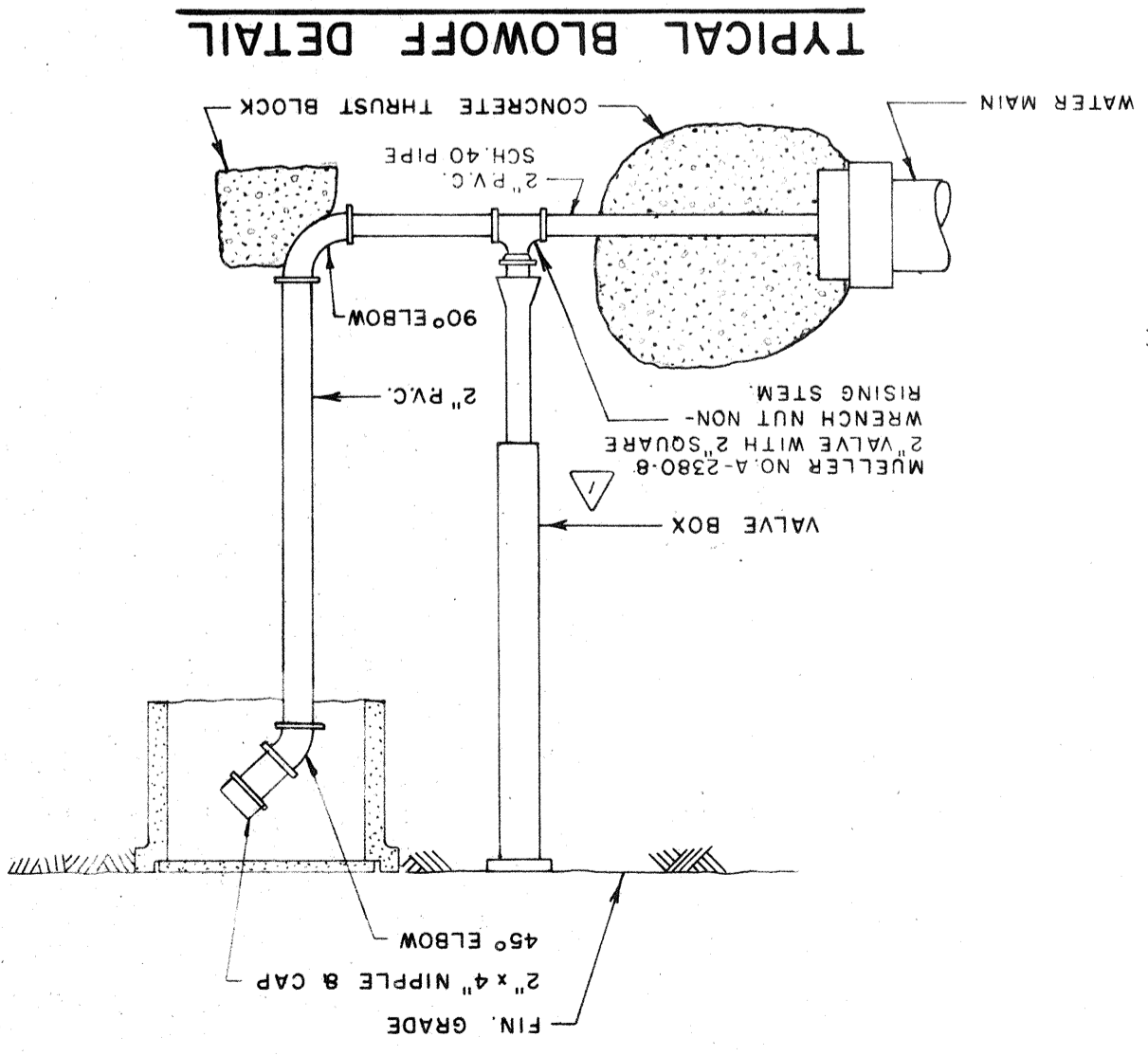
TYPICAL FIRE HYDRANT DETAIL



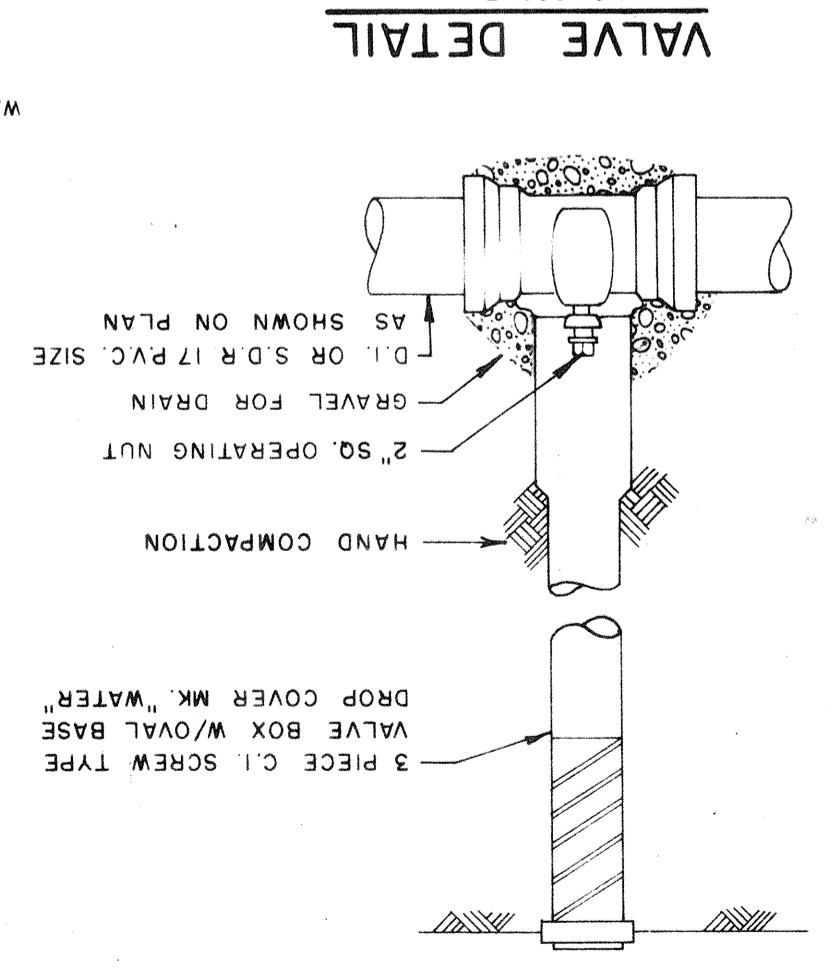
TYPICAL METERED SERVICE DETAILS



TYPICAL BLOWOFF DETAIL



VALVE DETAIL



WATER MAIN THRUST BLOCKS

SIZE	TEE	90° BEND	45° BEND	22 1/2° BEND
10"	10.0	14.0	7.0	5.0
8"	7.0	10.0	5.0	3.0
6"	4.0	5.5	3.0	1.5
4"	1.9	2.0	1.0	1.0

THRUST BLOCK AREAS IN SQ. FT.  
AREAS DETERMINED BY CONC. CONTACT WITH UNDISTURBED MATERIAL

