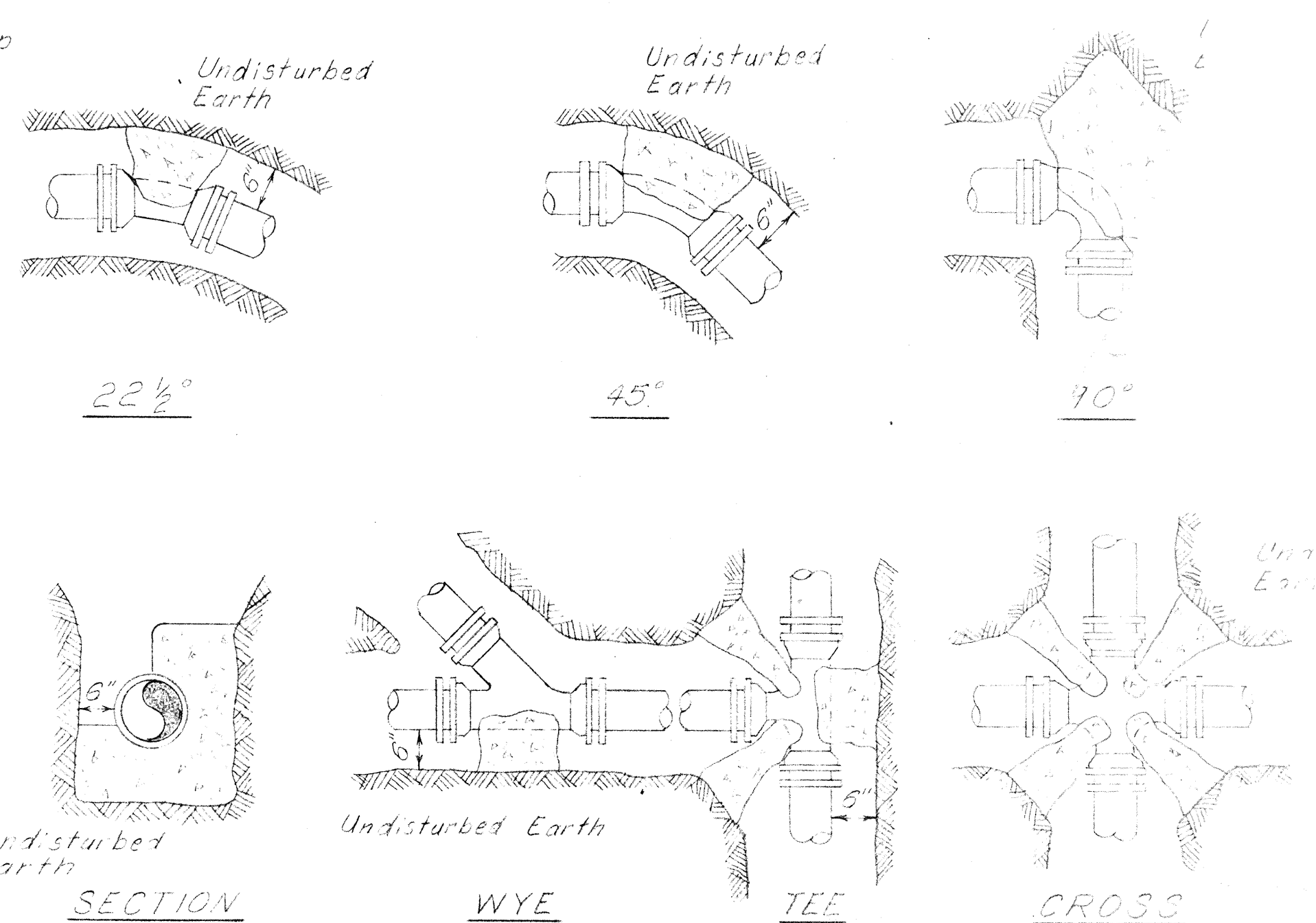


TYPICAL BLOWOFF DETAIL
No Scale

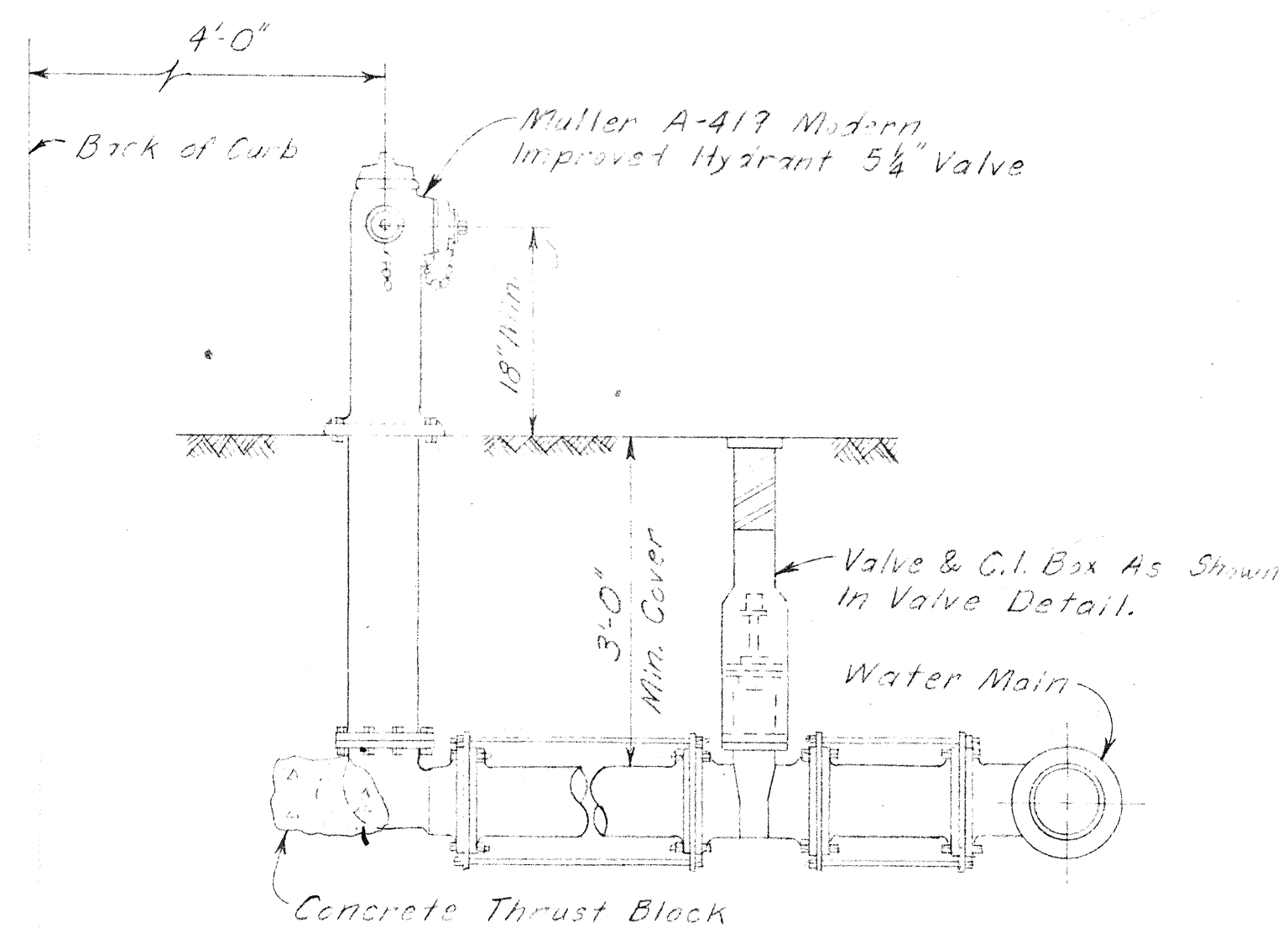


THRUST BLOCK AREAS IN SQ. FT.

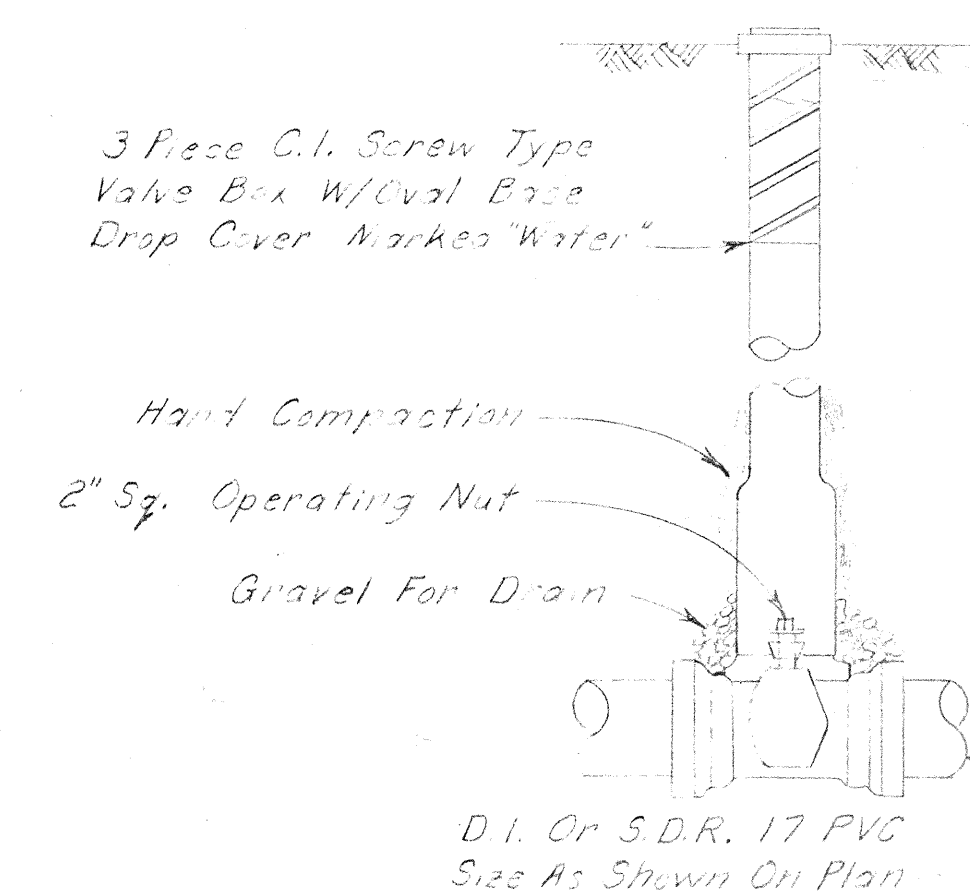
Pipe Size	Tee	70° Bend	45° Bend	22 1/2° Bend
4	1.5	2.0	1.0	1.0
6	4.0	5.5	3.0	1.5
8	7.0	10.0	5.5	3.0

Thrust Block Area Determined By Concrete Content With Undisturbed Earth.

PRESSURE MAIN THRUST BLOCKS
No Scale



TYPICAL FIRE HYDRANT
No Scale



VALVE DETAIL
No Scale

NOTE:
3'-0" minimum cover on all water mains.

WATER SUPPLY DETAILS

ISSUED 7-10-16
 REVISED 8-7-77
 EDWARD J. SEIBERT
 BEACH
 ARCHITECT & PLANNER, PA
 BENNETT