



Prepared By: Florida Shoreline and Foundation
 4561 Clark Rd., Sarasota, FL 34233
 www.shorelineandfoundation.com
 941-927-1410 CBC 1260841 - SCC 131151783

Scale:
 3/8" = 1'

Drawing Date:
 Sept 17, 2024

Typical Residential Deck with 4"x4" posts

Pile Cap (header) and Bolt Chart Design Live Load of 40 PSF

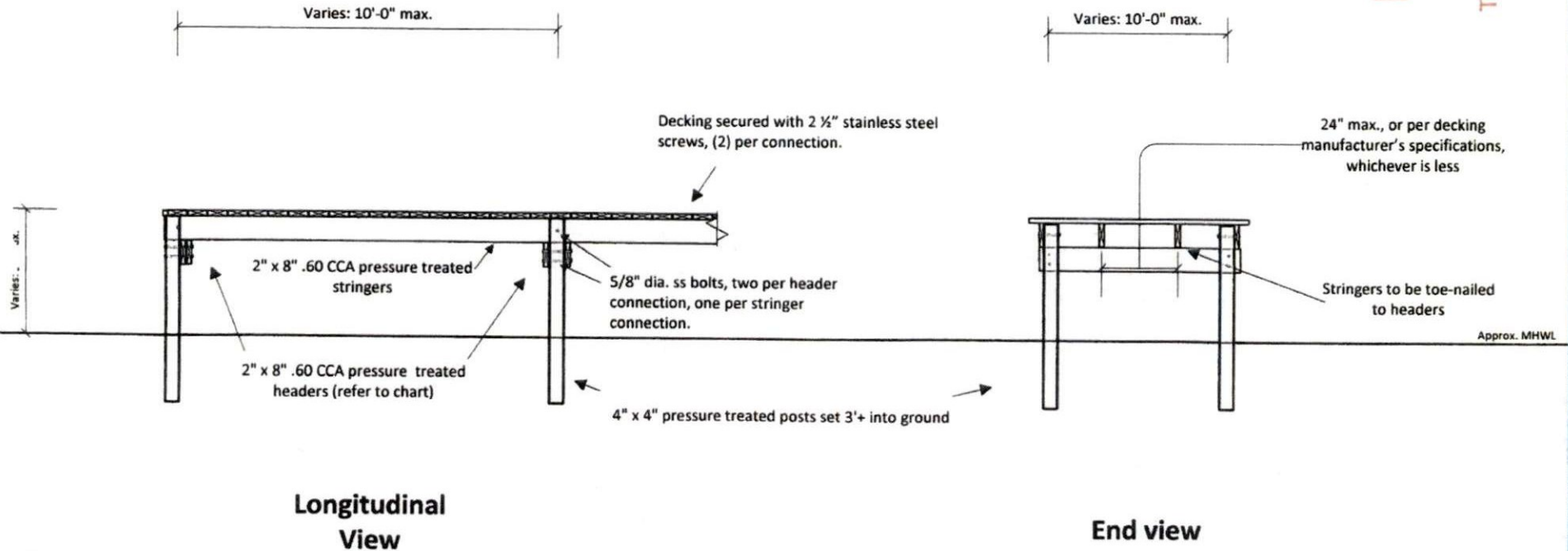
For 12' Longitudinal Spacing			For 10' Longitudinal Spacing		
Pile width: ft	Cap size: in	Bolt size: in	Pile width: ft	Cap size: in	Bolt size: in
4' or less	(2) 2" x 8"	(2) 5/8" dia	4' or less	(2) 2" x 8"	(2) 5/8" dia
6'	(2) 2" x 8"	(2) 5/8" dia	6'	(2) 2" x 8"	(2) 5/8" dia
8'	(2) 2" x 8"	(2) 5/8" dia	8'	(2) 2" x 8"	(2) 5/8" dia
10'	(2) 2" x 12"	(2) 5/8" dia	10'	(2) 2" x 10"	(2) 5/8" dia
12'	(2) 3" x 12"	(2) 3/4" dia	12'	(2) 2" x 12"	(2) 3/4" dia

When constructed as shown, this structure will withstand loads associated with wind speeds of 160 MPH, and is in compliance with Florida Building Code, 8th Edition – 2023, and all local amendments

- Headers and stringers to be SYP 2" x 8" .60 CCA pressure treated S4S timbers, or better
- Header connection to pilings to utilize (2) 5/8" stainless steel bolts
- Stringer connection to piling to utilize (1) 5/8" stainless steel bolt

RECEIVED
 JUL 30 2025
 TOWN OF LONGBOAT KEY
 Planning, Zoning & Building

RECEIVED
 MAR 07 2025
 TOWN OF LONGBOAT KEY
 Planning, Zoning & Building





Prepared By: Florida Shoreline and Foundation
4561 Clark Rd., Sarasota, FL 34233
www.shorelineandfoundation.com
941-927-1410 CBC 1260841

Scale:
3/8" = 1'

DECK CROSS SECTION, AROUND POOL

Permit # PB25-0514
REVIEWED FOR CODE COMPLIANCE
LONGBOAT KEY BUILDING DEPT.

JUN 18 2025

APPROVED
Reviewer:

JOB SITE

